



U.S. Tsubaki Power Transmission, LLC

301 E. Marquardt Dr.

Wheeling, IL 60090

Phone: 847.459.9500 or 800.323.7790

Fax: 847.459.9515

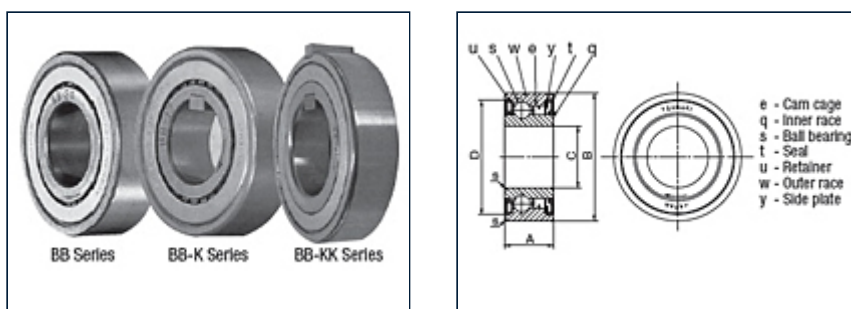
Email: sales@ustsubaki.com

Website: www.ustsubaki.com

[All Categories](#) > [Backstops & Clutches](#) > [Overrunning & General Applications](#) > [BB Series Cam Clutch](#) > Item # BB30

ITEM # BB30, BB-30 MM BORE CAM CLUTCH

BB Series Cam Clutches are a combination of a 62 Series ball bearing and a cam style clutch. These units are designed for press fit applications and are available in five variations, combinations of metal shield or dust protective sealed type and with or without keyways on the inner and/or outer race to allow design and application flexibility. BB Series units come grease lubricated but metal shielded style can be adapted for oil bath lubrication.



Specifications

Torque Capacity	103.3 lb·ft 140.0 N·m
Max. Overrunning Inner Race	2000 rpm
Max. Overrunning Outer Race	1100 rpm
Drag Torque	0.022 lb·ft 0.03 N·m

Construction	Metal shield on one side, retainer on other side.
A (Overall Width)	0.630 in 16.00 mm
B (Overall Diameter)	2.441 in 62.00 mm
C (Bore Size)	1.181 in 30.00 mm
D (Outer Race I.D.)	2.228 in 55.00 mm
S (Chamfer)	0.039 in 1.00 mm
Dynamic Bearing Loads	2675 lbf 11900 N
Static Bearing Loads	1776 lbf 7900 N
Weight	0.500 lb 0.230 kg