


**CATALOG NOMENCLATURE:**

XPIH XXXXX

└── HOUSING OPTIONS  
 "CATALOG OPTIONS" ON SHEET 2

**CERTIFICATIONS:**

CLASS I, DIVISIONS 1 & 2, GROUPS B, C, D  
 CLASS II, DIVISIONS 1 & 2, GROUPS E, F, G  
 CLASS III  
 ENCLOSURE NEMA TYPE 4, TYPE 4X, 7BCD, 9EFG  
 UL STANDARD 1203  
 UL STANDARD 50.  
 CSA C22.2 NO. 25 & 30

|   |  |  |        |   |            |
|---|--|--|--------|---|------------|
| <b>GENERAL NOTES</b>  |  | <br>A Member of the ABB Group |        |   |            |
| 1. ALL DIMENSIONS ARE FOR REFERENCE ONLY.<br>2. DIMENSIONS IN BRACKETS [ ] ARE IN METRIC UNITS. |  |  |        |   |            |
| <b>REVISIONS</b>  |  | DESCRIPTION: <b>OUTLINE FOR XPIH SERIES EXPLOSION<br/>                 PROOF INSTRUMENT HOUSING, MAGELLAN</b>      |        |   |            |
| ** SEE ERN ( **** ) FOR APPROVAL SIGNATURES & RELEASE DATE.<br>PROJECT NO: ****                 |  |  |        |   |            |
|   |  | 137D000949 / ( 2017993 )   | 1 OF 7 | 0 | WSD-001639 |

# INSTRUMENT, EQUIPMENT AND METER ENCLOSURES

## XPIH SERIES INSTRUMENT HOUSING ENCLOSURES


| XPIH EXPLOSION PROOF INSTRUMENT HOUSING CATALOG NUMBER CONSTRUCTION |                   |                       |                          |                   |                       |                          |
|---|-------------------|-----------------------|--------------------------|-------------------|-----------------------|--------------------------|
| BASE NUMBER   | SUFFIX            |                       |                          |                   |                       |                          |
| EXPLOSION PROOF INSTRUMENT HOUSING                                  | FCX<br>FLAT COVER | MCX<br>MID SIZE COVER | FGCX<br>FLAT GLASS COVER | DCX<br>DOME COVER | ECX<br>EXTENDED COVER | DGCX<br>DOME GLASS COVER |
| XPIHL<br>SINGLE END - LARGE - 4" ID                                 | XPIHLFCX          | 0                     | XPIHLFGCX                | XPIHLDCX          | XPIHLECX              | XPIHLDGCX                |
| XPIHLD<br>DOUBLE END - LARGE - 4" ID                                | XPIHLDFCX         | 0                     | XPIHLDFGCX               | XPIHLDDCX         | XPIHLDECX             | XPIHLDDGCX               |
| XPIHM<br>SINGLE END - MEDIUM SIZE - 3 5/8" ID                       | XPIHMF CX         | XPIHM MCX             | XPIHMF GCX               | XPIHM DCX         | 0                     | XPIHMD GCX               |
| XPIHMD<br>DOUBLE END - MEDIUM SIZE - 3 5/8" ID                      | XPIHMD FCX        | XPIHMD MCX            | XPIHMD FGCX              | XPIHMD DCX        | 0                     | XPIHMDD GCX              |
| XPIH *<br>SINGLE END SMALL/MED SIZE MINI - 3 3/16" ID               | XPIHF CX          | 0                     | XPIHF GCX                | XPIH DCX          | 0                     | XPIHD GCX                |
| XPIHD<br>DOUBLE END - 3 3/16" ID                                    | XPIHD FCX         | 0                     | XPIHD FGCX               | XPIHD DCX         | 0                     | XPIHDD GCX               |
| XPIH 2L 3 LUG<br>SINGLE END/CAST 3 LUG - VIBRATION - 3 3/16" ID     | XPIHF CX2L3LUG    | 0                     | XPIHF GCX2L3LUG          | XPIH DCX2L3LUG    | 0                     | XPIHD GCX2L3LUG          |
| XPIHN<br>DIECAST - 4 1/16" ID                                       | XPIHN FCX         | 0                     | XPIHN FGCX               | XPIHN DCX         | 0                     | XPIHND GCX               |
| XPIHX<br>STAINLESS STEEL - 4 1/16" ID                               | XPIHX FCX         | 0                     | XPIHX FGCX               | XPIHX DCX         | 0                     | XPIHXD GCX               |

|  |                            |                      |                                  |
|--|----------------------------|----------------------|----------------------------------|
| <b>Thomas &amp; Betts</b>  |                            |                      |                                  |
| A Member of the ABB Group  |                            |                      |                                  |
| <a href="http://www.tnb.com">www.tnb.com</a>   |                            |                      |                                  |
| DESCRIPTION: <b>OUTLINE FOR XPIH SERIES EXPLOSION<br/>PROOF INSTRUMENT HOUSING, MAGELLAN</b> |                            |                      |                                  |
|  | SHEET NO:<br><b>2 OF 7</b> | REV. NO:<br><b>0</b> | DRAWING NO:<br><b>WSD-001639</b> |

# INSTRUMENT, EQUIPMENT AND METER ENCLOSURES

## XPIH SERIES INSTRUMENT HOUSING ENCLOSURES

| QUICK REFERENCE CHART FOR INSTRUMENT HOUSINGS  |  |   |   |   |  |  |  |  |  |
|--|--|---|---|---|--|--|--|--|--|
| TNB CATALOG #  | XPIHL  | XPIHLD1, 2  | XPIHM   | XPIHMD1, 2  | XPIH   | XPIHD  | XPIH 2L3LUG  | XPIHN  | XPIHX  |
| SINGLE OR DOUBLE SIDED   | SINGLE   | DOUBLE  | SINGLE  | DOUBLE  | SINGLE   | DOUBLE   | SINGLE   | SINGLE   | SINGLE   |
| DIAMETER SIZE RELATIVE   | LARGE  | LARGE   | MEDIUM  | MEDIUM  | STANDARD   | STANDARD   | SMALL-MEDIUM   | LARGE  | LARGE  |
| THROAT DIAMETER 1D   | 4.00"  | 4.00"   | 3.56"4  | 3.63"   | 3.19"  | 3.19"  | 3.19"  | 4.60"  | 4.60"  |
| GLASS COVER VIEWING DIAMETER   | 3.31"  | 3.31"   | 2.63"   | 2.63"   | 2.63"  | 2.63"  | 2.63"  | 3.31"  | 3.31"  |
| UL   | B,C,D  | B,C,D   | B,C,D   | B,C,D   | B,C,D  | B,C,D  | B,C,D  | B,C,D  | B,C,D  |
| CANADIAN   | CUL,B,C,D  | CUL,B,C,D   | CUL,B,C,D   | CUL,B,C,D   | CUL,B,C,D  | CUL,B,C,D  | CUL,B,C,D  | CUL,B,C,D  | CUL,B,C,D  |
| FM   | B,C,D  | B,C,D   | B,C,D   | B,C,D   | B,C,D  | B,C,D  | B,C,D  | N/A  | N/A  |
| ATEX/IECEX EXD   | YES-IIC  | YES-IIB+H2  | YES-IIC   | YES-IIB+H2  | YES-IIC  | YES-IIC  | YES-IIC  | YES-IIC  | YES-IIC  |
| NEMA TYPE 4X & IP66  | BOTH   | BOTH  | BOTH  | BOTH  | BOTH   | BOTH   | BOTH   | BOTH   | BOTH   |
| DIVIDING WALL PENETRATE/REMOVE   | N/A  | YES-1/2"THICK   | N/A   | YES-1/2"THICK   | N/A  | YES-3/8"THICK  | N/A  | N/A  | N/A  |
| MATERIAL   | NOTE 6   | NOTE 6  | NOTE 6  | NOTE 6  | NOTE 6   | NOTE 6   | NOTE 6   | DIE CAST ALUMINUM  | CAST 316L STAINLESS STEEL  |
| CAST.MTG.FEET  | YES  | NO  | OPTIONAL NOTE 5   | NO  | OPTIONAL NOTE 5  | NO   | YES 3 + NOTE 5   | YES, 2+ OPTIONAL 3RD   | YES, 2+ OPTIONAL 3RD   |
| POWDER COAT STD./FINISH  | YES  | YES   | YES   | YES   | YES  | YES  | YES  | NO-NATURAL   | NO-NATURAL   |
| POWER SIDE TERMINAL STRIP WITH SEALED PASSTHROUGH DIVIDING WALL TO INSTRUMENT SIDE   | N/A  | YES, 2- TO 12-POINT, (ADD SUFFIX "2T", "4T", "1", "8T", "10T" OR "12T" TO CATALOG NUMBER)?                      | N/A   | YES, 2- TO 8-POINT, (ADD SUFFIX "2T", "4T", "6T" OR "8T" TO CATALOG NUMBER)                   | N/A  | YES, 2- TO 4-POINT, (ADD SUFFIX "2T" OR "4T" TO CATALOG NUMBER)                                    | N/A  | N/A  | N/A  |
| INTERIOR MOUNTING MEANS  | VERSATILE THICKWALL  | VERSATILE THICKWALL   | VERSATILE THICKWALL   | VERSATILE THICKWALL   | BOSSES Ø450  | VERSATILE THICKWALL  | BOSSES   | REMOVABLE MTG.PAN  | REMOVABLE MTG.PAN  |
| EXTERIOR MOUNTING MEANS:   | NOTE 3   | NOTE 3  | NOTE 3  | NOTE 3  | NOTE 3   | NOTE 3   | NOTE 3   | TWO CAST-ON CENTERED MOUNTING TABS, NOTE 3   | TWO CAST-ON CENTERED MOUNTING TABS, NOTE 3   |
| BACKWALL ENTRY   | NPT,NPSM,METRIC  | N/A   | NPT   | N/A   | CONSULT FACTORY  | N/A  | NPT  | NPT,METRIC   | NPT,METRIC   |
| FRONT BOSS ENTRY   | NPT,NPSM,METRIC  | NPT,NPSM,METRIC   | NPT,NPSM,METRIC   | NPT,NPSM,METRIC   | NPT,NPSM,METRIC  | NPT,NPSM,METRIC  | YES,HUB  | NPT,NPSM,METRIC  | NPT,NPSM,METRIC  |
| CONDUIT ENTRY FEEDTHROUGH HUBS, OFFSET FOR MAXIMUM CLEARANCE AND CAPACITY  | 3/4" NPT   | 3/4" NPT SEE NOTE 4   | 3/4" NPT  | 3/4" NPT SEE NOTE 4   | 1/2" OR 3/4" NPT   | 3/4" NPT   | 1/2" OR 3/4" NPT   | 2-3/4" STANDARD UP TO 4 TOTAL  | 3-3/4" STANDARD UP TO 5 TOTAL  |
| FRONT BOSS AND/OR BACK WALL MODIFICATIONS:   | 1/2" TO 1" NPT, 1/2" TO 2/4" NPSM OR 20mm FOR SENSOR, PROBE OR CONDUIT ENTRY, CONSULT FACTORY FOR OTHER SIZES. | 1/2", 3/4" OR 1" NPT; 1/2", 3/4" OR 1" NPSM; OR 20mm, 25mm OR 30mm ENTRY FOR SENSOR, PROBE OR CONDUIT AVAILABLE | 1/2", 3/4" OR 1" NPT; 1/2", 3/4" OR 1" NPSM; OR 20mm, 25mm OR 30mm ENTRY FOR SENSOR, PROBE OR CONDUIT | 1/2", 3/4" OR 1" NPT; 1/2", 3/4" OR 1" NPSM; OR 20mm, 25mm ENTRY FOR SENSOR, PROBE OR CONDUIT | 1/2" OR 3/4" NPT & VARIOUS NPSM & METRIC ENTRIES AVAILABLE IN PLACE OF STANDARD 1/2" NPT (CONSULT FACTORY) | 1/2" NPT & VARIOUS NPSM & METRIC ENTRIES AVAILABLE IN PLACE OF STANDARD 1/2" NPT (CONSULT FACTORY) | 1/2" OR 3/4" NPT & VARIOUS NPSM & METRIC ENTRIES AVAILABLE IN PLACE OF STANDARD 1/2" NPT (CONSULT FACTORY) | 1/2", 3/4" OR 1" NPT AND NPSM; OR VARIOUS METRIC ENTRY FOR SENSOR, PROBE, OR CONDUIT AVAILABLE | 1/2", 3/4" OR 1" NPT AND NPSM; OR VARIOUS METRIC ENTRY FOR SENSOR, PROBE, OR CONDUIT AVAILABLE |
| 1 - INTERNAL WALL CAN BE MODIFIED (DRILLED AND TAPPED) TO SUIT DESIGN NEEDS, OR TO BE COMPLETELY REMOVED AND STILL MAINTAIN APPROVALS. PLEASE CONSULT FACTORY. |  |   |   |   |  |  |  |  |  |
| 2 - POWER SIDE (SHALLOW SIDE) COVER OPTIONS: FLAT SOLID - STANDARD; DOME GLASS - ADD SUFFIX "A"; FLAT GLASS - ADD SUFFIX "B"; DOME SOLID - ADD SUFFIX "C".     |  |   |   |   |  |  |  |  |  |
| 3 - FOUR 1/4-20 UNC HOLES IN FRONT BOSS FOR BRACKET MOUNTING (CONSULT FACTORY FOR OTHER SIZES)   |  |   |   |   |  |  |  |  |  |
| 4 - FRONT BOSS WITH 3/4" NPT OPENING INTO INSTRUMENT SIDE FOR CONDUIT, SENSOR OR PROBE (SEE DESIGN OPTIONS FOR OTHER SIZES)                                    |  |   |   |   |  |  |  |  |  |
| 5 - MOUNTING LUGS WITH 5/16" HOLES (ADD SUFFI X "L" TO CATALOG NUMBER)   |  |   |   |   |  |  |  |  |  |
| 6 - PRECISION MACHINED FROM SAND-CAST COPPER-FREE ALUMINUM, STAINLESS STEEL HARDWARE   |  |   |   |   |  |  |  |  |  |



**Thomas & Betts**  
A Member of the ABB Group

www.tnb.com

DESCRIPTION: **OUTLINE FOR XPIH SERIES EXPLOSION PROOF INSTRUMENT HOUSING, MAGELLAN**

|                            |                      |                                  |
|----------------------------|----------------------|----------------------------------|
| SHEET NO:<br><b>3 OF 7</b> | REV. NO:<br><b>0</b> | DRAWING NO:<br><b>WSD-001639</b> |
|----------------------------|----------------------|----------------------------------|

# INSTRUMENT, EQUIPMENT AND METER ENCLOSURES ENCLOSURE DIMENSIONS

## SOLID COVER ARRANGEMENTS

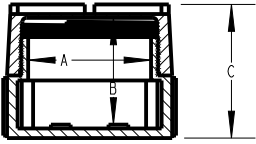


FIG 1

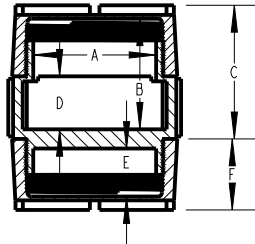


FIG 2

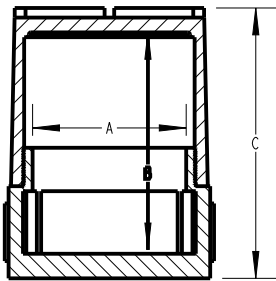


FIG 5

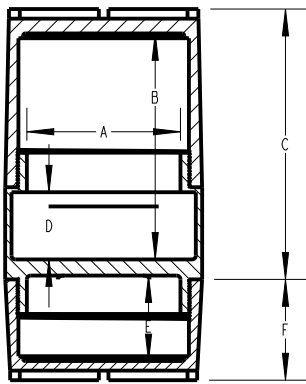


FIG 6

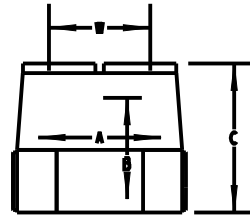


FIG 3

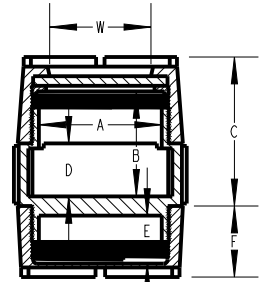


FIG 4

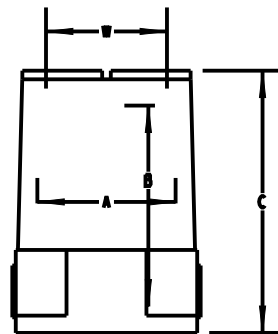


FIG 7

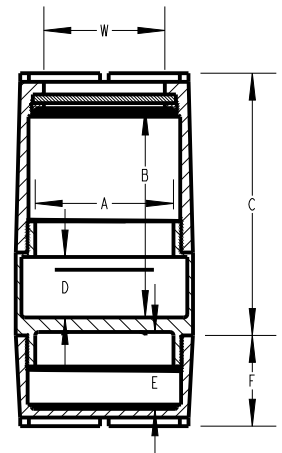


FIG 8

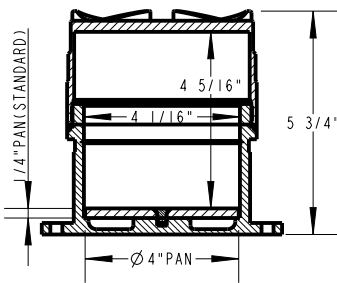


FIG 9

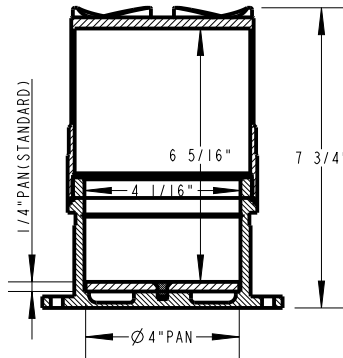


FIG 10

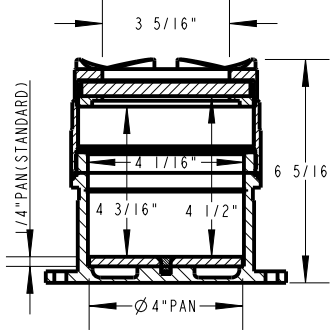


FIG 11

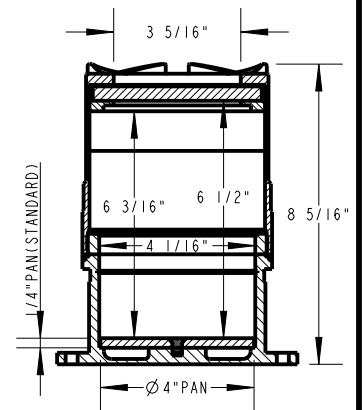


FIG 12

## GLASS COVER ARRANGEMENTS

**Thomas & Betts**  
A Member of the ABB Group

www.tnb.com

DESCRIPTION: **OUTLINE FOR XPIH SERIES EXPLOSION  
PROOF INSTRUMENT HOUSING, MAGELLAN**

SHEET NO:  
4 OF 7

REV. NO:  
0

DRAWING NO:  
WSD-001639

# INSTRUMENT, EQUIPMENT AND METER ENCLOSURES ENCLOSURE DIMENSIONS

| CATALOG NUMBER | FIGURE | A<br>(UPPERTHRO) | B<br>(UPINHEIGHT) | C<br>(EXTHEIGHT) | D<br>(DUBLUPHEIGHT) | E<br>(DDBLOWER) | F<br>(DDBLOWEXT) | W<br>(VIEWINGD) |
|----------------|--------|------------------|-------------------|------------------|---------------------|-----------------|------------------|-----------------|
| XP1HFCX2       | 1      | 3 3/16"          | 2 9/16"           | 3 7/16"          | -                   | -               | -                | -               |
| XP1HFCX3       | 1      | 3 3/16"          | 2 9/16"           | 3 7/16"          | -                   | -               | -                | -               |
| XP1HFGCX2      | 3      | 3 3/16"          | 2 3/16"           | 3 13/16"         | -                   | -               | -                | 2 5/8"          |
| XP1HFGCX3      | 3      | 3 3/16"          | 2 3/16"           | 3 13/16"         | -                   | -               | -                | 2 5/8"          |
| XP1HDCX2       | 5      | 3 3/16"          | 4 15/16"          | 5 13/16"         | -                   | -               | -                | -               |
| XP1HDCX3       | 5      | 3 3/16"          | 4 15/16"          | 5 13/16"         | -                   | -               | -                | -               |
| XP1HDGCX2      | 7      | 3 3/16"          | 4 7/16"           | 6"               | -                   | -               | -                | 2 5/8"          |
| XP1HDGCX3      | 7      | 3 3/16"          | 4 7/16"           | 6"               | -                   | -               | -                | 2 5/8"          |
| XP1HFCX2L3LUG  | 1      | 3 3/16"          | 2 9/16"           | 3 3/4"           | -                   | -               | -                | -               |
| XP1HFGCX2L3LUG | 3      | 3 3/16"          | 2 3/16"           | 4 1/8"           | -                   | -               | -                | 2 5/8"          |
| XP1HDCX2L3LUG  | 5      | 3 3/16"          | 4 15/16"          | 6 1/8"           | -                   | -               | -                | -               |
| XP1HDGCX2L3LUG | 7      | 3 3/16"          | 4 7/16"           | 6 5/16"          | -                   | -               | -                | 2 5/8"          |
| XP1HDFCX       | 2      | 3 3/16"          | 2 11/16"          | 3 1/2"           | 3/4"                | 1 5/16"         | 1 7/8"           | -               |
| XP1HDFGCX      | 4      | 3 3/16"          | 2 5/16"           | 3 7/8"           | 3/4"                | 1 5/16"         | 1 7/8"           | 2 5/8"          |
| XP1HDDCX       | 6      | 3 3/16"          | 5 1/16"           | 5 7/8"           | 3/4"                | 1 5/16"         | 1 7/8"           | -               |
| XP1HDDGCX      | 8      | 3 3/16"          | 4 9/16"           | 6 1/16"          | 3/4"                | 1 5/16"         | 1 7/8"           | 2 5/8"          |
| XP1HMFCX       | 1      | 3 9/16"          | 3 5/16"           | 4 1/4"           | -                   | -               | -                | -               |
| XP1HMMCX       | 1      | 3 9/16"          | 4"                | 5 1/16"          | -                   | -               | -                | -               |
| XP1HMFGCX      | 3      | 3 9/16"          | 3 1/16"           | 4 3/4"           | -                   | -               | -                | 2 5/8"          |
| XP1HMDCX       | 5      | 3 9/16"          | 6 11/16"          | 7 5/8"           | -                   | -               | -                | -               |
| XP1HMDGCX      | 7      | 3 9/16"          | 4 3/4"            | 6 3/8"           | -                   | -               | -                | 2 5/8"          |
| XP1HMDFCX      | 2      | 3 5/8"           | 3 5/8"            | 4 5/16"          | 1 3/16"             | 1 7/16"         | 1 15/16"         | -               |
| XP1HMDCMX      | 2      | 3 5/8"           | 4"                | 5"               | 1 3/16"             | 1 7/16"         | 1 15/16"         | -               |
| XP1HMDFGCX     | 4      | 3 5/8"           | 3 1/16"           | 4 13/16"         | 1 3/16"             | 1 7/16"         | 1 15/16"         | 2 5/8"          |
| XP1HMDDCX      | 6      | 3 5/8"           | 6 11/16"          | 7 11/16"         | 1 3/16"             | 1 7/16"         | 1 15/16"         | -               |
| XP1HMDGCX      | 8      | 3 5/8"           | 4 3/4"            | 6 7/16"          | 1 3/16"             | 1 7/16"         | 1 15/16"         | 2 5/8"          |
| XP1HLFCX       | 1      | 4"               | 4"                | 5 1/8"           | -                   | -               | -                | -               |
| XP1HLFGCX      | 3      | 4"               | 3 3/4"            | 5 5/8"           | -                   | -               | -                | 3 5/16"         |
| XP1HLDXCX      | 5      | 4"               | 6"                | 7 1/8"           | -                   | -               | -                | -               |
| XP1HLECX       | 5      | 4"               | 6 15/16"          | 8 1/16"          | -                   | -               | -                | -               |
| XP1HLDGCX      | 7      | 4"               | 5 3/4"            | 7 5/8"           | -                   | -               | -                | 3 5/16"         |
| XP1HLDFCX      | 2      | 4"               | 4"                | 5"               | 1 3/16"             | 2 1/8"          | 2 5/8"           | -               |
| XP1HLDFGCX     | 4      | 4"               | 3 3/4"            | 5 1/2"           | 1 3/16"             | 2 1/8"          | 2 5/8"           | 3 5/16"         |
| XP1HLDDCX      | 6      | 4"               | 6"                | 7"               | 1 3/16"             | 2 1/8"          | 2 5/8"           | -               |
| XP1HLDXCX      | 6      | 4"               | 6 15/16"          | 7 15/16"         | 1 3/16"             | 2 1/8"          | 2 5/8"           | -               |
| XP1HLDGCX      | 8      | 4"               | 5 3/4"            | 7 1/2"           | 1 3/16"             | 2 1/8"          | 2 5/8"           | 3 5/16"         |
| XP1HNFCX       | 1      | 4 1/16"          | 4 5/16"           | 5 3/4"           | -                   | -               | -                | -               |
| XP1HNFGCX      | 3      | 4 1/16"          | 4 3/16"           | 6 5/16"          | -                   | -               | -                | 3 5/16"         |
| XP1HNDCX       | 5      | 4 1/16"          | 6 5/16"           | 7 3/4"           | -                   | -               | -                | -               |
| XP1HNDGCX      | 7      | 4 1/16"          | 6 3/16"           | 8 5/16"          | -                   | -               | -                | 3 5/16"         |
| XP1HXFCX       | 1      | 4 1/16"          | 4 5/16"           | 5 1/2"           | -                   | -               | -                | -               |
| XP1HXFGCX      | 3      | 4 1/16"          | 4 3/8"            | 6"               | -                   | -               | -                | 3 5/16"         |
| XP1HXDCX       | 5      | 4 1/16"          | 6 5/16"           | 7 1/2"           | -                   | -               | -                | -               |
| XP1HXDGCX      | 7      | 4 1/16"          | 6 3/8"            | 8"               | -                   | -               | -                | 3 5/16"         |
| XP1HNFCX       | 9      | SEE DRAWING      |                   |                  |                     |                 |                  |                 |
| XP1HNFGCX      | 10     | SEE DRAWING      |                   |                  |                     |                 |                  |                 |
| XP1HNDCX       | 11     | SEE DRAWING      |                   |                  |                     |                 |                  |                 |
| XP1HNDGCX      | 12     | SEE DRAWING      |                   |                  |                     |                 |                  |                 |
| XP1HXFCX       | 9      | SEE DRAWING      |                   |                  |                     |                 |                  |                 |
| XP1HXFGCX      | 10     | SEE DRAWING      |                   |                  |                     |                 |                  |                 |
| XP1HXDCX       | 11     | SEE DRAWING      |                   |                  |                     |                 |                  |                 |
| XP1HXDGCX      | 12     | SEE DRAWING      |                   |                  |                     |                 |                  |                 |

**Thomas & Betts**

A Member of the ABB Group

www.tnb.com

DESCRIPTION: **OUTLINE FOR XPIH SERIES EXPLOSION  
PROOF INSTRUMENT HOUSING, MAGELLAN**

SHEET NO:  
**5 OF 7**

REV. NO:  
**0**

DRAWING NO:  
**WSD-001639**

**INSTRUMENT, EQUIPMENT AND METER ENCLOSURES**  
**BODY DIMENSIONS**

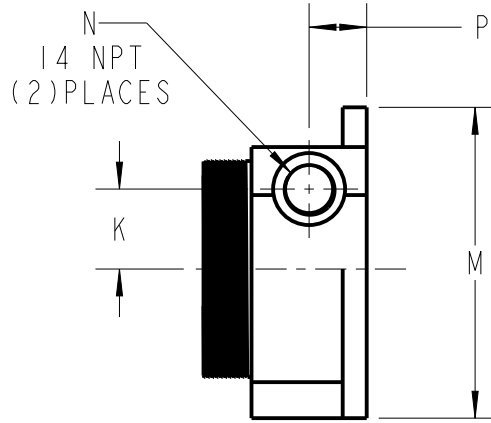
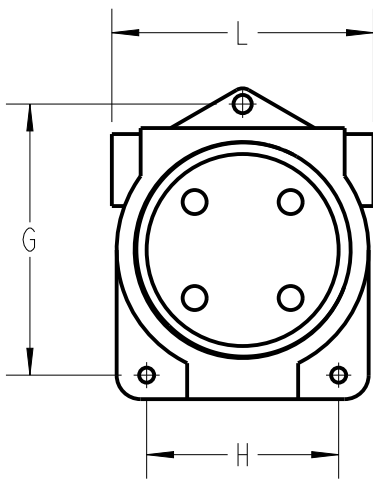


FIG 13

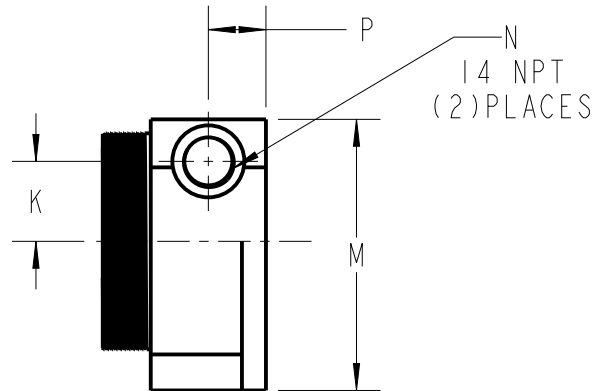
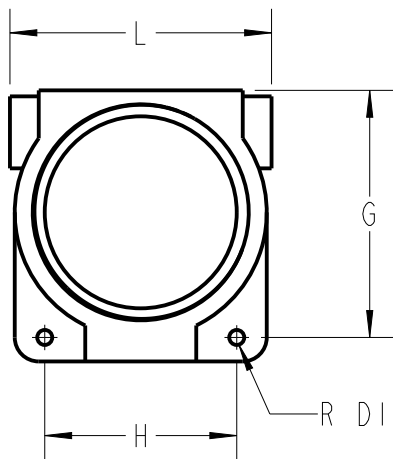


FIG 14

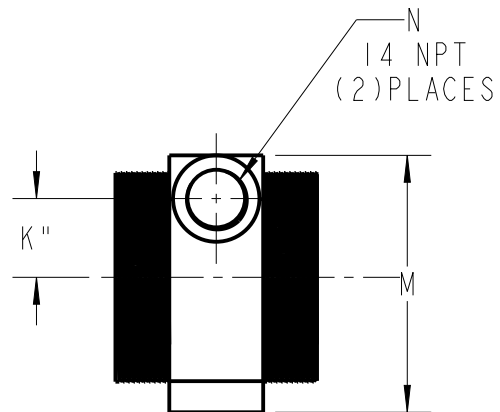
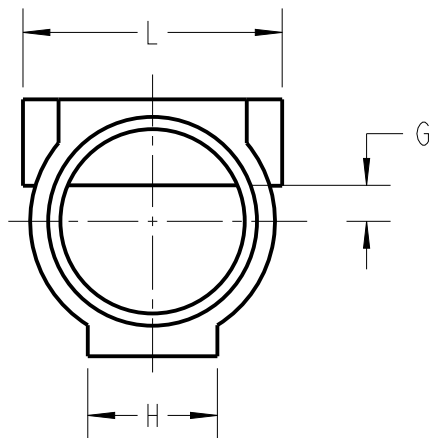


FIG 15

www.tnb.com

**Thomas & Betts**

A Member of the ABB Group

DESCRIPTION: **OUTLINE FOR XPIH SERIES EXPLOSION  
 PROOF INSTRUMENT HOUSING, MAGELLAN**

SHEET NO:  
6 OF 7

REV. NO:  
0

DRAWING NO:  
**WSD-001639**

# INSTRUMENT, EQUIPMENT AND METER ENCLOSURES

## BODY DIMENSIONS

| CATALOG NUMBER | BODY DIM | G       | H       | K        | L       | M        | N      | P       | R              |
|----------------|----------|---------|---------|----------|---------|----------|--------|---------|----------------|
| XPIHFCX2       | 14       | 4 1/8"  | 3 1/4"  | 1 7/16"  | 4 1/2"  | 4 13/16" | 1/2-14 | 3/4"    | 5/16" OPTIONAL |
| XPIHFCX3       | 14       | 4 1/8"  | 3 1/4"  | 1 7/16"  | 4 1/2"  | 4 13/16" | 3/4-14 | 3/4"    | 5/16" OPTIONAL |
| XPIHFGCX2      | 14       | 4 1/8"  | 3 1/4"  | 1 7/16"  | 4 1/2"  | 4 13/16" | 1/2-14 | 3/4"    | 5/16" OPTIONAL |
| XPIHFGCX3      | 14       | 4 1/8"  | 3 1/4"  | 1 7/16"  | 4 1/2"  | 4 13/16" | 3/4-14 | 3/4"    | 5/16" OPTIONAL |
| XPIHDCX2       | 14       | 4 1/8"  | 3 1/4"  | 1 7/16"  | 4 1/2"  | 4 13/16" | 1/2-14 | 3/4"    | 5/16" OPTIONAL |
| XPIHDCX3       | 14       | 4 1/8"  | 3 1/4"  | 1 7/16"  | 4 1/2"  | 4 13/16" | 3/4-14 | 3/4"    | 5/16" OPTIONAL |
| XPIHDGCX2      | 14       | 4 1/8"  | 3 1/4"  | 1 7/16"  | 4 1/2"  | 4 13/16" | 1/2-14 | 3/4"    | 5/16" OPTIONAL |
| XPIHDGCX3      | 14       | 4 1/8"  | 3 1/4"  | 1 7/16"  | 4 1/2"  | 4 13/16" | 3/4-14 | 3/4"    | 5/16" OPTIONAL |
| XPIHFCX2L3LUG  | 13       | 4 5/8"  | 3 1/4"  | 1 7/16"  | 4 9/16" | 5 5/16"  | 1/2-14 | 1"      | 5/16"          |
| XPIHFGCX2L3LUG | 13       | 4 5/8"  | 3 1/4"  | 1 7/16"  | 4 9/16" | 5 5/16"  | 1/2-14 | 1"      | 5/16"          |
| XPIHDCX2L3LUG  | 13       | 4 5/8"  | 3 1/4"  | 1 7/16"  | 4 9/16" | 5 5/16"  | 1/2-14 | 1"      | 5/16"          |
| XPIHDGCX2L3LUG | 13       | 4 5/8"  | 3 1/4"  | 1 7/16"  | 4 9/16" | 5 5/16"  | 1/2-14 | 1"      | 5/16"          |
| XPIHDFCX       | 15       | 13/16"  | 2 1/4"  | 1 7/16"  | 4 1/2"  | 4 11/16" | 3/4-14 | -       | -              |
| XPIHDFGCX      | 15       | 13/16"  | 2 1/4"  | 1 7/16"  | 4 1/2"  | 5 11/16" | 3/4-14 | -       | -              |
| XPIHDDCX       | 15       | 13/16"  | 2 1/4"  | 1 7/16"  | 4 1/2"  | 6 11/16" | 3/4-14 | -       | -              |
| XPIHDDGCX      | 15       | 13/16"  | 2 1/4"  | 1 7/16"  | 4 1/2"  | 7 11/16" | 3/4-14 | -       | -              |
| XPIHMF CX      | 14       | 4 5/8"  | 3 7/8"  | -        | 5"      | 5 1/4"   | 3/4-14 | -       | 5/16" OPTIONAL |
| XPIHMMCX       | 14       | 4 5/8"  | 3 7/8"  | -        | 5"      | 5 1/4"   | 3/4-14 | -       | 5/16" OPTIONAL |
| XPIHMF GCX     | 14       | 4 5/8"  | 3 7/8"  | -        | 5"      | 5 1/4"   | 3/4-14 | -       | 5/16" OPTIONAL |
| XPIHMDCX       | 14       | 4 5/8"  | 3 7/8"  | -        | 5"      | 5 1/4"   | 3/4-14 | -       | 5/16" OPTIONAL |
| XPIHMDGCX      | 14       | 4 5/8"  | 3 7/8"  | -        | 5"      | 5 1/4"   | 3/4-14 | -       | 5/16" OPTIONAL |
| XPIHMDFCX      | 15       | 1 1/8"  | 2 1/4"  | -        | 5"      | 5 1/4"   | 3/4-14 | -       | -              |
| XPIHMDCX       | 15       | 1 1/8"  | 2 1/4"  | -        | 5"      | 5 1/4"   | 3/4-14 | -       | -              |
| XPIHMDFGCX     | 15       | 1 1/8"  | 2 1/4"  | -        | 5"      | 5 1/4"   | 3/4-14 | -       | -              |
| XPIHMDDCX      | 15       | 1 1/8"  | 3 1/4"  | -        | 5"      | 6 1/4"   | 3/4-14 | -       | -              |
| XPIHMDDGCX     | 15       | 1 1/8"  | 4 1/4"  | -        | 5"      | 7 1/4"   | 3/4-14 | -       | -              |
| XPIHLFCX       | 14       | 5"      | 4 1/16" | 1 29/32" | 5 7/16" | 5 5/8"   | 3/4-14 | 1 3/32" | 5/16" DIA      |
| XPIHLFGCX      | 14       | 5"      | 4 1/16" | 1 29/32" | 5 7/16" | 5 5/8"   | 3/4-14 | 1 3/32" | 5/16" DIA      |
| XPIHLDCX       | 14       | 5"      | 4 1/16" | 1 29/32" | 5 7/16" | 5 5/8"   | 3/4-14 | 1 3/32" | 5/16" DIA      |
| XPIHLECX       | 14       | 5"      | 4 1/16" | 1 29/32" | 5 7/16" | 5 5/8"   | 3/4-14 | 1 3/32" | 5/16" DIA      |
| XPIHLDGCX      | 14       | 5"      | 4 1/16" | 1 29/32" | 5 7/16" | 5 5/8"   | 3/4-14 | 1 3/32" | 5/16" DIA      |
| XPIHLDFCX      | 15       | 1 5/16" | 2 1/4"  | 1 27/32" | 5 3/8"  | 5 5/8"   | 3/4-14 | -       | -              |
| XPIHLDFGCX     | 15       | 1 5/16" | 2 1/4"  | 1 27/32" | 5 3/8"  | 5 5/8"   | 3/4-14 | -       | -              |
| XPIHLDDCX      | 15       | 1 5/16" | 2 1/4"  | 2 27/32" | 6 3/8"  | 6 5/8"   | 3/4-14 | -       | -              |
| XPIHLDECX      | 15       | 1 5/16" | 2 1/4"  | 3 27/32" | 7 3/8"  | 7 5/8"   | 3/4-14 | -       | -              |
| XPIHLDGCX      | 15       | 1 5/16" | 2 1/4"  | 4 27/32" | 8 3/8"  | 8 5/8"   | 3/4-14 | -       | -              |

|  |                            |                      |                                  |
|--|----------------------------|----------------------|----------------------------------|
| <b>Thomas &amp; Betts</b>  |                            |                      |                                  |
| A Member of the ABB Group  |                            |                      |                                  |
| www.tnb.com  |                            |                      |                                  |
| DESCRIPTION: <b>OUTLINE FOR XPIH SERIES EXPLOSION<br/>PROOF INSTRUMENT HOUSING, MAGELLAN</b> |                            |                      |                                  |
|  | SHEET NO:<br><b>7 OF 7</b> | REV. NO:<br><b>0</b> | DRAWING NO:<br><b>WSD-001639</b> |

THIS DRAWING IS INTENDED FOR DESCRIPTIVE PURPOSES ONLY. AND THE RIGHT IS RESERVED TO DEVIATE FROM ANY OF THE DETAILS SHOWN HEREON. COPYRIGHT THOMAS & BETTS CORPORATION. ALL RIGHTS RESERVED. PROPRIETARY AND CONFIDENTIAL.