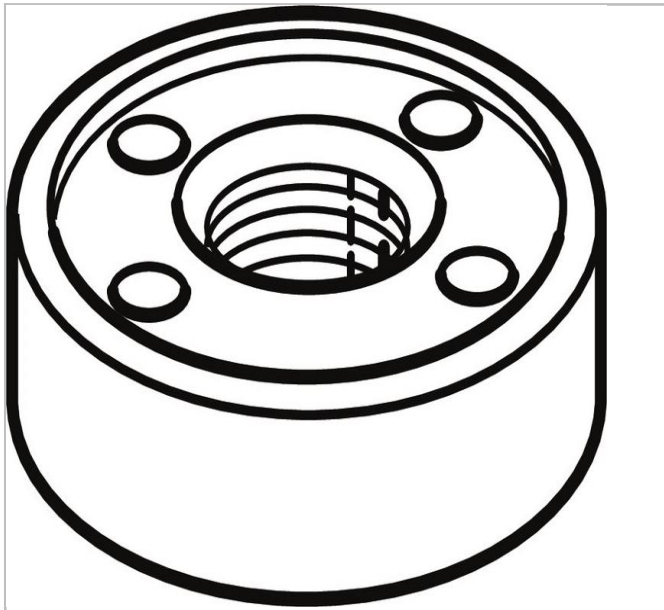


## 117.B | Wrench for nuts with holes bored on the face



### Description:

- For nuts with holes bored on the face.
- The wrench is adjusted as a compass, by turning the centre screw.
- Double round removable hooks.
- Each wrench is supplied with 4 sets of 2 hooks.
- Capacity: 20 to 100 mm.
- Presentation: satin chrome finish.



	<b>117.B</b>
Length L [mm]	245.0
Weight [Kg]	0,53