

# Product data sheet

Specifications

SQUARE D

Green Premium™



Safety switch, general duty, fusible, 30A, 3 poles, 7.5 hp, 240 VAC, NEMA 1, neutral factory installed, consumer packaging

D321NCP

Product availability : Stock - Normally stocked in distribution facility

Price\* : 188.00 USD

## Main

Product	Single Throw Safety Switch
Duty Rating	General duty
Device Application	Residential
Disconnect Type	Fusible disconnect switch
Factory Installed Neutral	Neutral (factory installed)
Phase	3 phase
Number of Poles	3
Current Rating	30 A
Voltage Rating	240 V AC
Enclosure Rating NEMA	NEMA 1
Maximum Horse Power Rating	1.5 hp 240 V at AC 60 Hz for 1 phase conforming to NEC 240.6 3 hp 240 V at AC 60 Hz for 3 phase conforming to NEC 240.6 3 hp 240 V at AC 60 Hz for 1 phase conforming to NEC 430.52 7.5 hp 240 V at AC 60 Hz for 3 phase conforming to NEC 430.52

## Complementary

Short Circuit Current Rating	100 kA maximum depending on fuse H, K or R
Fuse type	H, K or R
Mounting Type	Surface
Electrical Connection	Lugs
Wiring configuration	4-wire (3PH + G)
Wire Size	AWG 14...AWG 6 copper AWG 12...AWG 6 aluminium
Tightening torque	30 lbf.in (3.39 N.m) 0.00...0.02 in <sup>2</sup> (2.08...13.3 mm <sup>2</sup> ) (AWG 14...AWG 6)
Depth	3.63 in (92.20 mm)
Width	6.75 in (171.45 mm)
Height	9.25 in (234.95 mm)
Product Weight	4.41 lb(US) (2 kg)

\* Price is "List Price" and may be subject to a trade discount – check with your local distributor or retailer for actual price.

## Environment

Certifications UL listed file E2875

## Ordering and shipping details

Category 01311 - FUSIBLE SAFETY SWITCHES

Discount Schedule CPS

GTIN 785901071891

Nbr. of units in pkg. 1

Package weight(Lbs) 4.86 lb(US) (2.204 kg)

Returnability Yes

Country of origin MX

## Packing Units

Unit Type of Package 1 PCE

Package 1 Height 5.90 in (14.986 cm)

Package 1 width 8.00 in (20.32 cm)

Package 1 Length 11.10 in (28.194 cm)

## Offer Sustainability

Sustainable offer status Green Premium product

California proposition 65 WARNING: This product can expose you to chemicals including: Lead and lead compounds, which is known to the State of California to cause cancer and birth defects or other reproductive harm. For more information go to [www.P65Warnings.ca.gov](http://www.P65Warnings.ca.gov)

REACH Regulation [REACH Declaration](#)

REACH free of SVHC Yes

EU RoHS Directive Compliant  
[EU RoHS Declaration](#)

Mercury free Yes

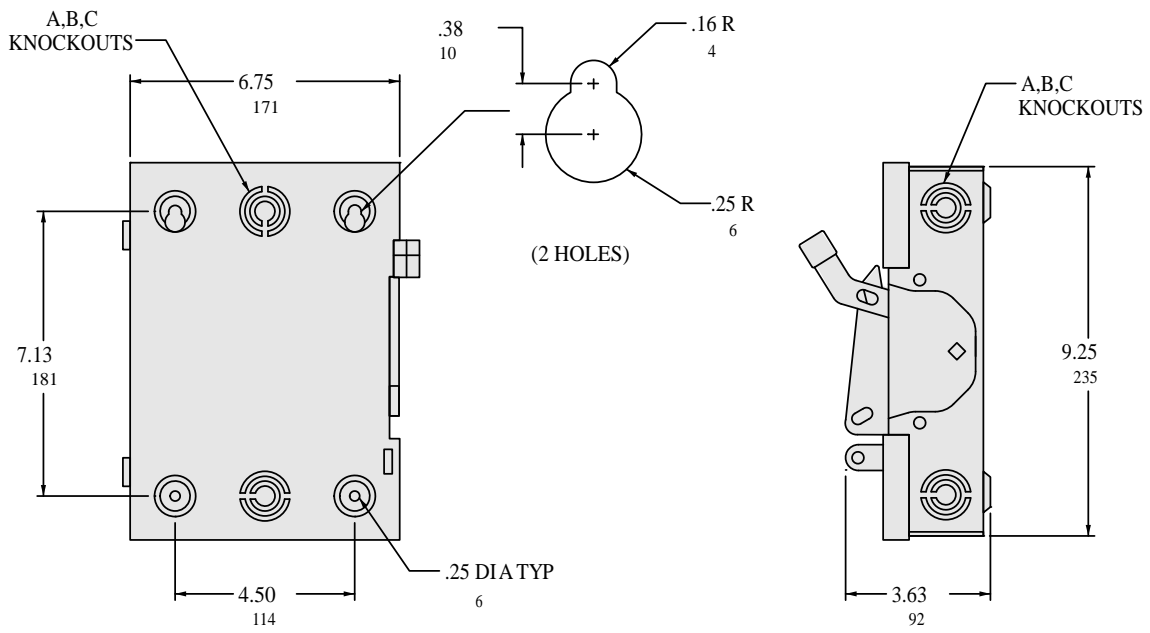
RoHS exemption information [Yes](#)

China RoHS Regulation [China RoHS declaration](#)  
Product out of China RoHS scope. Substance declaration for your information.

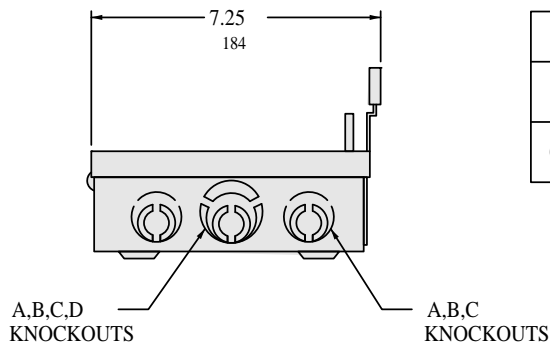
Environmental Disclosure [Product Environmental Profile](#)

PVC free Yes

**Dimensions**



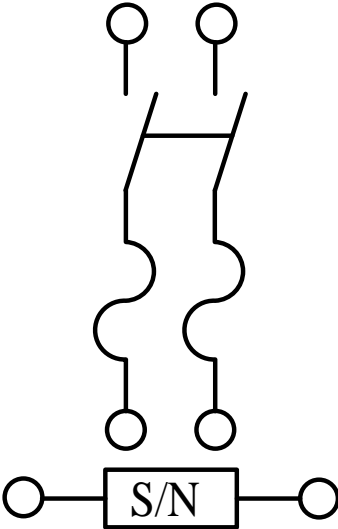
IN. NEMA TYPE 1  
 mm ILLUSTRATED



KNOCKOUTS				
SYMBOL	A	B	C	D
CONDUIT SIZE	.50	.75	1	1.25

ALL DIMENSIONS ARE APPROXIMATE. REFER TO TECHNICAL DRAWINGS AND DOCUMENTS

FUSIBLE



D211N

D221N