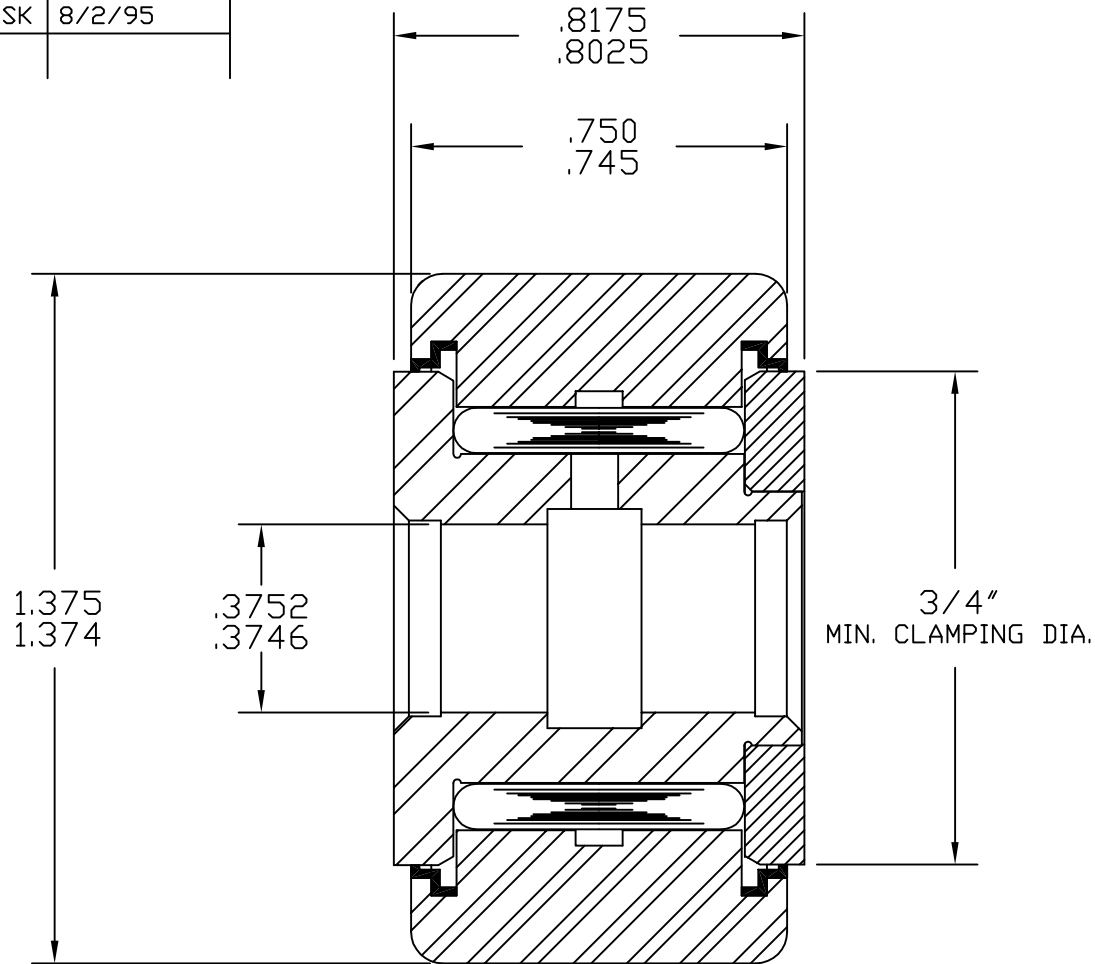


SYM	REVISION	BY	DATE
A	REVISED & REDRAWN	BSK	8/2/95

SCALE: ~



BASIC DYNAMIC CAPACITY - 4300

MAT'L: ST'D BEARING STEELS, SEALS - ACETAL.
 BEARING PACKED WITH GENERAL PURPOSE EP GREASE.
 RELUBE PROVISIONS THRU BORE.

TOLERANCES	
UNLESS OTHERWISE NOTED	
FRACTIONS: $\pm.010$	ANGLES: $\pm.5$
2 PLACE DECIMALS (.00): $\pm.005$	
3 PLACE DECIMALS (.000): $\pm.002$	



ACCURATE BUSHING CO. INC.
 Manufacturers of SMITH® Bearing Product
 443 NORTH AVENUE
 Garwood, NJ 07027

PART NAME	STANDARD YOKE ROLLER		
PART NO.	YR-1-3/8-X		
DRAWN BY	BSK	DATE	8/2/95
CHECKED BY		FILENAME	\\YRASSYS\1-3-8-X