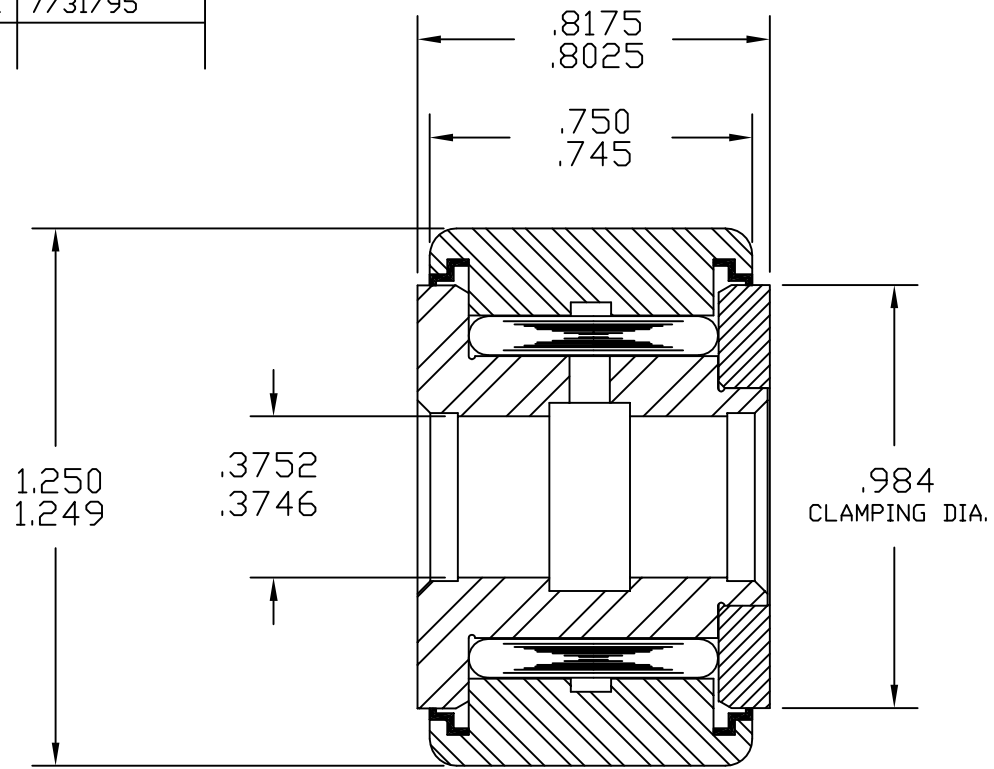


| SYM | REVISION          | BY  | DATE    |
|-----|-------------------|-----|---------|
| A   | REVISED & REDRAWN | BSK | 7/31/95 |

SCALE: ~



BASIC DYNAMIC LOAD RATING - 3930 LBS.  
 MAX. STATIC CAPACITY - 8500 LBS.

MAT'L: ST'D BEARING STEELS, SEALS - ACETAL.  
 BEARING PACKED WITH GENERAL PURPOSE EP GREASE.  
 RELUBE PROVISIONS THRU BORE.

| TOLERANCES                     |             |
|--------------------------------|-------------|
| UNLESS OTHERWISE NOTED         |             |
| FRACTIONS: ±.010               | ANGLES: ±.5 |
| 2 PLACE DECIMALS (.00): ±.005  |             |
| 3 PLACE DECIMALS (.000): ±.002 |             |



**ACCURATE BUSHING CO. INC.**  
 Manufacturers of SMITH® Bearing Product  
 443 NORTH AVENUE  
 Garwood, NJ 07027

|            |                      |          |                 |
|------------|----------------------|----------|-----------------|
| PART NAME  | STANDARD YOKE ROLLER |          |                 |
| PART NO.   | YR-1-1/4-X           |          |                 |
| DRAWN BY   | BSK                  | DATE     | 7/31/95         |
| CHECKED BY |                      | FILENAME | YRASSYS\1-1-4-X |