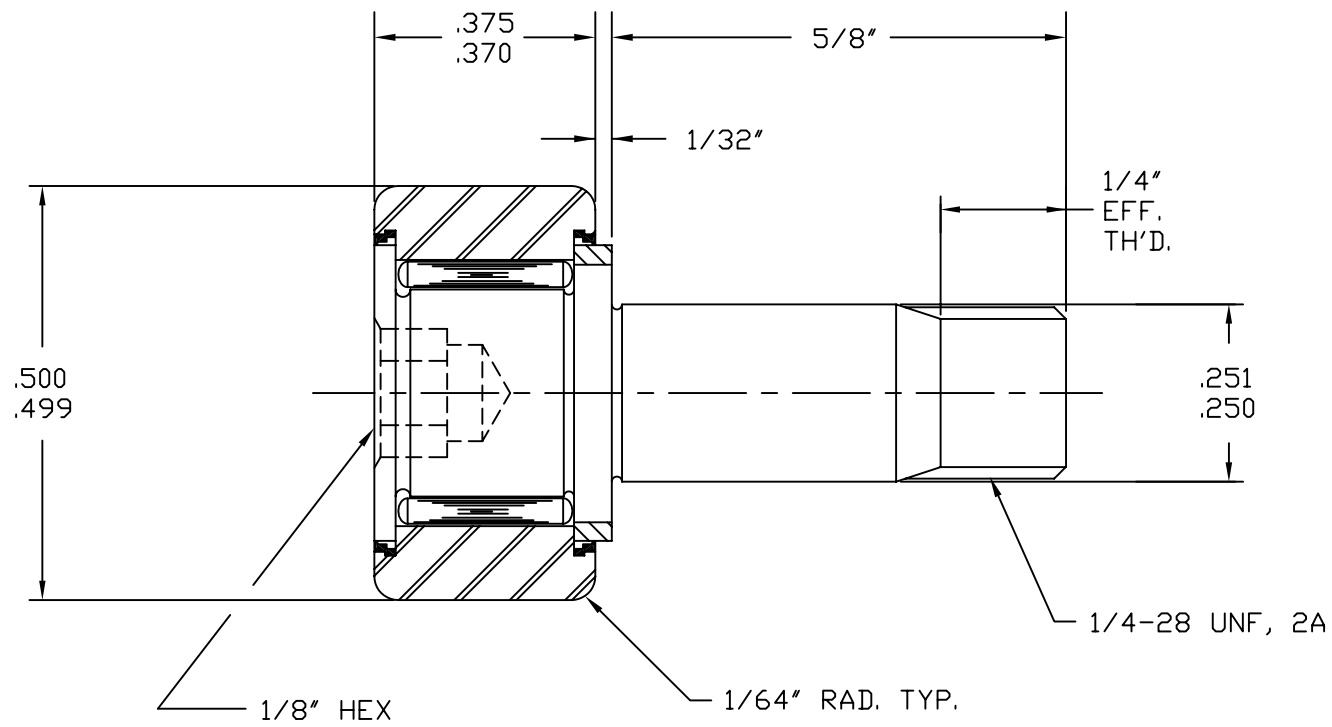


SYM	REVISION	BY	DATE

SCALE ~



BASIC DYNAMIC RATING - 970 LBS.

MAX. STATIC CAPACITY - 1590 LBS

MAT'L: ST'D. BEARING STEELS.  
 BEARING PACKED WITH GENERAL PURPOSE EP GREASE.  
 SEALS - NONMETALLIC.

TOLERANCES	
FRACTIONS ± .010	ANGLES ± .5
2 PLACE DECIMALS (.00) ± .005	
3 PLACE DECIMALS (.000) ± .002	

REF. A-5250



ACCURATE BUSHING CO. INC.  
 443 North Avenue  
 Garwood, NJ 07027

PART NAME	CAM FOLLOWER		
PART NO.	HR-1/2-XB		
DRAWN BY	JMK	DATE	7/9/93
CHECKED BY		FILENAME	\HRSASSYS\1-2-XB