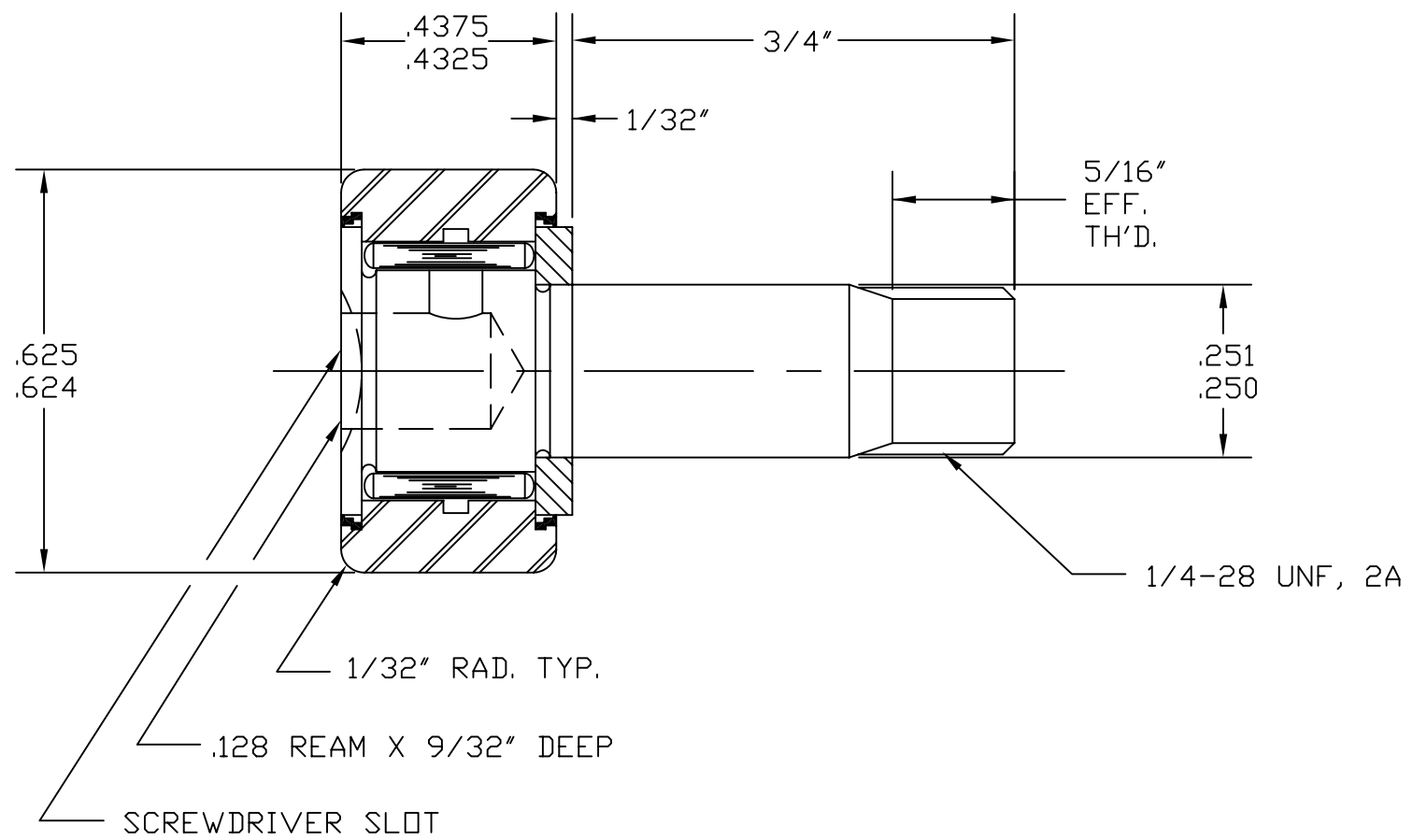


SYM	REVISION	BY	DATE

NOT TO SCALE



BASIC DYNAMIC CAPACITY - 1320
 MAX. ALLOWABLE LOAD - 1250

MATERIAL: STANDARD BEARING STEELS, SEALS-NONMETALIC.
 BEARING PACKED WITH GENERAL PURPOSE EP GREASE.
 RELUBE PROVISIONS WILL ACCEPT 1/8" DRIVE TYPE
 FITTINGS, PLUGS SUPPLIED FOR UNUSED HOLES.

TOLERANCES	
FRACTIONS ± .010	ANGLES ± .5
2 PLACE DECIMALS (.00) ± .005	
3 PLACE DECIMALS (.000) ± .002	

REF.: A-5028-T



ACCURATE BUSHING CO. INC.
 443 North Avenue
 Garwood, NJ 07027

PART NAME	CAM FOLLOWER		
PART NO.	CR-5/8-X		
DRAWN BY	BSK	DATE	7/7/95
CHECKED BY		FILENAME	\CRASSYS\5-8-X