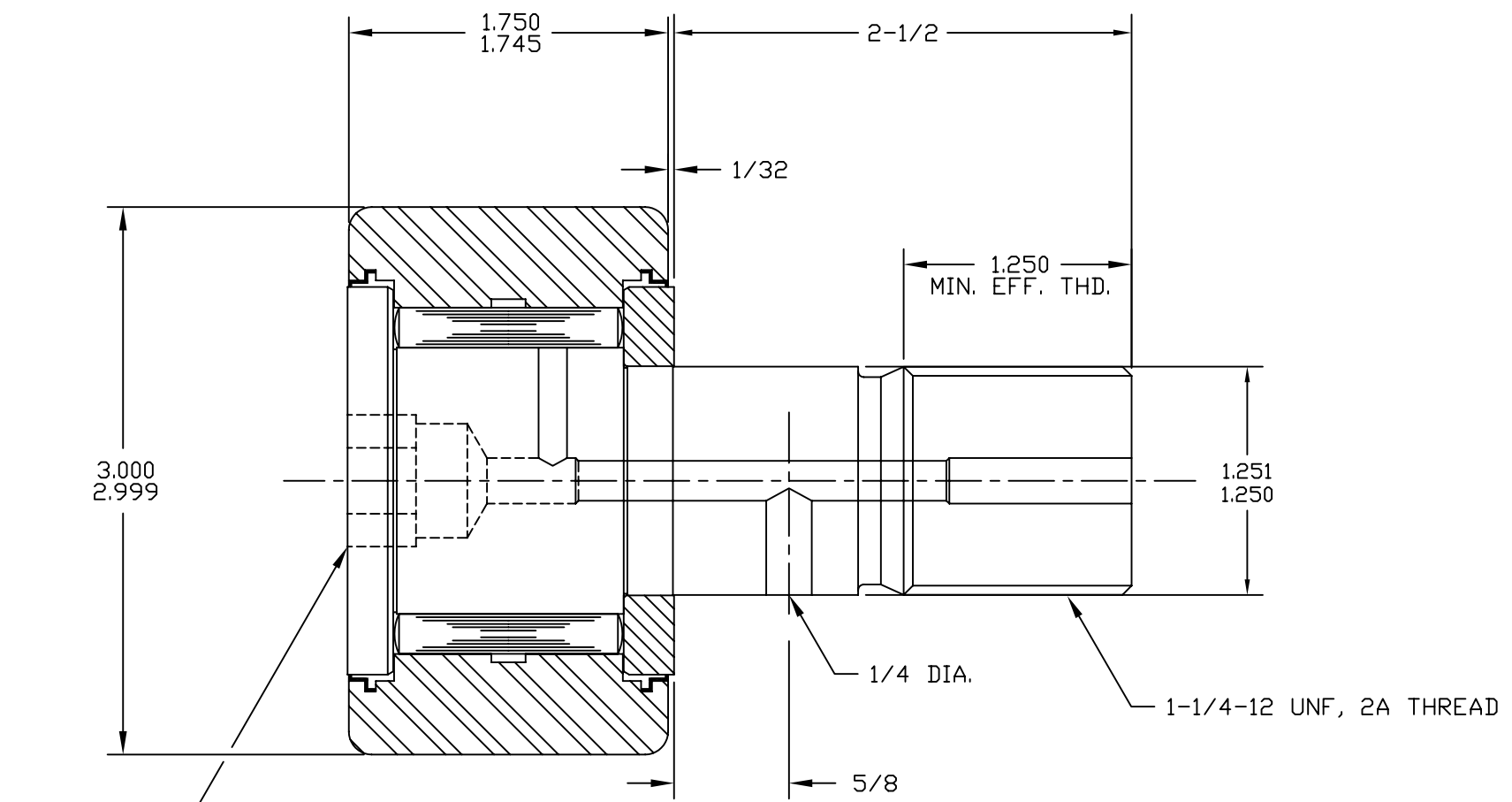


SYM	REVISION	BY	DATE
A	REVISED & REDRAWN	BSK	05/20/96

SCALE: FULL



BASIC DYNAMIC LOAD RATING - 20,200 LBS
 MAX. STATIC CAPACITY - 25,870 LBS
 (BASED ON STUD STRENGTH)

MAT'L: ST'D BEARING STEELS, SEALS - ACETAL.
 BEARING PACKED WITH GENERAL PURPOSE EP GREASE.
 RELUBE PROVISIONS WILL ACCEPT 1/4" DRIVE TYPE
 FITTINGS, PLUGS SUPPLIED FOR UNUSED HOLES.

BLACK OXIDE COAT ALL COMPONENTS

TOLERANCES

UNLESS OTHERWISE NOTED
 FRACTIONS: ±.010 ANGLES: ±.5
 2 PLACE DECIMALS (.00): ±.005
 3 PLACE DECIMALS (.000): ±.002



ACCURATE BUSHING CO. INC.
 Manufacturers of SMITH® Bearing Product
 443 NORTH AVENUE
 Garwood, NJ 07027

PART NAME	STANDARD CAM FOLLOWER		
PART NO.	CR-3-XB		
DRAWN BY	BSK	DATE	05/20/96
CHECKED BY		FILENAME	CRASSYS/3-XB

CR-3-XB