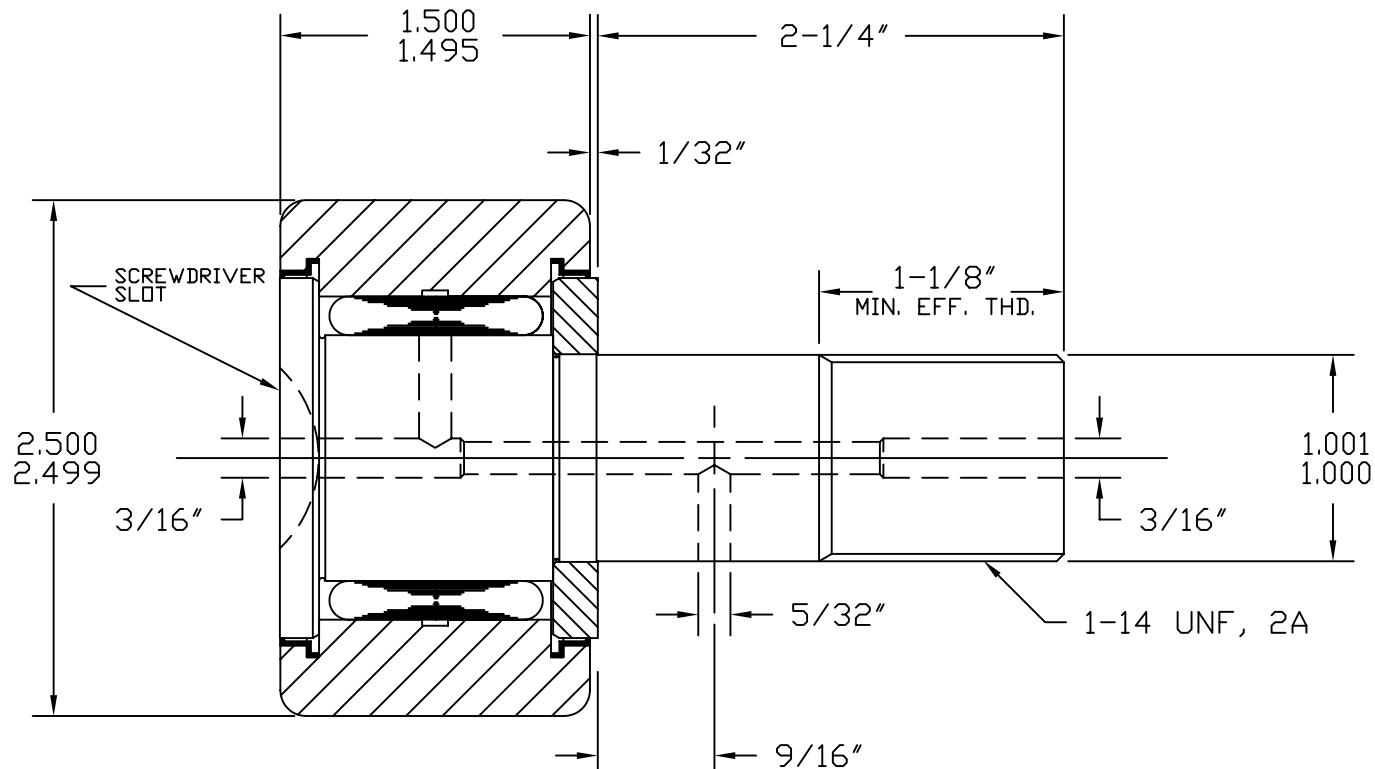


| | | | |
|-----|-------------------|-----|----------|
| SYM | REVISION | BY | DATE |
| A | REVISED & REDRAWN | BSK | 12/27/95 |

SCALE: FULL



BASIC DYNAMIC CAPACITY - 11370
 MAX. ALLOWABLE LOAD - 9700

MAT'L: ST'D BEARING STEELS, SEALS - ACETAL.
 BEARING PACKED WITH GENERAL PURPOSE EP GREASE.
 RELUBE PROVISIONS WILL ACCEPT 3/16" DRIVE TYPE
 FITTINGS, PLUGS SUPPLIED FOR UNUSED HOLES.

| TOLERANCES | |
|--------------------------------|-------------|
| UNLESS OTHERWISE NOTED | |
| FRACTIONS: ±.010 | ANGLES: ±.5 |
| 2 PLACE DECIMALS (.00): ±.005 | |
| 3 PLACE DECIMALS (.000): ±.002 | |



ACCURATE BUSHING CO. INC.
 Manufacturers of SMITH® Bearing Product
 443 NORTH AVENUE
 Garwood, NJ 07027

| | | | |
|------------|-----------------------|----------|------------------|
| PART NAME | STANDARD CAM FOLLOWER | | |
| PART NO. | CR-2-1/2-X | | |
| DRAWN BY | BSK | DATE | 12/27/95 |
| CHECKED BY | | FILENAME | \CRASSYS\2-1-2-X |