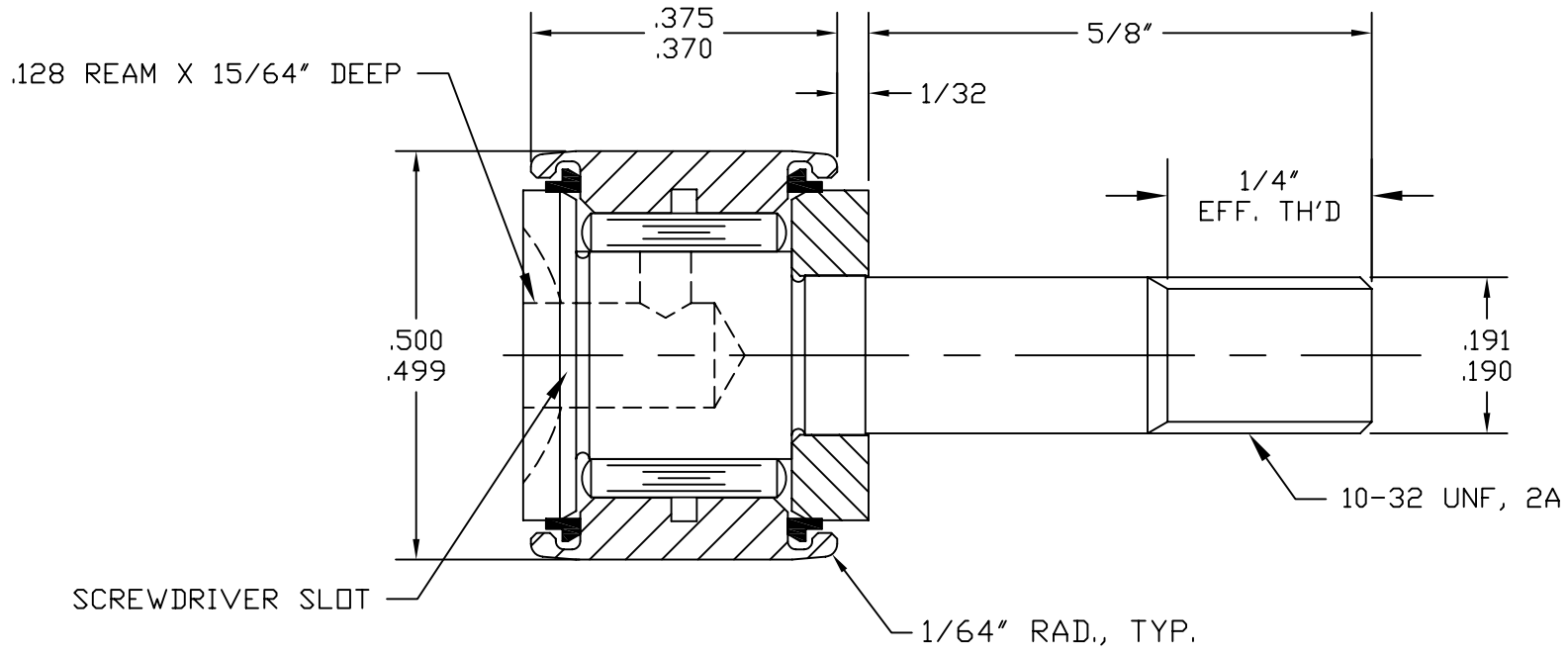


SYM	REVISION	BY	DATE

SCALE: 4X



BASIC DYNAMIC CAPACITY - 680
 MAX. ALLOWABLE LOAD - 330

MATERIAL: STANDARD BEARING STEELS, SEALS - ACETAL.
 BEARING PACKED WITH GENERAL PURPOSE EP GREASE.
 RELUBE PROVISIONS WILL ACCEPT 1/8" DRIVE TYPE
 FITTINGS, PLUGS SUPPLIED FOR UNUSED HOLES.

REF. A-5002/A-5026

TOLERANCES	
FRACTIONS ± .010	ANGLES ± .5
2 PLACE DECIMALS (.00) ± .005	
3 PLACE DECIMALS (.000) ± .002	



ACCURATE BUSHING CO. INC.
 443 North Avenue
 Garwood, NJ 07027

PART NAME	CAM FOLLOWER		
PART NO.	CR-1/2-X		
DRAWN BY	JMK	DATE	02/04/94
CHECKED BY		FILENAME	\CRASSYS\1-2-X