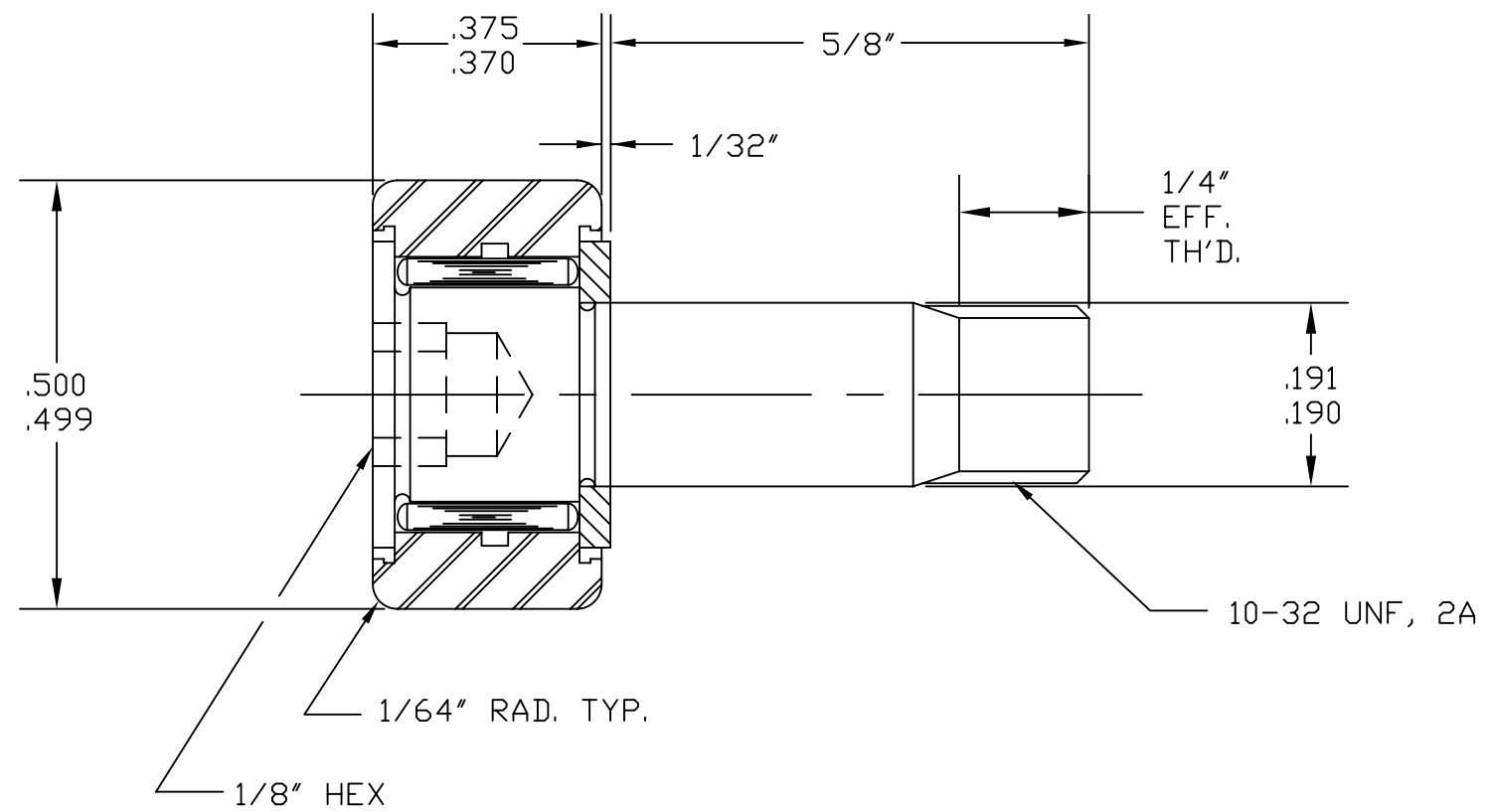


SYM	REVISION	BY	DATE

SCALE ~



BASIC DYNAMIC CAPACITY - 680
 MAX. ALLOWABLE LOAD - 330

MAT'L: ST'D BEARING STEELS.
 BEARING PACKED WITH GENERAL PURPOSE EP GREASE.

TOLERANCES	
FRACTIONS ± .010	ANGLES ± .5
2 PLACE DECIMALS (.00) ± .005	
3 PLACE DECIMALS (.000) ± .002	

REF. A-5202



ACCURATE BUSHING CO. INC.
 443 North Avenue
 Garwood, NJ 07027

PART NAME	CAM FOLLOWER		
PART NO.	CR-1/2-B		
DRAWN BY	JMK	DATE	03/09/94
CHECKED BY		FILENAME	\CRASSYS\1-2-B