

# TP/TPA

## Tie Plates

TPs are nail-on tie plates. TPAs are flanged for added support.

**Material:** 20 gauge

**Finish:** Galvanized

**Installation:**

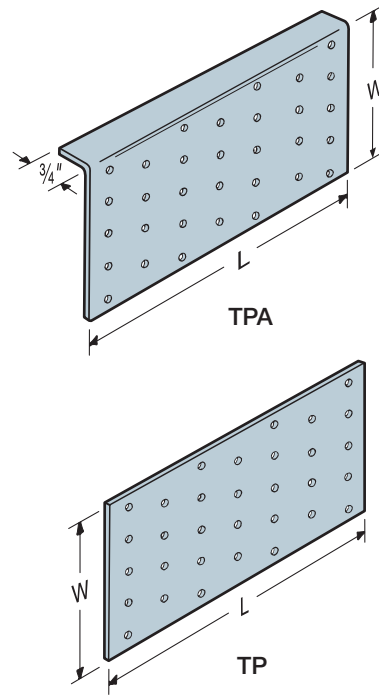
- Holes are sized for 0.131" x 2½" nails or 0.131" x 1½" nails

**Codes:** See p. 12 for Code Reference Key Chart

**SD** Many of these products are approved for installation with Strong-Drive® SD Connector screws. See pp. 335–337 for more information.

Model No.	Dimensions (in.)		Number of Nail Holes	Code Ref.
	W	L		
TP15	1 19/16	5	13	—
TPA37	3 1/2	7	32	
TPA39	3 1/2	9	41	
TP35	3 1/8	5	23	
TP37	3 1/8	7	32	
TP39	3 1/8	9	41	
TP311	3 1/8	11	50	
TP312	3 1/8	12	54	
TP316	3 1/8	16	72	
TP45	4 1/8	5	30	
TP47	4 1/8	7	42	
TP49	4 1/8	9	54	
TP411	4 1/8	11	66	
TP57	5 3/4	7	60	
TPA57	5	7	49	

1. Connectors are not load rated.



## J/JP

### Floor Beam Levelers

Jack piers and standard floor beam levelers offer unique leveling simplicity during and after construction.

**Material:** 12-gauge plates; 3/4" threaded rod; 1 1/16" O.D. steel pipe

**Finish:** None

**Installation:**

- Use all specified fasteners; see General Notes
- Holes are provided for installation with (4) 0.148" x 1 1/2" nails
- Do not use J/JPs for dynamic jacking of structures, such as houses

**Codes:** See p. 12 for Code Reference Key Chart

Model No.	Dimensions		Allowable Bearing Loads (DF/SP/SPF/HF) (100)	Code Ref.
	H (Min.–Max.) (in.)	Threaded Rod Length (in.)		
JP44	2–4	4 3/4	4,440	—
J57	5–7	4	4,380	

1. Post design by Designer. See [strongtie.com/post](http://strongtie.com/post) for post allowable loads.
2. Loads may not be increased for duration of load.
3. **Fasteners:** Nail dimensions in the table are listed diameter by length. See pp. 21–22 for fastener information.

