

LRUZ

Solid Sawn Joist Hangers

Face-Mount Rafter Hanger

The LRUZ offers an economic alternative for those applications requiring a sloped hanger for rafter-to-ridge connections. Used with solid sawn rafters, the LRUZ's unique design enables the hanger to be installed either before or after the rafter is in place. The field-adjustable seat helps improve job efficiency by eliminating mismatched angles in the field and lead times associated with special orders. The LRUZ offers comparable or better load capacity to other rafter hangers at a reduced cost while using fewer fasteners.

Features:

- The open design and ability to field-adjust the slope make the LRUZ ideal for both retrofit or new applications.
- Accommodates roof pitches from 0:12 to 14:12.
- Slopes up or down to 45°. For downward slopes greater than 45° up to 49° (14:12), allowable downloads are 0.85 of table loads.
- For added versatility, the fasteners on the face of the hanger are placed high enabling the bottom of the rafter to hang below the ridge beam (see "Max. C₁" dimension).
- Can be installed using nails or Strong-Drive® SD Connector screws.

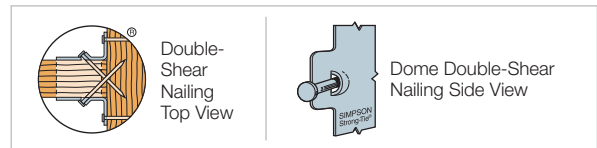
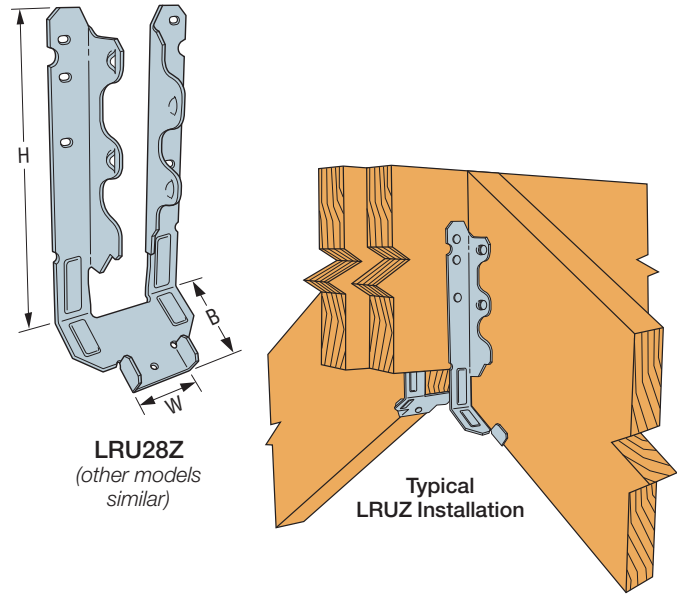
Material: 18 gauge

Finish: ZMAX® coating (G-185)

Installation:

- Use all specified fasteners; see General Notes
- Joist fasteners must be installed at an angle through the rafter or joist into the header to achieve the table loads
- See alternate installation on p. 115 for retrofit applications

Codes: See p. 12 for Code Reference Key Chart



These products are available with additional corrosion protection. For more information, see p. 15.

SD Many of these products are approved for installation with Strong-Drive® SD Connector screws. See pp. 335-337 for more information.

Standard Installation

Model No.	Dimensions (in.)				Fasteners (in.)		DF/SP Allowable Loads				SPF/HF Allowable Loads				Code Ref.
	W	H	B	Max. C ₁	Face	Joist	Uplift (160)	Floor (100)	Snow (115)	Roof (125)	Uplift (160)	Floor (100)	Snow (115)	Roof (125)	
LRU26Z	1 ⁹ / ₁₆	5 ¹ / ₄	1 ¹⁵ / ₁₆	1 ³ / ₄	(4) 0.162 x 3 ¹ / ₂	(5) 0.162 x 3 ¹ / ₂	810	1,030	1,175	1,275	695	885	1,010	1,095	
					(4) 0.148 x 3	(5) 0.148 x 3	600	865	990	990	515	745	850	850	
					(4) SD #10 x 2 ¹ / ₂	(5) SD #10 x 2 ¹ / ₂	770	1,215	1,395	1,425	660	935	1,075	1,170	
					(4) SD #10 x 1 ¹ / ₂	(5) SD #10 x 2 ¹ / ₂	770	1,045	1,200	1,305	660	830	950	1,035	
LRU28Z	1 ⁹ / ₁₆	6 ¹⁵ / ₁₆	1 ¹⁵ / ₁₆	2 ⁵ / ₈	(6) 0.162 x 3 ¹ / ₂	(5) 0.162 x 3 ¹ / ₂	810	1,315	1,340	1,340	695	1,130	1,150	1,150	
					(6) 0.148 x 3	(5) 0.148 x 3	805	1,050	1,050	1,050	690	905	905	905	
					(6) SD #10 x 2 ¹ / ₂	(5) SD #10 x 2 ¹ / ₂	1,025	1,480	1,480	1,480	880	1,265	1,270	1,270	
					(6) SD #10 x 1 ¹ / ₂	(5) SD #10 x 2 ¹ / ₂	1,025	1,390	1,480	1,480	880	1,105	1,270	1,270	
LRU210Z	1 ⁹ / ₁₆	8 ³ / ₁₆	1 ¹⁵ / ₁₆	1 ³ / ₄	(6) 0.162 x 3 ¹ / ₂	(7) 0.162 x 3 ¹ / ₂	1,015	1,550	1,620	1,620	875	1,335	1,395	1,395	
					(6) 0.148 x 3	(7) 0.148 x 3	1,015	1,295	1,480	1,495	875	1,115	1,275	1,285	
					(6) SD #10 x 2 ¹ / ₂	(7) SD #10 x 2 ¹ / ₂	1,510	1,805	1,805	1,805	1,300	1,405	1,550	1,550	
					(6) SD #10 x 1 ¹ / ₂	(7) SD #10 x 2 ¹ / ₂	1,510	1,570	1,805	1,805	1,300	1,240	1,430	1,550	
LRU212Z	1 ⁹ / ₁₆	10 ¹ / ₁₆	1 ¹⁵ / ₁₆	3 ¹ / ₂	(6) 0.162 x 3 ¹ / ₂	(7) 0.162 x 3 ¹ / ₂	1,305	1,550	1,765	1,910	1,120	1,335	1,520	1,645	
					(6) 0.148 x 3	(7) 0.148 x 3	1,305	1,295	1,430	1,430	1,120	1,115	1,230	1,230	
					(6) SD #10 x 2 ¹ / ₂	(7) SD #10 x 2 ¹ / ₂	1,850	1,820	1,915	1,915	1,590	1,405	1,615	1,645	
					(6) SD #10 x 1 ¹ / ₂	(7) SD #10 x 2 ¹ / ₂	1,850	1,570	1,805	1,915	1,590	1,240	1,430	1,555	

1. Uplift loads have been increased for earthquake or wind loading with no further increase allowed. Reduce where other loads govern.
2. Allowable loads are based on a minimum 3" carrying member. For single 2x carrying members, use 0.148" x 1 1/2" nails in the face and 0.148" x 3" in the joist, and reduce the allowable load to 0.81 of the tabulated value for 0.148" x 3" nails. Alternatively, use #10 x 1 1/2" Strong-Drive® SD Connector screws in the face and #10 x 2 1/2" SD Connector screws in the joist as shown in the table.
3. **Fasteners:** Nail dimensions in the table are listed diameter by length. See pp. 21-22 for fastener information.
4. **Fasteners:** SD screws are Simpson Strong-Tie® Strong-Drive® screws. See pp. 335-337 for fastener information.

C-C-2019 © 2019 SIMPSON STRONG-TIE COMPANY, INC.

LRUZ

Face-Mount Rafter Hanger (cont.)

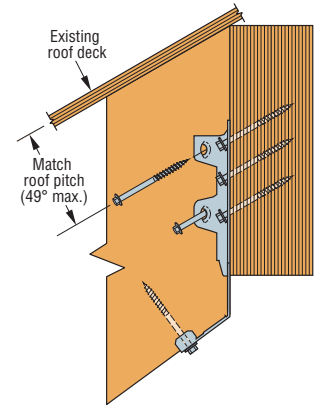
Alternate Installation for Retrofit Applications

When an existing roof deck prevents the horizontal installation of fasteners, #10 x 2½" Strong-Drive® SD Connector screws may be installed sloped upward to match the roof pitch (49° max.). Use table values for an installation with 0.148" x 3" nails when Strong-Drive SD Connector screws are sloped. Nails may not be installed sloped upward.

Alternate Installation for Retrofit

Model No.	Angled Fasteners		DF/SP Allowable Loads				SPF/HF Allowable Loads				Code Ref.
	Face	Joist	Uplift ² (160)	Floor (100)	Snow (115)	Roof (125)	Uplift ² (160)	Floor (100)	Snow (115)	Roof (125)	
LRU26Z	(4) SD #10 x 2½"	(5) SD #10 x 2½"	645	855	980	990	555	730	835	850	IBC, FL
LRU28Z	(6) SD #10 x 2½"	(5) SD #10 x 2½"	805	1,050	1,050	1,050	695	900	900	900	
LRU210Z	(6) SD #10 x 2½"	(7) SD #10 x 2½"	1,100	1,285	1,430	1,430	945	1,095	1,230	1,230	
LRU212Z	(6) SD #10 x 2½"	(7) SD #10 x 2½"	1,305	1,285	1,430	1,430	1,120	1,095	1,230	1,230	

1. Uplift loads have been increased for earthquake or wind loading with no further increase allowed. Reduce where other loads govern.
2. Allowable loads are based on a minimum 3"-thick carrying member.
3. Fasteners may be angled upward a maximum of 49°.
4. **Fasteners:** SD screws are Simpson Strong-Tie® Strong-Drive® screws. See pp. 335–337 for fastener information.

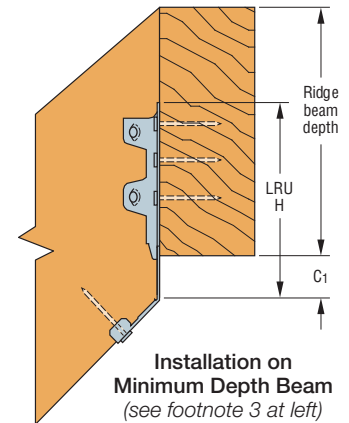


Alternate Installation for Retrofit Applications

Minimum Ridge Beam Depth (in.)

Roof Pitch	LRU26Z		LRU28Z			LRU210Z			LRU212Z	
	Rafter Size		Rafter Size			Rafter Size			Rafter Size	
	2x6	2x8	2x6	2x8	2x10	2x8	2x10	2x12	2x10	2x12
2:12	3¾	5%	—	5½	7¼	—	7%	9%	—	9¼
3:12	3¾	5¾	—	5½	7¼	—	7¾	9%	—	9¼
4:12	4	5¾	—	5½	7¼	—	8	10½	—	9¼
5:12	4¼	6%	—	5½	7%	—	8¼	10½	—	9¼
6:12	4¾	6%	—	5½	7¾	—	8%	10%	—	9¼
7:12	4%	6%	—	5¾	8%	6%	9	11¼	—	9½
8:12	4¾	7	—	6%	8½	7	9%	11¼	7%	10
9:12	5½	7%	—	6½	9	7%	9%	12%	8½	10%
10:12	5%	7¾	4½	6%	9%	7¾	10¼	12%	8½	11½
11:12	5¾	8%	4¾	7¼	9%	8%	10¼	13½	9	11¾
12:12	6	8½	5½	7%	10½	8½	11%	14%	9%	12%
13:12	6%	9	5½	8%	11%	9	12	14%	10¼	13%
14:12	6¾	9½	5¾	8%	11%	9½	12½	15%	10¼	13%

1. Minimum ridge beam depths shown assume that the rafter and the ridge beam are flush at the top.
2. Minimum ridge beam depths have been determined to ensure the maximum C₁ dimension for the LRU is not exceeded. Deeper ridge beams may be required to support the rafter loads as determined by the Designer.
3. Per the 2012/2015/2018 IRC Section R802.3 the ridge is required to be not less in depth than the cut end of the rafter unless the ridge is designed as a beam.
4. Slopes greater than 12:12 are down-slope only.



Installation on Minimum Depth Beam (see footnote 3 at left)