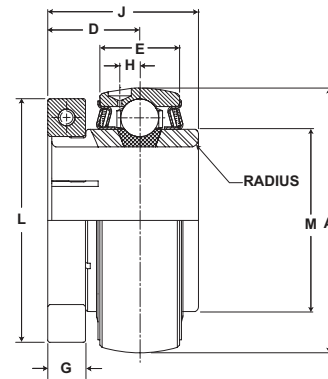




Duty: Standard
Rolling Elements: Ball
Lock: SKWEZLOC Locking Collar
Seal: Felt
Optional Seal: Contact
Temperature: -20° to 220°F



Standard Duty Bearing Insert – SKWEZLOC Locking Collar

Bore Diameter		Part No.	Basic Dynamic Rating lb/N	Dimensions inch / mm								Max Rad. To Clear	Torx Cap Screw	Unit Wt. lb/kg		
inch	mm			A	D	E	G	H	J	L	M					
3/4	20	2-012T	2611	1.8504	23/32	5/8	3/8	9/64	1 9/32	1 3/4	1 3/16	.040	T-25	.60		
		5204TMC	11614	47	18.3	15.9	9.5	3.6	32.5	44.5	30.2	1.02		.27		
15/16	25	2-015T	2801	2.0472	13/16	11/16	3/8	11/64	1 7/16	1 15/16	1 3/8	.040	T-25	.80		
		2-1T	12459	52	20.6	17.5	9.5	4.4	36.5	49.2	34.9	1.02		.36		
		5205TMC														
1 1/8	30	2-12T	4381	2.4409	7/8	7/8	3/8	7/32	1 9/16	2 3/16	1 19/32	.040	T-25	1.2		
1 3/16		2-13T			19487	62	22.2	22.2	9.5	5.6	39.7	55.6		40.5	1.02	.54
1 1/4		1-14T			5206TMC											
1 1/4	35	2-14T	5782	2.8346	1	15/16	7/16	1/4	1 3/4	2 7/16	1 55/64	.040	T-27	1.8		
1 3/8		2-16T	25718	72	25.4	23.8	11.1	6.4	44.5	61.9	47.2	1.02		.82		
1 7/16	40	2-17T	5782	2.8346	1	15/16	7/16	1/4	1 3/4	2 9/16	1 55/64	.040	T-27	1.8		
1 1/2		2-18T	25718	72	25.4	23.8	11.1	6.4	44.5	65.1	47.2	1.02		.82		
		1 9/16	2-19T	7340	3.1496	1 3/16	1 3/32	7/16	19/64	2	2 11/16	2 1/16		.062	T-27	2.2
1 5/8	45	5208TMC	32648	80	30.2	27.8	11.1	7.5	50.8	68.3	52.4	1.57	1.00			
		2-110T	7901	3.3465	1 3/16	1 3/32	7/16	19/64	2	2 13/16	2 19/64	.062	T-27	2.5		
1 11/16	50	2-111T	35144	85	30.2	27.8	11.1	7.5	50.8	71.4	58.3	1.57		1.13		
1 3/4		2-112T	7901	3.3465	1 3/16	1 3/32	7/16	19/64	2	2 15/16	2 19/64	.062	T-27	2.5		
1 15/16		5209TMC	35144	85	30.2	27.8	11.1	7.5	50.8	74.6	58.3	1.57		1.13		
	2	2-115T	7889	3.5433	1 9/32	1 1/8	9/16	17/64	2 3/32	3 3/8	2 15/32	.062	T-30	3.0		
2	55	1-2T	35090	90	32.5	28.6	14.3	6.7	53.2	85.7	62.7	1.57		1.36		
		5210TMC														
2 1/8	60	2-2T	9752	3.9370	1 5/16	1 3/16	9/16	19/64	2 1/4	3 1/2	2 23/32	.080	T-30	3.4		
		43377	100	33.3	30.2	14.3	7.5	57.2	88.9	69.1	2.03	1.54				
2 3/16		2-22T	9752	3.9370	1 5/16	1 3/16	9/16	19/64	2 1/4	3 5/8	2 23/32	.080	T-30	3.4		
2 1/4	2-23T	43377	100	33.3	30.2	14.3	7.5	57.2	92.1	69.1	2.03	1.54				
	5211TMC															
2 1/4	60	2-24T	11789	4.3307	1 9/16	1 1/4	11/16	21/64	2 5/8	4 1/16	2 63/64	.080	T-45	4.9		
2 3/8		52437	110	39.7	31.8	17.5	8.3	66.7	103.2	75.8	2.03	2.22				
	2 7/16	2-26T	11789	4.3307	1 9/16	1 1/4	11/16	21/64	2 5/8	4 1/8	2 63/64	.080	T-45	4.9		
5212TMC	52437	110	39.7	31.8	17.5	8.3	66.7	104.8	75.8	2.03	2.22					

Metric dimensions for reference only.

Not all parts are available from stock. Please contact customer service for availability (800) 626-2120.

For more information on bearing capabilities outside of our standard offering, please contact Application Engineering (800) 626-2093.