

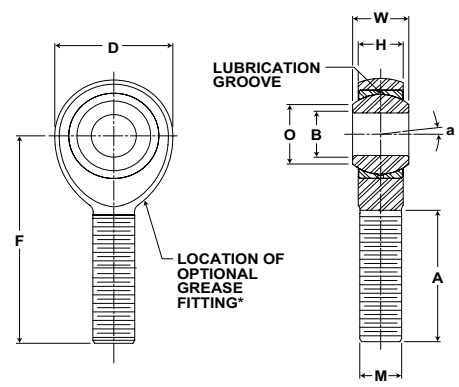


**Basic Construction Type:** Male 3 pc. General Purpose, Precision

**Outer Member Material:** Carbon Steel with Protective Plating for Corrosion Resistance

**Race Material:** Carbon Steel with Protective Plating for Corrosion Resistance

**Ball Material:** Alloy Steel, Heat Treated, Chrome Plated



## TRE, TRE-N Series Female Rod Ends

Part No.	Dimensions inch / mm									Max Static Radial Load lb/N	Misalignment Angle a Deg. +/-	Unit Wt. lb/kg
	B	W	H	D	F	A	M	Ball Diam.	O			
	+0.0015 -0.0005	+0.000 -0.005	+0.005 -0.005	+0.010 -0.010	+0.015 -0.015	Min.	Class UNF-3A	Ref.	Ref.			
TRE-3	.1900 4.826	.312 7.92	.250 6.35	.625 15.88	1.250 31.75	.719 18.26	#10-32	.437 11.10	.306 7.77	900 4003	6 1/2	.030 .014
TRE-4	.2500 6.350	.375 9.53	.281 7.14	.750 19.05	1.562 39.67	.969 24.61	1/4-28	.500 12.70	.331 8.41	1700 7562	8	.050 .023
TRE-5	.3125 7.938	.437 11.10	.344 8.74	.875 22.23	1.875 47.63	1.219 30.96	5/16-24	.625 15.88	.447 11.35	2500 11121	7	.080 .036
TRE-6	.3750 9.525	.500 12.70	.406 10.31	1.000 25.40	1.938 49.23	1.219 30.96	3/8-24	.718 18.24	.517 13.13	4000 17793	6	.120 .054
TRE-7	.4375 11.113	.562 14.27	.437 11.10	1.125 28.58	2.125 53.98	1.344 34.14	7/16-20	.812 20.62	.586 14.88	5000 22241	7	.170 .077
TRE-8	.5000 12.700	.625 15.88	.500 12.70	1.312 33.32	2.438 61.93	1.469 37.31	1/2-20	.937 23.80	.698 17.73	7000 31138	6	.260 .118
TRE-10	.6250 15.875	.750 19.05	.562 14.27	1.500 38.10	2.625 66.68	1.594 40.49	5/8-18	1.125 28.58	.839 21.31	8050 35808	8	.410 .186
TRE-12	.7500 19.050	.875 22.23	.687 17.45	1.750 44.45	2.875 73.03	1.719 43.66	3/4-16	1.312 33.32	.978 24.84	11300 50265	7	.640 .290
** TRE-16	1.0000 25.400	1.375 34.93	1.000 25.40	2.750 69.85	4.125 104.78	2.094 53.19	1 1/4-12	1.875 47.63	1.269 32.23	21000 93413	8 1/2	2.250 1.021

- NOTES**
1. Rod ends with Zerk type grease fittings can be obtained by ordering the TRE-N series; Example: TRE-8N.
  2. Grease fittings are available on sizes 4 through 16 only.
  - \*3. Load ratings apply to the TRE series only. For TRE-N load ratings contact Application Engineering.
  4. To order left hand threaded units add letter "L" to part number prefix; Example: TREL-8.
  5. Add letter "Y" to the part number suffix to indicate stud; Example: TRE-8Y.
  6. For design modifications, see page J-13.
  - \*\* 7. Tolerances for "D" Dimension is +.030, -.010. For "H" Dimension is +.030, -.010.