

# Operating Instructions

## Series D8000 Spring Driven Hose Reels

High Pressure Model Numbers:

D8400 OHP   D8450 OHP   D8630 OHP   D8650 OHP  
D8440 OHP   D8600 OHP   D8640 OHP



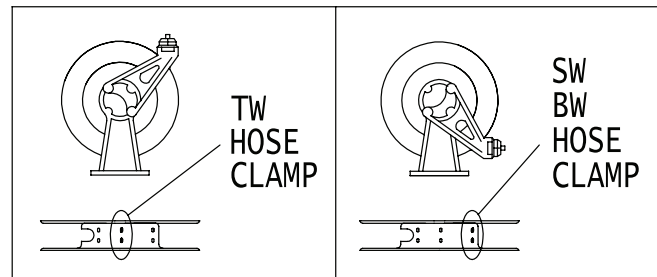
### Dimensions

A	21 1/8"
B	19"
C	7 7/8"
D	3 3/4"
E	9 1/4"

**Caution:** When changing guide arm positions, the U-bolt must be placed in the proper location as instructed below. The reel can "latch out" during use if this instruction is not adhered to.

### SAFETY

1. Do not use reel at higher pressures or temperatures than listed on the back of this bulletin.
2. Remove all spring tension before beginning disassembly process.



### INSTALLATION:

A flexible hose connection must be used between the hose reel inlet and the source of supply to prevent possible misalignment and binding.

### MOUNTING:

The hose reel is equipped with a universal mounting bracket so that it can be mounted on the floor, wall or ceiling; whichever place is convenient. The hose guide arm can be moved to the position desired by removing the screws fastening the guide bracket to the reel base. Shift the guide arm bracket so the hose comes off the reel at the desired position and replace the screws.

### LUBRICATION:

Hose reel spring and bearings are factory lubricated and require no further lubrication.

### REPLACING HOSE:

1. Wind spool flange clockwise-facing swivel-until spring is tight.
2. Back off three turns and latch.
3. Insert hose through roller guide.
4. Connect hose fitting to swivel joint and secure hose with clamps.

### ADJUSTMENTS:

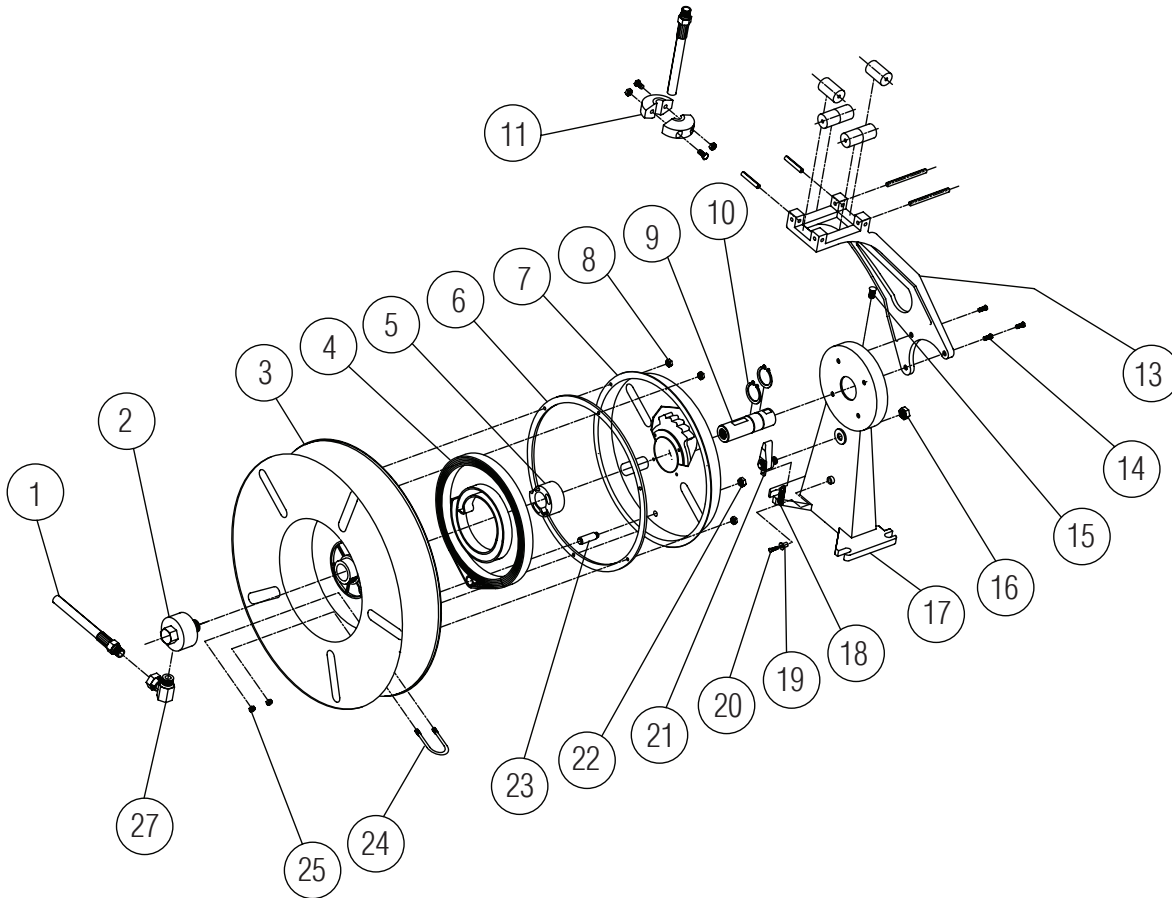
To adjust spring tension, add or remove wraps of hose from the spool, one wrap at a time until desired tension is obtained.

### REPAIRS:

Extensive repairs should be performed only by an authorized serviceman or factory to avoid damage which may void your warranty. Remove all spring tension before beginning disassembly process.

Form# 4788-84 Rev: 8/2015

# Series D8000 Spring Driven Hose Reels



Item #	Description	# Req.	D8400 OHP	D8440 OHP	D8450 OHP	D8600 OHP	D8630 OHP	D8640 OHP	D8650 OHP
1	Hose Assembly	1	None	8-260044	9-260044	None	3-260044	4-260044	5-260044
2	Swivel Assembly	1	S602033	S602033	S602033	S602033	S602033	S602033	S602033
3	Sheave Assembly	1	S260011	S260011	S260011	S260011	S260011	S260011	S260011
4	Drive Spring Assembly	1	S260053	S260053	S260053	S260053	S260053	S260053	S260053
5	Spring Arbor Assembly	1	S600621	S600621	S600621	S600621	S600621	S600621	S600621
6	Gasket	1	S260069	S260069	S260069	S260069	S260069	S260069	S260069
7	Spring Case Assembly	1	S260074	S260074	S260074	S260074	S260074	S260074	S260074
8	10-32 Hex Nut	6	S300011	S300011	S300011	S300011	S300011	S300011	S300011
9	Main Shaft	1	260442-1	260442-1	260442-1	260442-1	260442-1	260442-1	260442-1
10	1 1/4" Snap Ring	3	300007	300007	300007	300007	300007	300007	300007
11	Hose Bumper	1	None	1-HR1004-3A	1-HR1004-3A	None	1-HR1004-A	1-HR1004-A	1-HR1004-A
13	Guide Arm / Roller Assembly	1	260007	260007	260007	260007	260007	260007	260007
14	5/16-18 x 1 1/4" Screw	3	507286	507286	507286	507286	507286	507286	507286
15	1/2-13 Set Screw	1	S35-86	S35-86	S35-86	S35-86	S35-86	S35-86	S35-86
16	1/2-20 Hex Nut	1	S280-8	S280-8	S280-8	S280-8	S280-8	S280-8	S280-8
17	Base Casting	1	260073	260073	260073	260073	260073	260073	260073
18	Latch Spring	1	S260067	S260067	S260067	S260067	S260067	S260067	S260067
19	Latch Bushing	1	S400012	S400012	S400012	S400012	S400012	S400012	S400012
20	10-24 x 1" Screw	1	300042	300042	300042	300042	300042	300042	300042
21	Latch Pawl Ass'y	1	S600083	S600083	S600083	S600083	S600083	S600083	S600083
22	3/8-24 Hex Jam Nut	1	S76-106	S76-106	S76-106	S76-106	S76-106	S76-106	S76-106
23	Spring Case Stud	1	S260031	S260031	S260031	S260031	S260031	S260031	S260031
24	U-bolt	1	3-117440	3-117440	3-117440	3-117440	3-117440	3-117440	3-117440
25	1/4-20 Nyloc Nut	2	261650-1	261650-1	261650-1	261650-1	261650-1	261650-1	261650-1
27	Swivel Union	1	S257-72	S257-72	S257-72	S257-72	S257-72	S257-72	S257-72
Hose I.D. and Length			1/4" x 50'	1/4" x 40'	1/4" x 50'	3/8" x 50'	3/8" x 30'	3/8" x 40'	3/8" x 50'
Reel Inlet Connection			1/2" FPT	1/2" FPT	1/2" FPT	1/2" FPT	1/2" FPT	1/2" FPT	1/2" FPT
Max. Operating Pressure			5000 PSI	5000 PSI	5000 PSI	5000 PSI	4800 PSI	4800 PSI	4800 PSI
Max. Operating Temperature			210 °F	210 °F	210 °F	210 °F	210 °F	210 °F	210 °F