

Operating Instructions

Series B4000 / B5000 / B5005 Spring Driven Reels

Low, Medium and High Pressure Model Numbers:

B4425 OLP	B5450 OLP	B4625 OLP	B5650 OLP
B5825 OLP	B5850 OLP	B5435 OMP	B5630 OMP
B5835 OMP	B5435 OHP	B5625 OHP	



Dimensions - Size Index

		1	2	3
	A	12 7/8"	14 3/8"	17 5/8"
	B	12 3/8"	14"	16 1/2"
	C	8"	9 3/4"	9 3/4"
	D	2 1/2"	2 1/2"	2 1/2"
E	5 5/8"	6 1/8"	5 7/8"	

*Refer to chart on page 2 for size index numbers.

SAFETY

1. Do not use reel at higher pressures or temperatures than listed on the back of this bulletin.
2. Remove all spring tension before beginning disassembly process.

INSTALLATION:

A flexible hose connection must be used between the hose reel inlet and the source of supply to prevent possible misalignment and binding.

MOUNTING:

The hose reel is equipped with a universal mounting bracket so that it can be mounted on the floor, wall or ceiling; whichever place is convenient. The hose guide arm can be moved to the position desired by removing the screws fastening the guide bracket to the reel base. Shift the guide arm bracket so the hose comes off the reel at the desired position and replace the screws.

LUBRICATION:

Hose reel spring and bearings are factory lubricated and require no further lubrication.

REPLACING HOSE:

1. Wind spool flange clockwise-facing swivel-until spring is tight.
2. Back off three turns and latch.
3. Insert hose through roller guide.
4. Connect hose fitting to swivel joint and secure hose with clamps.

ADJUSTMENTS:

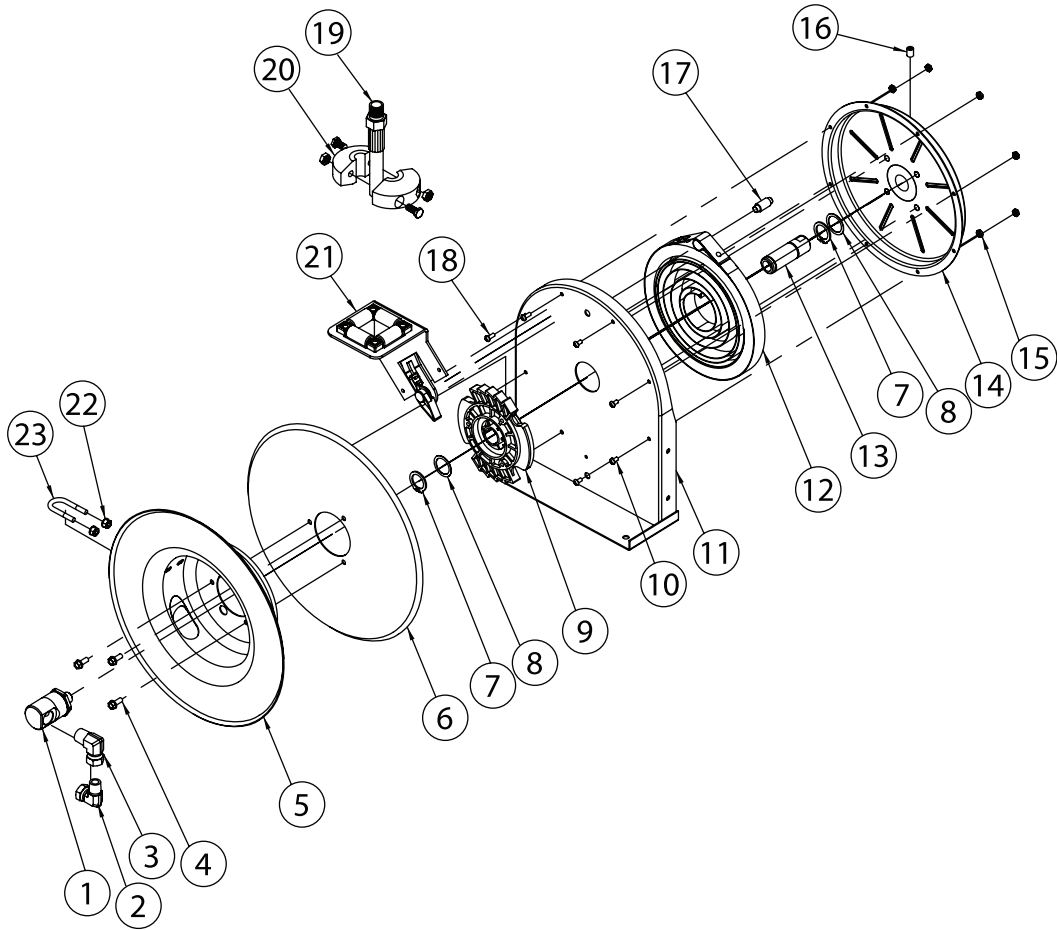
To adjust spring tension, add or remove wraps of hose from the spool, one wrap at a time until desired tension is obtained.

REPAIRS:

Extensive repairs should be performed only by an authorized serviceman or factory to avoid damage which may void your warranty. Remove all spring tension before beginning disassembly process.

Form# 1236-1122 Rev: 8/2015

Series B4000 / B5000 Spring Driven Hose Reels



Item #	Description	# Req.	B4425 OLP	B4435 OLP	B5450 OLP	B4625 OLP	B5635 OLP	B5650 OLP	B5825 OLP
1	Swivel	1	S600886	S600886	S600886	S600886	S600886	S600886	S600915
2	Swivel Union	1	None	None	None	None	None	None	300010
3	Swivel Union	1	None	None	None	None	None	None	300010
4	1/4-10 Self Tapping Screw	3	S295-102	S295-102	S295-102	S295-102	S295-102	S295-102	S295-102
5	Sheave Flange	1	400005	400005	260022	400005	260022	260149	260022
6	Sheave Disc	1	400006	400006	500006	400006	500006	260151	500006
7	1" External Snap Ring	1	300031	300031	300031	300031	300031	300031	300031
8	1" I.D. Spacing Washer	2	300034	300034	300034	300034	300034	300034	300034
9	Ratchet Arbor	1	262008	262008	262008	262008	262008	262008	262008
10	10-32 x 3/8 Machine Screw	Noted	300001 (5)	300001 (5)	300001 (6)	300001 (6)	300001 (5)	300001 (6)	300001 (6)
11	Base Assembly	1	400101	400101	500101	400101	500101	602505	500101
12	Drive Spring Assembly	1	S400030	S400030	S503755	S404230	S504240	S600050	S505740
13	Main Shaft & Snap Ring Assembly	1	602555	602555	602555	602555	602555	602555	602305
14	Spring Case Assembly	1	S400103	S400103	S500103	S400103	S500103	S600094	S500103
15	10-32 Sarrated Hex Lock Nut	Noted	300011 (7)	300011 (7)	300011 (7)	300011 (7)	300011 (7)	300011 (8)	300011 (7)
16	3/8-16 x 1/2 Set Screw	1	300006	300006	300006	300006	300006	300006	300006
17	Spring Case Stud	1	S261360	S261360	S261360	S261360	S261360	S261360	S261360
18	10-32 x 1/2 Machine Screw	2	300002	300002	300002	300002	300002	300002	300002
19	Hose Assembly	1	601001-25	601001-35	601001-50	601013-25	601013-35	601013-50	601020-25
20	Hose Bumper Assembly	1	1-HR1004-A	1-HR1004-A	1-HR1004-A	1-HR1004	1-HR1004	1-HR1004	2-HR1004-3
21	Guide Arm Assembly	1	S602546	S602546	S602547	S602546	S602547	S602548	S602547
22	1/4-20 Hex Flange Lock Nut	2	261650-1	261650-1	261650-1	261650-1	261650-1	261650-1	261650-1
23	U-Bolt	1	3-117440	3-117440	3-117440	3-117440	3-117440	3-117440	3-117440
Dimension - Size Index #			1	1	2	1	2	3	2

Series B4000 / B5000 Spring Driven Hose Reels

Item #	Description	# Req.	B5835 OLP	B5850 OLP	B5435 OMP	B5630 OMP	B5835 OMP	B5435 OHP	B5625 OHP
1	Swivel	1	S600915	602032	602032	602032	602032	600602-1	600602-1
2	Swivel Union	1	300010	300010	S257-25	S257-25	S257-26	S257-2	S257-2
3	Swivel Union	1	300010	300010	S257-72	S257-72	S257-26	S257-2	S257-2
4	1/4-10 Self Tapping Screw	3	S295-102	S295-102	S295-102	S295-102	S295-102	S295-102	S295-102
5	Sheave Flange	1	260022	260149	260022	260022	260149	260149	260022
6	Sheave Disc	1	500006	260151	500006	500006	260151	260151	500006
7	1" External Snap Ring	1	300031	300031	300031	300031	300031	300031	300031
8	1" I.D. Spacing Washer	2	300034	300034	300034	300034	300034	300034	300034
9	Ratchet Arbor	1	262008	262008	262008	262008	262008	262008	262008
10	10-32 x 3/8 Machine Screw	Noted	300001 (6)	300001 (6)	300001 (5)	300001 (6)	300001 (6)	300001 (6)	300001 (6)
11	Base Assembly	1	500101	602505	500101	500101	602505	602505	500101
12	Drive Spring Assembly	1	S505740	S600050	S505740	S505740	S600620	S600620	S507287
13	Main Shaft & Snap Ring Assembly	1	602305	262569	602305	602305	602305	602306	602306
14	Spring Case Assembly	1	S500103	S600094	S500103	S500103	S600094	S600094	S500103
15	10-32 Sarrated Hex Lock Nut	Noted	300011 (8)	300011 (8)	300011 (7)	300011 (7)	300011 (10)	300011 (8)	300011 (7)
16	3/8-16 x 1/2 Set Screw	1	300006	300006	300006	300006	300006	300006	300006
17	Spring Case Stud	1	S261360	S261360	S261360	S261360	S261360	S261360	S261360
18	10-32 x 1/2 Machine Screw	2	300002	300002	300002	300002	300002	300002	300002
19	Hose Assembly	1	601020-35	601022-50	33-260043	16-260043	37-260043	20-260044	13-260044
20	Hose Bumper Assembly	1	2-HR1004-3	2-HR1004-3	1-HR1004-A	1-HR1004-3	2-HR1004-3	1-HR1004	2-HR2004-3
21	Guide Arm Assembly	1	S602547	S602548	S602547	S602547	S602548	S602548	S602547
22	1/4-20 Hex Flange Lock Nut	2	261650-1	261650-1	261650-1	261650-1	261650-1	261650-1	261650-1
23	U-Bolt	1	3-117440	3-117440	3-117440	3-117440	3-117440	3-117440	3-117440
Dimension - Size Index #			3	3	2	2	3	3	2