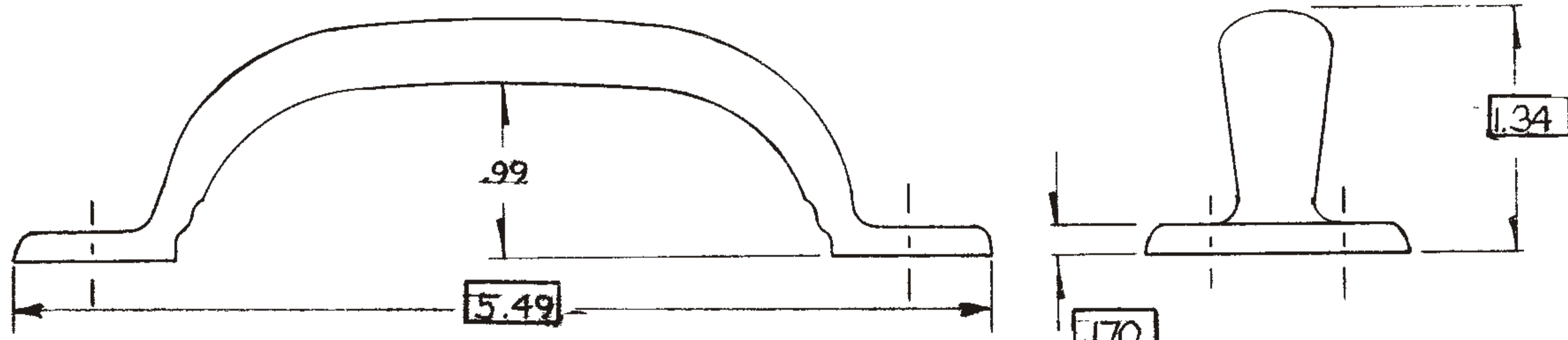
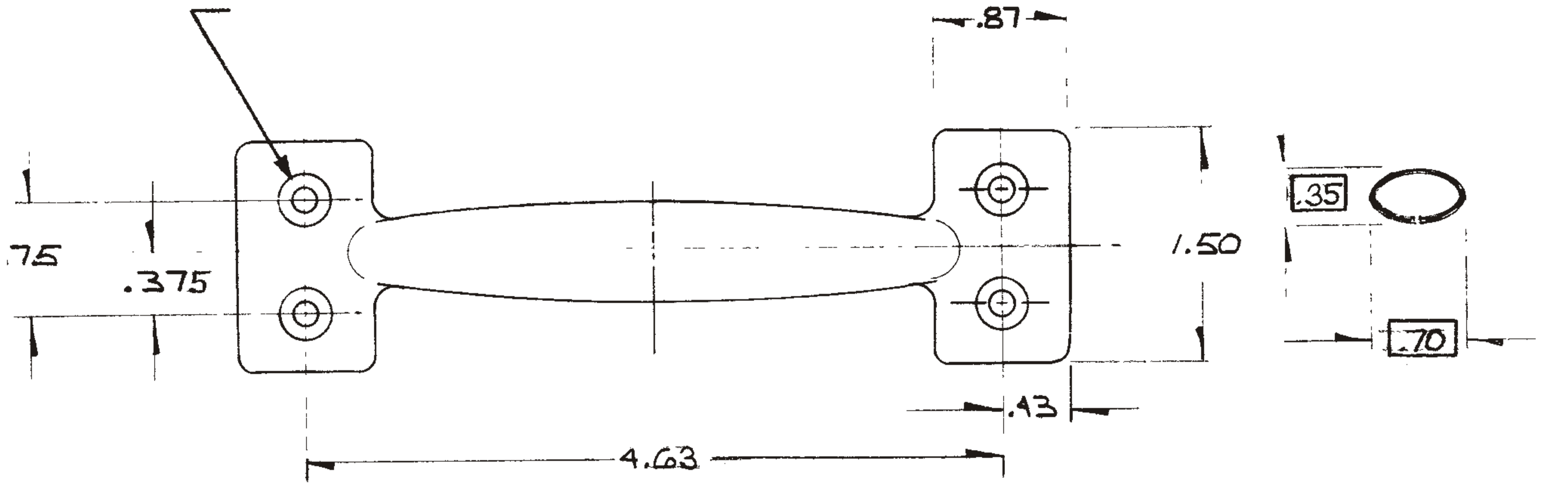


PIERCE .156 DIA



NOTE: STEEL TOLERANCE .050