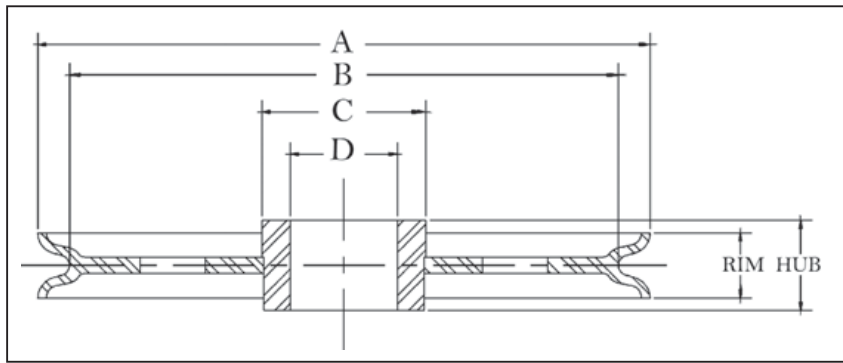


McKissick® Common Bore Sheaves



Common Bore Sheaves

- Roll-Forged sheaves are available in sizes up to 1981mm diameter.
- Common Bore or Plain Bore are terms used when there is merely a hole bored in the center of the sheave.
- Common Bore Sheaves are machined for a running fit for the shaft size listed

"A" Nominal Outside Diameter (mm)	Stock Number	Wireline Size (mm)	"D" Bore Size (mm)	Hub Width (mm)	Rim Width (mm)	"C" Nominal Hub Outside Diameter (mm)	"B" Nominal Tread Diameter (mm)	Material	Approx. Weight (kg)
76.0	905051	5	9.55	19.8	19.1	25.4	60.5	P.M.	.45
76.0	905079	5	12.7	19.8	19.1	25.4	60.5	P.M.	.45
76.0	905097	5	15.9	19.8	19.1	25.4	60.5	P.M.	.45
76.0	905024	6	9.55	12.7	12.7	25.4	66.5	P.M.	.34
76.0	905042	6	12.7	12.7	12.7	25.4	66.5	P.M.	.34
76.0	15410	10	9.55	19.8	19.1	25.4	60.5	P.M.	.45
76.0	905088	10	12.7	19.8	19.1	25.4	60.5	P.M.	.45
76.0	905104	10	15.9	19.8	19.1	25.4	60.5	P.M.	.27
102	905113	5	12.7	19.1	15.9	34.9	89.0	P.M.	.45
102	905131	5	15.9	19.1	15.9	34.9	89.0	P.M.	.45
102	905122	8	12.7	19.1	15.9	34.9	89.0	P.M.	.45
102	905140	8	15.9	19.1	15.9	34.9	89.0	P.M.	.45
102	905168	10	12.7	20.6	19.1	38.1	82.5	P.M.	.57
102	905186	10	15.9	20.6	19.1	38.1	82.5	P.M.	.57
102	905202	10	19.1	20.6	19.1	38.1	82.5	P.M.	.57
102	905220	13	12.7	27.0	25.4	41.3	81.0	P.M.	.68
102	905248	13	15.9	27.0	25.4	41.3	81.0	P.M.	.68
102	905266	13	19.1	27.0	25.4	41.3	81.0	P.M.	.68
127	905275	5	15.9	23.8	22.2	57.0	108	P.M.	1.02
127	905293	5	19.1	23.8	22.2	57.0	108	P.M.	1.02
127	905284	10	15.9	23.8	22.2	57.0	108	P.M.	1.25
127	905300	10	19.1	23.8	22.2	57.0	108	P.M.	1.02
127	905328	13	15.9	27.0	25.4	57.0	102	P.M.	1.13
127	905364	13	15.9	30.2	28.6	57.0	102	D.I.	1.81
127	905346	13	19.1	27.0	25.4	57.0	102	P.M.	1.13
127	905382	13	19.1	30.2	28.6	57.0	102	D.I.	1.81
127	905408	13	22.2	30.2	28.6	57.0	102	D.I.	1.81
152	905426	10	12.7	20.6	19.1	47.6	127	D.I.	1.13
152	905480	10	12.7	27.0	25.4	47.6	127	D.I.	1.13
152	905462	10	15.9	20.6	19.1	47.6	127	P.M.	1.13
152	905523	10	19.1	27.0	25.4	47.6	127	P.M.	1.89
152	909020	13	22.2	27.0	25.4	47.6	124	P.M.	1.70
152	909066	16	19.1	33.3	31.8	47.6	121	P.M.	1.70
152	909084	16	22.2	33.3	31.8	47.6	121	P.M.	1.70
152	909100	16	25.4	33.3	31.8	47.6	121	P.M.	1.70
152	909164	19	25.4	39.7	38.1	76.2	117	P.M.	3.06
171	905694	6	19.1	30.2	28.6	51.0	149	D.I.	2.27
171	905710	6	25.4	30.2	28.6	51.0	149	D.I.	2.27
171	905701	10	19.1	30.2	28.6	51.0	149	D.I.	2.27
171	905729	10	25.4	30.2	28.6	51.0	149	D.I.	2.27
178	905621	13	19.1	27.0	25.4	51.0	140	D.I.	2.38
178	905649	13	22.2	27.0	25.4	51.0	140	D.I.	2.38
203	905747	13	19.1	28.6	25.4	60.5	175	D.I.	2.27
203	905765	13	22.2	28.6	25.4	60.5	175	D.I.	2.27

Custom sheaves are available. See page 287 for ordering details.