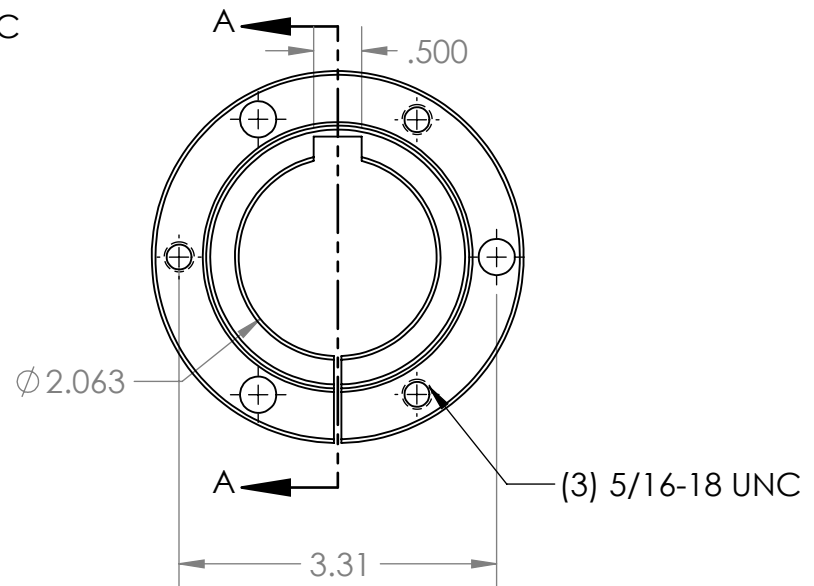
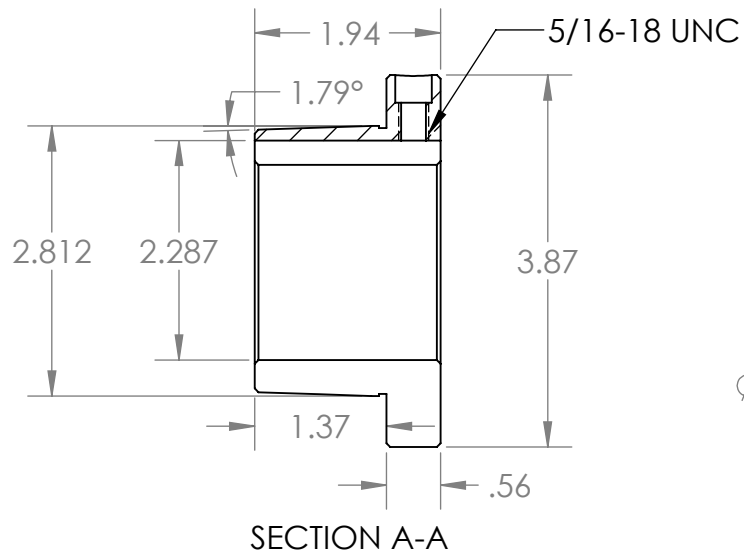
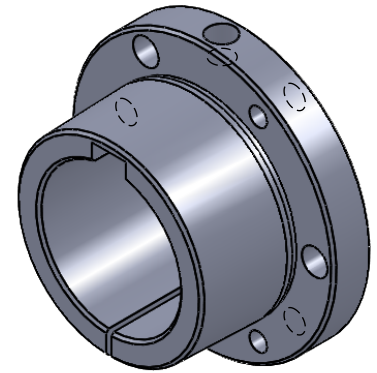


2

1

B

B



A

A

<p><b>PROPRIETARY AND CONFIDENTIAL</b> THE INFORMATION CONTAINED IN THIS DRAWING IS THE SOLE PROPERTY OF MASTERDRIVE, INC. ANY REPRODUCTION IN PART OR AS A WHOLE WITHOUT THE WRITTEN PERMISSION OF MASTERDRIVE, INC. IS PROHIBITED.</p>					NAME	DATE	<p><b>MASTERDRIVE</b><sup>®</sup> POWER TRANSMISSION PRODUCTS</p> <p>TITLE: <b>SK2.1/16</b></p>	
					DRAWN	EDG 07/22/20		
					CHECKED			
					ENG APPR.			
					MFG APPR.			
					Q.A.		<p>SIZE DWG. NO. REV</p> <p><b>A</b> SK2.063</p>	
NEXT ASSY	USED ON	INTERPRET GEOMETRIC TOLERANCING PER:	MATERIAL	COMMENTS:				
		QT450-10 (Ductile Iron)	FINISH					
APPLICATION		DO NOT SCALE DRAWING	Black Phosphate			SCALE: 1:2	WEIGHT:	SHEET 1 OF 1

2

1