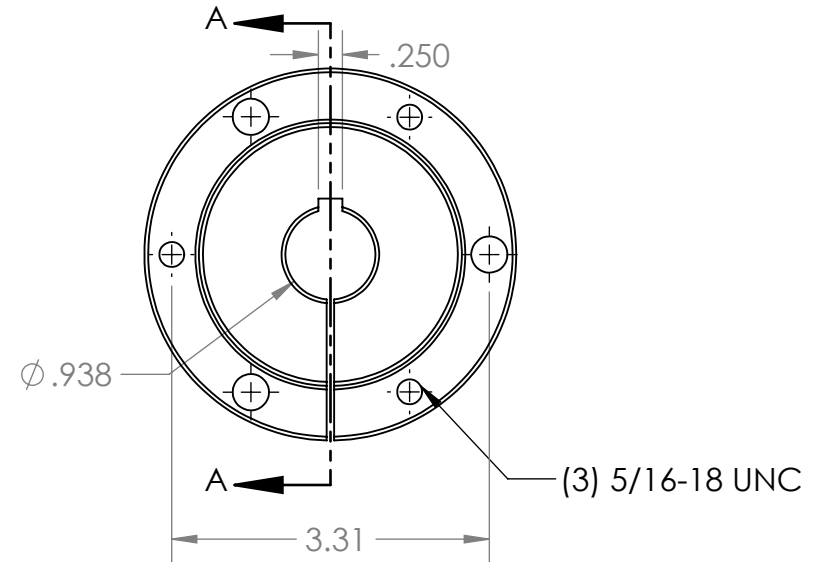
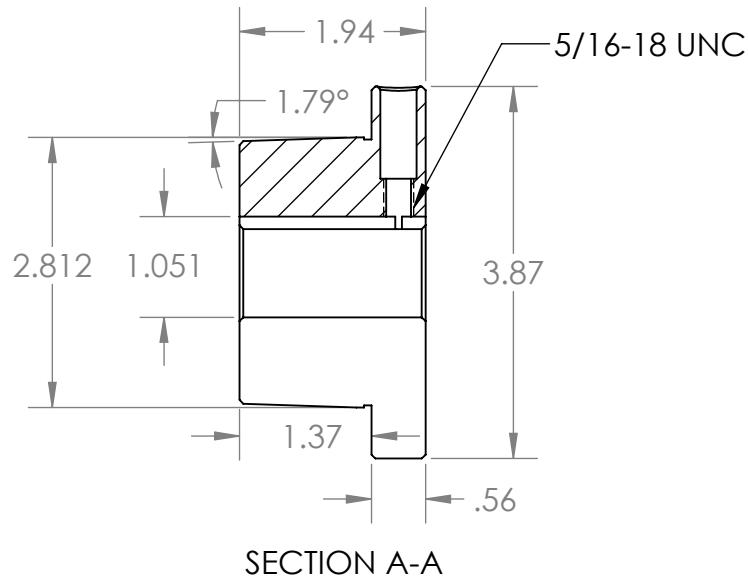
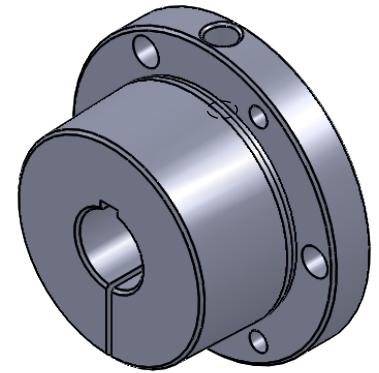


2

1

B

B



A

A

| | | | | | | | | |
|---|---------|--------------------------------------|-------------------------|------------|-----------|--------------|---|--------------------------------|
| <p>PROPRIETARY AND CONFIDENTIAL</p> <p>THE INFORMATION CONTAINED IN THIS DRAWING IS THE SOLE PROPERTY OF MASTERDRIVE, INC. ANY REPRODUCTION IN PART OR AS A WHOLE WITHOUT THE WRITTEN PERMISSION OF MASTERDRIVE, INC. IS PROHIBITED.</p> | | | | | NAME | DATE | <p>MASTERDRIVE[®] POWER TRANSMISSION PRODUCTS</p> | |
| | | | | | DRAWN | EDG 07/21/20 | | <p>TITLE:</p> <h1>SK15/16</h1> |
| | | | | | CHECKED | | | |
| | | | | | ENG APPR. | | | |
| | | | | | MFG APPR. | | | |
| | | | | | Q.A. | | <p>SIZE DWG. NO. REV</p> <p>A SK0.938</p> | |
| NEXT ASSY | USED ON | INTERPRET GEOMETRIC TOLERANCING PER: | MATERIAL | COMMENTS: | | | | |
| | | | QT450-10 (Ductile Iron) | | | | | |
| | | FINISH | Black Phosphate | SCALE: 1:2 | | | WEIGHT: | SHEET 1 OF 1 |
| APPLICATION | | | DO NOT SCALE DRAWING | | | | | |

2

1