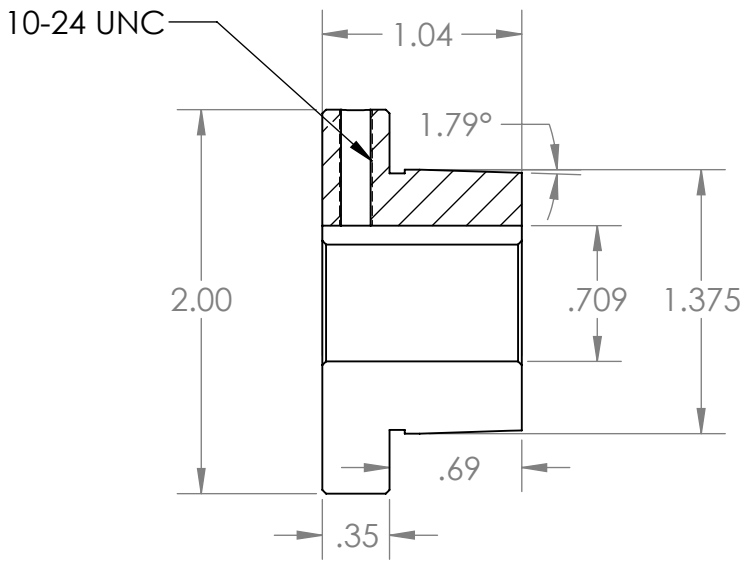
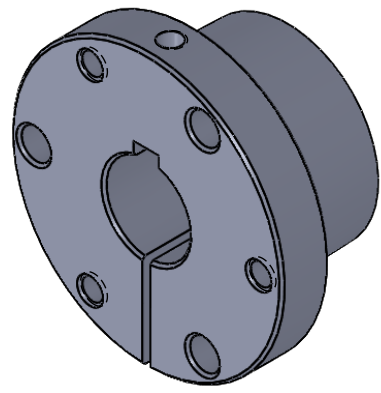


2

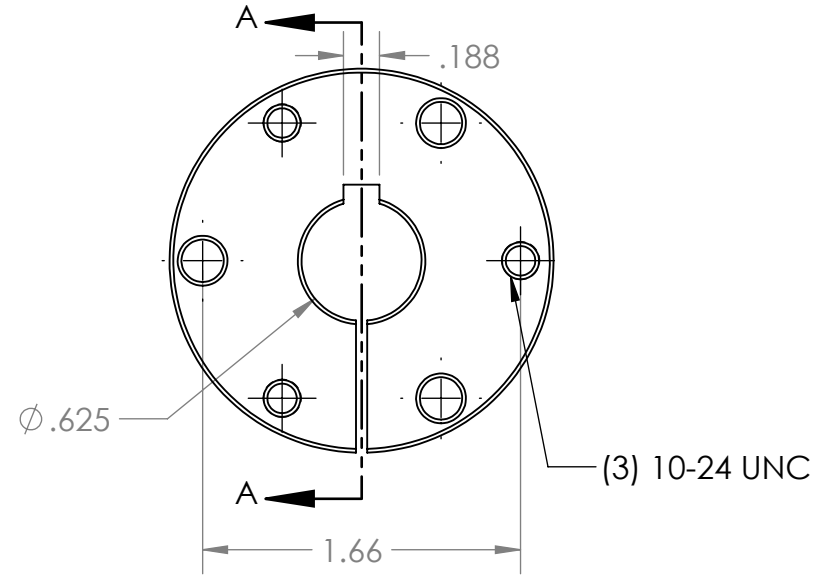
1

B

B



SECTION A-A



A

A

			NAME	DATE
			EDG	07/16/20
			CHECKED	
			ENG APPR.	
			MFG APPR.	
			Q.A.	
			COMMENTS:	
		INTERPRET GEOMETRIC TOLERANCING PER:		
		MATERIAL	QT450-10 (Ductile Iron)	
		FINISH	Black Phosphate	
	NEXT ASSY	USED ON		
	APPLICATION		DO NOT SCALE DRAWING	



TITLE: **JA5/8**

SIZE **A** DWG. NO. **JA0.625** REV

SCALE: 1:1 WEIGHT: SHEET 1 OF 1

**PROPRIETARY AND CONFIDENTIAL**  
 THE INFORMATION CONTAINED IN THIS DRAWING IS THE SOLE PROPERTY OF <INSERT COMPANY NAME HERE>. ANY REPRODUCTION IN PART OR AS A WHOLE WITHOUT THE WRITTEN PERMISSION OF <INSERT COMPANY NAME HERE> IS PROHIBITED.

2

1