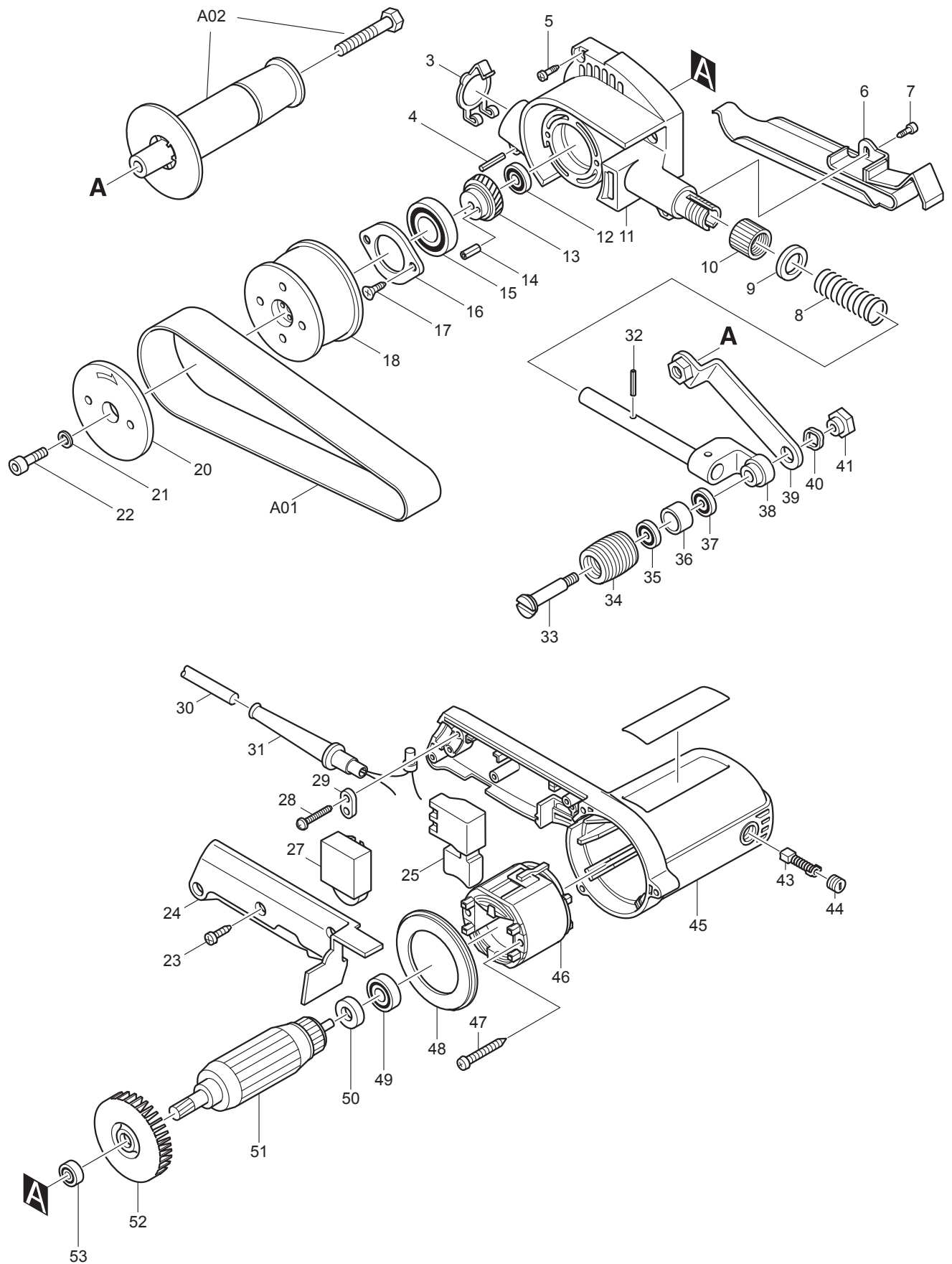




07 - 2009

9031

1-3/16" X 21" BELT SANDER



Item No	Type	Sub	Part No	Description	Qty	Unit
001			152490-4	GRIP 36 COMPLETE	1	PC.
003			286241-4	CAP 30	1	PC.
004			951116-3	SPRING PIN 4-20	1	PC.
005	2		265999-8	TAPPING SCREW 4X25	3	PC.
006			342152-4	FLAT SHOE	1	PC.
007			266035-3	TAPPING SCREW BIND CT 5X12	1	PC.
008			231056-4	COMPRESSION SPRING 13	1	PC.
009			253052-2	FLAT WASHER 12	1	PC.
010			252605-4	WING NUT M16	1	PC.
011	2		144743-5	* GEAR HOUSING COMPLETE	1	PC.
		INC.	263002-9	* RUBBER PIN 4	1	PC.
012			211023-5	BALL BEARING 607LB	1	PC.
013			226435-9	HELICAL GEAR 35	1	PC.
014			258009-8A	SPRING PIN 3.5-12	1	PC.
015			211331-4	BALL BEARING 6904DDW	1	PC.
016			285830-2	BEARING RETAINER 44	1	PC.
017			266058-1	TAPPING SCREW CT 4X12	2	PC.
018			222129-4	PULLEY 33-64	1	PC.
020			415624-3	PULLEY LINER	1	PC.
021			941101-4	FLAT WASHER 5	1	PC.
022			266067-0	HEX. SOCKET HEAD BOLT M5X20	1	PC.
023	2		265995-6	TAPPING SCREW 4X18	3	PC.
024			415635-8	HANDLE COVER	1	PC.
025			651263-7	SWITCH SGEL206C	1	PC.
027	2		631676-8	CONTROLLER	1	PC.
028			265995-6	TAPPING SCREW 4X18	2	PC.
029			687063-9	CORD CLAMP (STRAIN RELIEF)	1	PC.
030			664064-4	CORD W/PLUG 2P-18-2.5M, SJ	1	PC.
031			682502-4	CORD GUARD 8-85	1	PC.
032			951116-3	SPRING PIN 4-20	1	PC.
033			322746-1	TOP PULLEY SHAFT	1	PC.
034			222130-9	PULLEY 30-25	1	PC.
035			210015-1	BALL BEARING 688DDW	1	PC.
036			331450-1	SLEEVE 12	1	PC.
037			210015-1	BALL BEARING 688DDW	1	PC.
038			154417-0	ANGLE STAY COMPLETE	1	PC.
039			165110-1	ARM COMPLETE	1	PC.
040			253904-7	WAVE WASHER 12	2	PC.
041			252138-9	HEX. NUT M6-17	1	PC.
042			857678-8	NAME PLATE F/9031	1	PC.
043	2		195008-8	CARBON BRUSH CB-408 2PC/SET (W/ ORIGIN)	1	SET
044			643550-8	BRUSH HOLDER CAP 5-8	2	PC.
045			159747-4	MOTOR HOUSING COMPLETE	1	PC.
		INC.	643932-4	BRUSH HOLDER 6X9 (OLD# 643917-0)	2	PC.
046	1		593316-5	* FIELD ASS'Y 115V	1	PC.
		INC.	654100-4	RING TERMINAL	2	PC.
		INC.	654501-6	CONNECTOR P-1.25	2	PC.
	2		594717-0	* FIELD ASS'Y 115V	1	PC.
		INC.	654100-4	RING TERMINAL	2	PC.
		INC.	654501-6	CONNECTOR P-1.25	2	PC.
047	2		266052-3	TAPPING SCREW 4X60	2	PC.
048			415634-0	BAFFLE PLATE	1	PC.
049			211028-5	BALL BEARING 627LB	1	PC.

Item No	Type	Sub	Part No	Description	Qty	Unit
050			681614-0	INSULATION WASHER	1	PC.
051			517146-0	ARMATURE ASS'Y 115V	1	PC.
		INC.		Item No. 49,50,52,53	1	PC.
052			241884-9	FAN 60	1	PC.
053			210005-4	BALL BEARING 608DDW	1	PC.
100			652008-6	P.H.SCREW M3.5X7	4	PC.
101			654037-5	INSULATED EYE TERMINAL FT1.25-M3	4	PC.
102			654593-5	SPLICE	2	PC.
E01			892672-3	CAUTION LABEL (SP)	1	PC.

ACCESSORIES

- See catalogue or visit www.makita.ca for more optional accessories -

A01			742301-7	ABRASIVE BELT 30X533 #40 DAXB, 10PCS/SET	2	PC.
A01			742302-5	ABRASIVE BELT 30X533 #60 DAXB, 10PCS/SET	2	PC.
A01			742303-3	ABRASIVE BELT 30X533 #80 DAXB, 10PCS/SET	2	PC.
A01			742304-1	ABRASIVE BELT 30X533 #100 DAXB, 10PCS/SET	2	PC.
A01			742305-9	ABRASIVE BELT 30X533 #120 DAXB, 10PCS/SET	2	PC.
A02	2		153489-2	GRIP 36 COMPLETE (Resin Grip)	1	PC.
		INC.	921462-8	HEX BOLT M8X40	1	PC.
A03			777777-A	TOUCH-N-CLEAN STICK	1	PC.

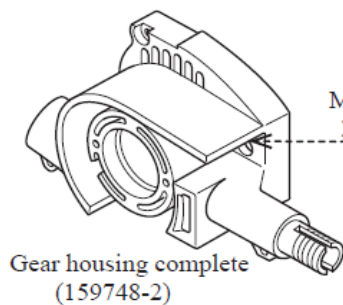
SERVICE CHANGES

1. Changes on Gear Housing Complete

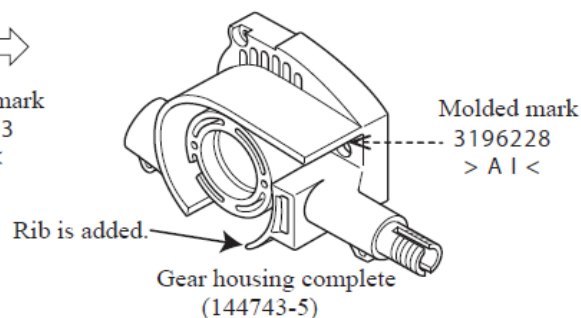
(TI#B7763)

Item No.	Description	Type 1	Type 2
11	GEAR HOUSING COMPLETE	159748-2	144743-5

Type 1



Type 2



2. Changes on Armature and Wiring

(TI#C4626)

Item No.	Description	Type 1	Type 2
46	ARMATURE	593316-5	594717-0

See T/I# C4626 for Wiring change