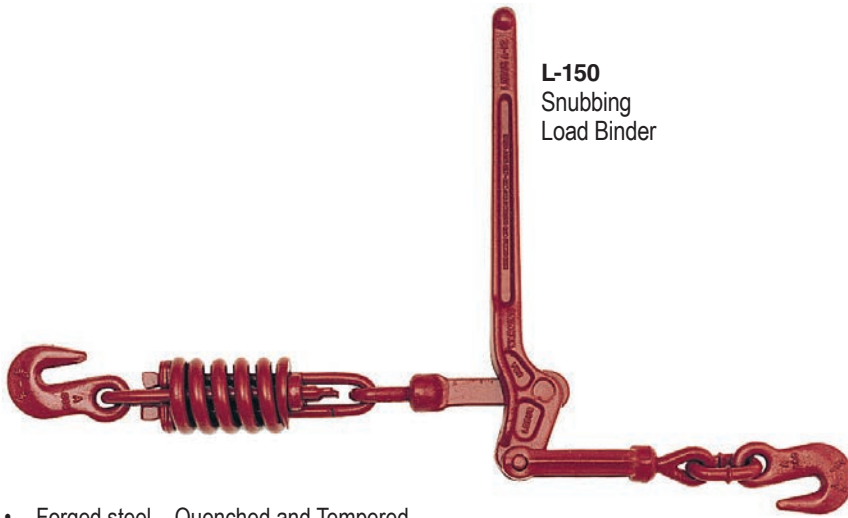
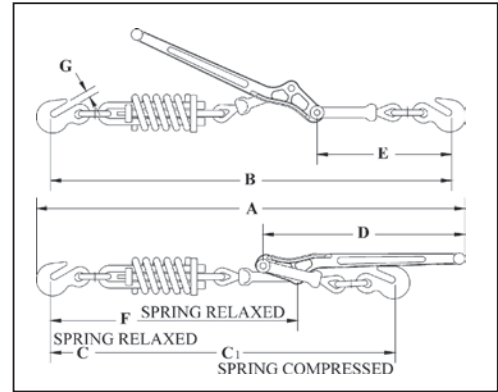


# Lebus® Load Binders



**L-150**  
Snubbing  
Load Binder



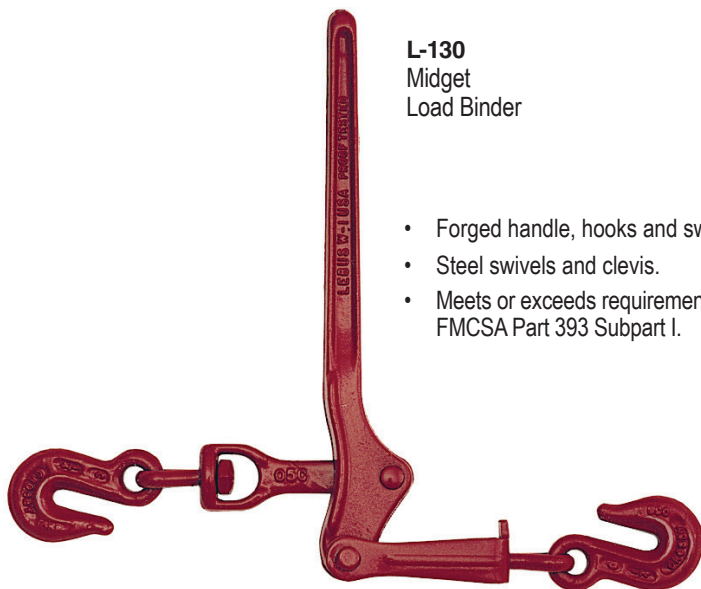
- Forged steel – Quenched and Tempered.
- Spring cushion for load protection, cushions shock and sway.
- Binder toggles away from the load.



## L-150 Snubbing Load Binders

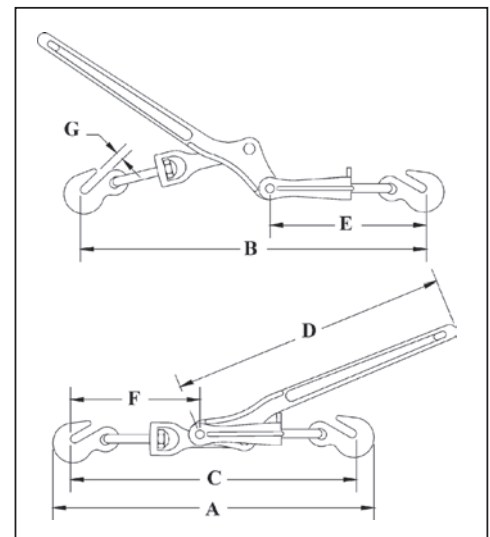
Model	Stock No.	Min-Max Chain Size (in.)	Working Load Limit (lbs.)	Ultimate Load (lbs.)	Weight Each (lbs.)	Handle Length (in.)	Take Up (in.)	Compression Strength of Spring (lbs.)	Dimensions (in.)							
									A	B	C	C1	D	E	F	G
7-12	1048280	5/16 - 3/8	5400	16000	11.25	16.00	4.25	2300	32.75	30.75	28.00	26.50	16.00	10.38	19.00	.50
A-12	1048306	3/8 - 1/2	9200	20000	18.69	18.50	4.50	3300	37.19	34.00	29.50	30.44	18.69	12.31	20.88	.63

Chain & Accessories



**L-130**  
Midget  
Load Binder

- Forged handle, hooks and swivel link.
- Steel swivels and clevis.
- Meets or exceeds requirements of US DOT FMCSA Part 393 Subpart I.



## L-130 Midget Load Binders

Model	L-130 Stock No.	Min-Max Chain Size (in.)	Working Load Limit (lbs.)	Ultimate Load (lbs.)	Weight Each (lbs.)	Take Up (in.)	Dimensions (in.)						
							A	B	C	D	E	F	G
W-1	1048100	3/16-1/4	1450	5100	2.57	2.40	13.63	16.13	11.00	11.25	6.25	6.56	.34