



Standard Construction Features

Belt Type: Synchronous
 Core Material: Oil & Heat Resistant (chloroprene)
 Cord/Tensile: Fiberglass
 Jacket: Nylon



Belt Section Dimensions

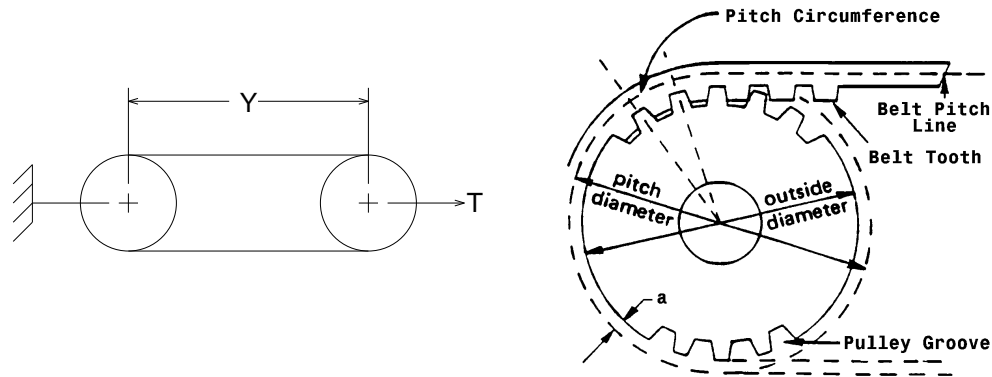
| Tooth Type | Pitch (in) | h_s (in) | h_t (in) |
|------------|------------|------------|------------|
| TRAP | 3/8 | 0.135 | 0.075 |

Belt Dimensions

| Pitch Length (in) | No. Teeth | Width (in) |
|------------------------|-----------|------------------------|
| 31.50 +0.026 -0.026 | 84 | 0.500 +0.030 -0.030 |

Measuring Information

| Y (in) | T (lbf) | No. Teeth | O.D. (in) | Pitch Circum. (in) | Radial Runout (in) | Axial Runout (in) | PLD 2a (in) |
|------------------------|---------|-----------|-----------|--------------------|--------------------|-------------------|-------------|
| 12.75 +0.013 +0.013 | 24 | 16 | 1.88 | 6.00 | 0.0005 | 0.0010 | 0.030 |



DesignView™ Belt Information Sheet

Created 28 Jun 2017 by Gates

Created for
PowerGrip Timing - L

Gates Product Number
9257-2123

Customer Part Number
315L050

The length shall be measured by placing the belts on two pulleys of equal diameters that have been grooved in accordance with standard specifications and rotated at least three complete turns with the specified tension so that each strand receives half the total tension. The length will be that length obtained by adding the Pitch Circumference of one pulley to twice the center distance (dimension 'Y').