

## Push-in fittings and connectors QS

**FESTO**



Festo core product range  
Covers 80% of your automation tasks

Worldwide:

Always in stock

Superb:

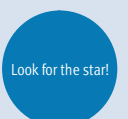
Festo quality at an attractive price

Easy:

Reduces procurement and storing complexity

★ Ready for dispatch from the Festo factory in 24 hours  
Held in stock in 13 service centres worldwide  
More than 2200 products

★ Ready for dispatch in 5 days maximum from stock  
Assembled for you in 4 service centres worldwide  
Up to 6 x 10<sup>12</sup> variants per product series



# Push-in fittings QS

Features



## Application



Effortless selection of the right fitting. Festo offers a secure solution for every connection. The convenient push-in fitting system includes well over 1000 types of standard and function fittings.

| Summary of tubing/fitting combinations                     |         |            |   |
|--|---------|------------|---|
| Applications   | Fitting | Tubing     | Description   |
| Standard   | QS      | PEN        | Suitable for a wide range of tasks and attractively priced. Flexible thanks to highly resistant materials, easy to install thanks to optimised bending radii. High level of abrasion resistance in dynamic applications.                    |
|  | QS      | PUN        | Maximum flexibility in standard applications thanks to an extremely wide range of options for combining the different types.  |
|  | QS      | PAN        | Meets all requirements, even for standard applications with increased pressure and temperature ranges.  |
| High pressures   | NPQM    | PAN-MF     | Meets DIN standard 73378: ideal for use in mobile pneumatics. Suitable for increased temperature ranges combined with high pressure ranges.   |
|  | NPQH    | PAN-R      | Powerful in pressure ranges up to 20 bar, for example in applications with the pressure booster DPA.  |
| Resistant to chemicals, food safe and hydrolysis resistant | NPQP    | PLN        | Resistant to cleaning agents, FDA compliant and economical. Can be used instead of the combination with stainless steel fittings.   |
|  | NPKA    | PUN-H      | Hydrolysis resistant and suitable for water applications. Combination suitable for use in clean rooms, FDA compliant and corrosion resistant thanks to 100% polymer construction. Very easy to install thanks to the "one click principle". |
|  | NPQH    | PFAN/PTFEN | For high temperatures up to 150 °C. Suitable for use in the food industry, FDA compliant and resistant to cleaning agents.  |
|  | NPCK    | PFAN/PTFEN | Easy to clean thanks to the union nut's edge-free design. Maximum resistance to corrosion (CRC 4) and FDA compliant. Suitable for a wide range of media.  |
|  | CRQS    | PFAN/PTFEN | Maximum resistance to corrosion (CRC 4) and to aggressive acids and lyes.   |
| Anti-static  | NPQM    | PUN-CM     | Anti-static tubing plus solid metal fitting: maximum protection for electrical and electronic components.   |
| Flame retardant  | NPQM    | PUN-V0     | Very safe in areas where there is a risk of fire thanks to flame-retardant properties. The tubing has been tested to DIN 5510-2.  |
| Resistant to welding spatter                               | NPQH    | PUN-V0-C   | Ideal for applications involving welding spatter. Reliable thanks to a tubing wall thickness of 2 mm for all diameters.   |
|  | QS-V0   | PAN-V0     | Safe even in the mediate vicinity of welding spatter thanks to the double-walled tubing with special fitting.   |

# Push-in fittings QS

Features

FESTO

## Push-in fittings product range

QSM, mini series

Technical data → Internet: qsm



Miniature push-in fittings for maximum component density in confined spaces. For pneumatic applications with a temperature range up to 80 °C and a pressure range up to 14 bar. Tubing O.D.∅ of 2, 3, 4 and 6 mm with connecting threads M3, M5, M6, M7, R $\frac{1}{8}$  and G $\frac{1}{8}$ .

QS, standard series

Technical data → Internet: qs



Wide selection of push-in fittings for pneumatic applications with a temperature range up to 80 °C and a pressure range up to 14 bar. Tubing O.D.∅ of 4, 6, 8, 10, 12, 16 and 22 mm with connecting threads R $\frac{1}{8}$  ... R $\frac{1}{2}$  and G $\frac{1}{8}$  ... G $\frac{3}{4}$ .

CRQS, stainless steel

Technical data → Internet: crqs



Stainless steel push-in fitting. High corrosion resistance (CRC4) and chemical resistance with approval for use in the food and packaging industry. For pneumatic applications with a temperature range up to 120 °C and a pressure range up to 10 bar. Tubing O.D.∅ of 4, 6, 8, 10, 12 and 16 mm with connecting threads M5 and R $\frac{1}{8}$  ... R $\frac{1}{2}$ .

QS-V0, weld spatter resistant

Technical data → Internet: qs-v0



Flame-retardant push-in fitting for use in all areas where there is a risk of fire, for example welding systems in the automotive industry and in the construction industry. For pneumatic applications with a temperature range up to 60 °C and a pressure range up to 10 bar. Tubing O.D.∅ of 4, 6, 8, 10 and 12 mm with connecting threads R $\frac{1}{8}$  ... R $\frac{1}{2}$  and G $\frac{1}{8}$  ... G $\frac{1}{2}$ .

NPQH

Technical data → Internet: npqh



All metal push-in fitting made of chemically nickel-plated brass. High corrosion resistance (CRC3) and chemical resistance. For pneumatic applications with a temperature range up to 150 °C and a pressure range up to 20 bar. Tubing O.D.∅ of 4, 6, 8, 10, 12 and 14 mm with connecting threads M5, M7 and G $\frac{1}{8}$  ... G $\frac{1}{2}$ .

NPQM

Technical data → Internet: npqm



Attractively priced metal push-in fitting for pneumatic applications with a temperature range up to 70 °C and a pressure range up to 16 bar. Tubing O.D.∅ of 3, 4, 6, 8, 10, 12 and 14 mm with connecting threads M5, M7 and G $\frac{1}{8}$  ... G $\frac{1}{2}$ .

NPQP

Technical data → Internet: npqp



Polypropylene fitting for use in applications with extreme media influences. For pneumatic applications with a temperature range up to 60 °C and a pressure range up to 10 bar. Tubing O.D.∅ of 4, 6, 8, 10 and 12 mm with connecting threads R $\frac{1}{8}$  ... R $\frac{1}{2}$ .

# Push-in fittings QS

Features

FESTO

## Functional push-in fittings product range

QSK, self-sealing push-in fitting

Technical data → Internet: qsk



Push-in fitting that blocks the air flow after the tubing is disconnected. For pneumatic applications with a temperature range up to 60 °C and a pressure range up to 14 bar. Tubing O.D.∅ of 4, 6, 8, 10 and 12 mm with connecting threads M5, R1/8 ... R1/2 and G1/8 ... G1/2.

QSR, rotary push-in fitting

Technical data → Internet: qsr



Push-in fitting with swivel connection, rotatable by 360°. The ball bearing enables rotating movements in the application up to max. 500 rpm. For pneumatic applications with a temperature range up to 60 °C and a pressure range up to 14 bar. Tubing O.D.∅ of 4, 6, 8, 10 and 12 mm with connecting threads M5, R1/8 ... R1/2 and G1/8 ... G1/2.

## Quick connectors product range

NPCK

Technical data → Internet: npck



Stainless steel fitting for use in areas subject to intensive cleaning. Highest level of corrosion resistance (CRC 4). For pneumatic applications with a temperature range up to 120 °C and a pressure range up to 12 bar. Tubing O.D.∅ of 4, 6, 8 and 10 mm with connecting thread M5 and G1/8 ... G3/8.

## Click fittings product range

NPKA

Technical data → Internet: npka



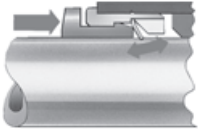
Plastic fitting for easy installation with one-hand operation. Hydrolysis resistant, FDA compliant and easy to clean. For pneumatic applications with a temperature range up to 60 °C and a pressure range up to 10 bar. Tubing O.D. 6 mm with connecting thread G1/8.

# Push-in fittings QS

Key features

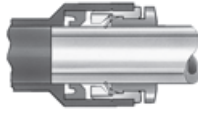
FESTO

## Simply "plug and work"



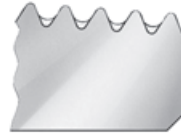
The stainless steel retaining claw within the fitting holds the tubing securely without damaging its surface. Vibration and pressure surges are safely absorbed.

## Reliably connected



A nitrile rubber sealing ring guarantees a perfect seal between standard OD tubing and the body of the fitting. Standard tubing is suitable for use with compressed air and vacuum.

## Captive seal



All brass parts of Festo's push-in fittings are nickel plated and are thus highly resistant to corrosion. The tapered ISO R threads have a self-sealing PTFE coating, which allows the fitting to be re-used up to five times without the need for additional sealing components.

## Orientable



The fitting can be aligned after assembly.

## Tube assembly/disassembly

### Mounting

The prerequisite for ensuring that the inside seal is securely held and protected against damage is that the tube be cut to straight lengths and deburred.

- 1) Insert tubing until the end stop. It is important to ensure that the tubing is inserted into the inside

seal. Depending on the tolerance position of the tubing and the seal, the contact of the tubing with the seal may be wrongly interpreted as the end stop.

- 2) Check that the tubing connector is securely held by pulling gently on the tube.

### Dismantling

- 1) The tubing can be detached easily by pressing down and holding the releasing ring. Remove the tubing carefully from the threaded connector.

- 2) Before re-using the tubing, remove the damaged part by cutting it off.

# Push-in fittings QS

Key features

## Which fitting fit which thread?

### Metric parallel thread

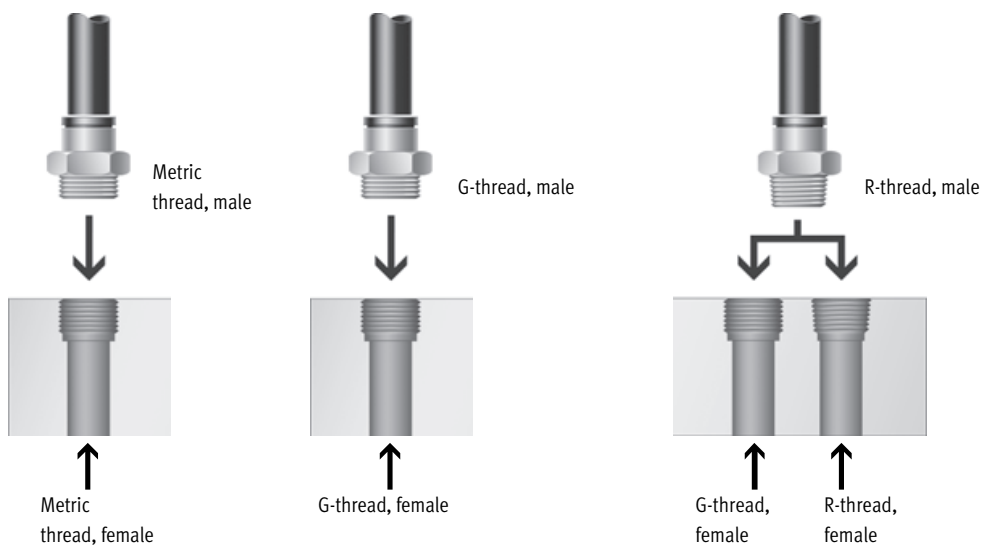
- Cylindrical metric thread is comparable with G thread
- Sealing is guaranteed via a sealing ring
- Sealing on front face

### G parallel thread to ISO 228-1

- Shorter thread
- Constant installation depth
- Replaceable sealing ring
- Sealing on front face
- Can be re-used a number of times thanks to replaceable sealing ring

### R tapered thread to EN 10226-1 and ISO 7/1

- Self-sealing thread
- Sealing via coated threads
- No additional sealing surface required
- Smaller installation dimensions since there is no need for a rebate for the sealing surface
- Can be re-used up to five times

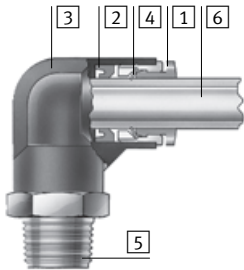


# Push-in fittings QS

Technical data

## Materials

Sectional view



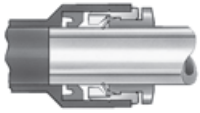
| Size                                   | QSM, mini series<br>QS, standard series                     |
|--|---|
| 1 Release ring                         | POM (colour: blue)  |
| 2 Seal                                 | NBR   |
| 3 Body                                 | Nickel-plated brass, PBT<br>QSM-M3-3/4: Nickel-plated steel |
| 4 Tube retaining claw                  | High-alloy stainless steel                                  |
| 5 Threaded coupling                    | Nickel-plated brass<br>M3: Nickel-plated steel              |
| 6 Plastic tubing<br>with standard O.D. | PAN<br>PEN<br>PUN<br>PUN-H                                  |
| Note on materials                      | RoHS-compliant  |

| Size                                   | QS-V0, weld spatter resistant       |
|--|-------------------------------------|
| 1 Release ring                         | PBT-reinforced (colour: black)      |
| 2 Seal                                 | NBR                                 |
| 3 Body                                 | PBT-reinforced                      |
| 4 Tube retaining claw                  | High-alloy stainless steel<br>Brass |
| 5 Threaded coupling                    | Nickel-plated brass                 |
| 6 Plastic tubing<br>with standard O.D. | PAN-V0                              |
| Note on materials                      | RoHS-compliant                      |

# Push-in fittings QS

Technical data

## Tubing insertion depth




| Tubing O.D. [mm]              | 2   | 3   | 4               | 6               | 8    | 10   | 12   | 14 | 16   | 22 |
|-------------------------------|-----|-----|-----------------|-----------------|------|------|------|----|------|----|
| QSM, mini series              | 8.4 | 9.5 | 11.5            | 12              | -    | -    | -    | -  | -    | -  |
| QS, standard series           | -   | -   | 15<br>(QSW: 12) | 17<br>(QSW: 12) | 18   | 20.5 | 23.5 | -  | 24.5 | 28 |
| QS-V0, weld spatter resistant | -   | -   | 20              | 22              | 23.5 | 26   | 28.5 | -  | -    | -  |

## Recommended tightening torque



When using push-in fittings with internal hex, ensure that the Allen key is not inserted too far into the fitting to prevent the risk of damage to components behind the fitting.

 Note  
 All R-threads are coated with a sealing material. This coating replaces the conventional sealing ring. Simply screw in the R-thread by hand and tighten it with 1 or 2 turns of a spanner. The fitting can be reinstalled up to five times. When screwing in R-threads several times, you must make sure that the abraded particles from the sealing material coating cannot enter the compressed air system.

| Connecting thread             | Nominal tightening torque [Nm] |
|-------------------------------|--------------------------------|
| <b>M thread</b>               |                                |
| M3                            | 0.48 ±55%                      |
| M5                            | 1.33 ±20%                      |
| M7                            | 3.35 ±20%                      |
| <b>G thread</b>               |                                |
| G <sup>1</sup> / <sub>8</sub> | 7 ±20%                         |
| G <sup>1</sup> / <sub>4</sub> | 9 ±20%                         |
| G <sup>3</sup> / <sub>8</sub> | 15.5 ±20%                      |
| G <sup>1</sup> / <sub>2</sub> | 26 ±20%                        |
| G <sup>3</sup> / <sub>4</sub> | 20 ±20%                        |

# Push-in fittings QS

Technical data

| General technical data        |  |
|-------------------------------|--|
| Design                        | Push-pull principle                    |
| Mounting position             | Any                                    |
| Type of seal on threaded plug | Sealing ring (metric thread, G thread) |
|                               | Coating (R thread)                     |

| Operating and environmental conditions         |  |   |                        |
|--|--|---|------------------------|
| Size   | QSM, mini series   | QS, standard series                                     |                        |
|  |  | Except QS-G $\frac{3}{4}$ -22                           | QS-G $\frac{3}{4}$ -22 |
| Operating pressure complete [bar]              | -0.95 ... +6   |   | -0.95 ... +14          |
| Temperature dependent operating pressure [bar] | -0.95 ... +14  |   |                        |
| Operating medium                               | Compressed air in accordance with ISO 8573-1:2010 [7:--:-] |   |                        |
|  | -  | Water as per manufacturer's declaration <sup>1)2)</sup> |                        |
| Note on operating/pilot medium                 | Operation with lubricated medium possible                  |   |                        |
| Ambient temperature [°C]                       | -10 ... +80  |   | -20 ... +80            |
| Corrosion resistance class CRC <sup>3)</sup>   | 1  |   |                        |
| Certification                                  | Germanischer Lloyd   |   | -                      |

|  |  |  |  |
|--|--|--|--|
| Size   | QS-V0, weld spatter resistant                              |  |  |
| Operating pressure complete [bar]            | -0.95 ... +10  |  |  |
| Operating medium                             | Compressed air in accordance with ISO 8573-1:2010 [7:--:-] |  |  |
|  | Water as per manufacturer's declaration <sup>1)</sup>      |  |  |
| Note on operating/pilot medium               | Operation with lubricated medium possible                  |  |  |
| Ambient temperature [°C]                     | 0 ... +60  |  |  |
| Corrosion resistance class CRC <sup>3)</sup> | 2  |  |  |
| Material fire test                           | UL94 V-0 (body, release ring)                              |  |  |
| Certification                                | UL - Recognized (OL)                                       |  |  |
|  | Germanischer Lloyd   |  |  |

1) Additional information [www.festo.com/sp](http://www.festo.com/sp) → User documentation.

2) The supplied sealing ring must be replaced with an OL sealing ring on push-in fittings with a G-thread → Internet: ol

3) Corrosion resistance class CRC 1 to Festo standard FN 940070

Low corrosion stress. For dry indoor applications or transport and storage protection. Also applies to parts behind covers, in the non-visible interior area, and parts which are covered in the application (e.g. drive trunnions).

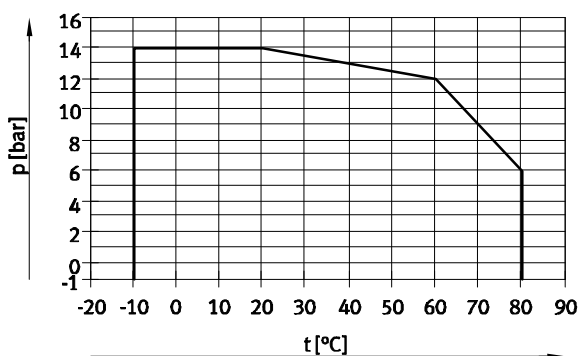
Corrosion resistance class CRC 2 to Festo standard FN 940070

Moderate corrosion stress. Indoor applications in which condensation may occur. External visible parts with primarily decorative requirements for the surface and which are in direct contact with the ambient atmosphere typical for industrial applications.

## Operating pressure p as a function of temperature t

QSM, mini series

QS (except QS-G $\frac{3}{4}$ -22), standard series



# Push-in fittings QS

Technical data



| Possible push-in fitting/tubing combinations |        |                  |    |    |    |    |    |    |    |    |    |
|--|--------|------------------|----|----|----|----|----|----|----|----|----|
| Type   | Thread | Tubing O.D. [mm] |    |    |    |    |    |    |    |    |    |
|  |        | 2                | 3  | 4  | 6  | 8  | 10 | 12 | 14 | 16 | 22 |
| QSM,<br>mini series                          | M3     | +                | ++ | +  | -  | -  | -  | -  | -  | -  | -  |
|  | M5     | +                | +  | ++ | +  | -  | -  | -  | -  | -  | -  |
|  | M6     | -                | -  | ++ | +  | -  | -  | -  | -  | -  | -  |
|  | M7     | -                | -  | +  | ++ | -  | -  | -  | -  | -  | -  |
|  | M8     | -                | -  | -  | ++ | -  | -  | -  | -  | -  | -  |
|  | R1/8   | -                | -  | +  | ++ | -  | -  | -  | -  | -  | -  |
|  | G1/8   | -                | -  | +  | ++ | -  | -  | -  | -  | -  | -  |
| QS,<br>standard series                       | M5     | -                | -  | ++ | +  | -  | -  | -  | -  | -  | -  |
|  | R1/8   | -                | -  | +  | ++ | +  | +  | -  | -  | -  | -  |
|  | R1/4   | -                | -  | +  | +  | ++ | +  | +  | -  | -  | -  |
|  | R3/8   | -                | -  | -  | +  | +  | ++ | +  | -  | +  | -  |
|  | R1/2   | -                | -  | -  | -  | -  | +  | ++ | -  | +  | -  |
|  | G1/8   | -                | -  | +  | ++ | +  | +  | -  | -  | -  | -  |
|  | G1/4   | -                | -  | +  | +  | ++ | +  | +  | -  | -  | -  |
|  | G3/8   | -                | -  | -  | +  | +  | ++ | +  | -  | +  | -  |
|  | G1/2   | -                | -  | -  | -  | -  | -  | ++ | -  | +  | -  |
| QS-V0,<br>weld spatter resist-<br>ant        | R1/8   | -                | -  | +  | ++ | +  | -  | -  | -  | -  | -  |
|  | R1/4   | -                | -  | -  | +  | ++ | +  | +  | -  | -  | -  |
|  | R3/8   | -                | -  | -  | -  | +  | ++ | +  | -  | -  | -  |
|  | R1/2   | -                | -  | -  | -  | -  | +  | ++ | -  | -  | -  |
|  | G1/8   | -                | -  | -  | ++ | +  | -  | -  | -  | -  | -  |
|  | G1/4   | -                | -  | -  | +  | ++ | +  | +  | -  | -  | -  |
|  | G3/8   | -                | -  | -  | -  | +  | ++ | +  | -  | -  | -  |
|  | G1/2   | -                | -  | -  | -  | -  | +  | ++ | -  | -  | -  |













+ Possible thread/tubing O.D. combinations

++ Optimum thread/tubing O.D. combinations (with regard to flow)

# Push-in fittings QSM, mini series

Product range overview





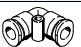







FESTO

| Design  | Version   | Type         | Connection D1                 |          |          |             |                     | Connection D2<br>Tubing O.D. | → Page/<br>Internet        |    |
|---|---|--------------|-------------------------------|----------|----------|-------------|---------------------|------------------------------|----------------------------|----|
|   |   |              | M thread                      | R thread | G thread | Tubing O.D. | Push-in sleeve<br>Ø |                              |                            |    |
| Straight design   | <b>Push-in fitting – Male thread with external hex</b>                              |              |                               |          |          |             |                     |                              |                            |    |
|   |    | QSM          | M3<br>M5<br>M6                | –        | –        | –           | –                   | –                            | 2, 3, 4<br>2, 3, 4, 6<br>6 | 21 |
|   |    | QSM          | –                             | R1/8     | G1/8     | –           | –                   | –                            | 4, 6                       |    |
|   | <b>Push-in fitting – Male thread with internal hex</b>                              |              |                               |          |          |             |                     |                              |                            |    |
|   |    | QSM-...-I    | M3<br>M5<br>M7                | –        | –        | –           | –                   | –                            | 2, 3, 4<br>3, 4, 6<br>4, 6 | 22 |
|   |   |              |                               | R1/8     | G1/8     |             |                     |                              |                            |    |
|   | <b>Push-in fitting – Male thread with internal hex, round release ring</b>          |              |                               |          |          |             |                     |                              |                            |    |
|   |    | QSM-...-I-R  | M3<br>M5<br>M7                | –        | –        | –           | –                   | –                            | 3, 4<br>3, 4, 6<br>6       | 23 |
|   |   |              |                               |          |          |             |                     |                              |                            |    |
|   | <b>Push-in fitting – Female thread with external hex</b>                            |              |                               |          |          |             |                     |                              |                            |    |
|   |  | QSMF         | M3<br>M5                      | –        | –        | –           | –                   | –                            | 3, 4<br>3, 4               | 24 |
|   |   |              |                               |          |          |             |                     |                              |                            |    |
|   | <b>Push-in fitting – Male thread with internal hex</b>                              |              |                               |          |          |             |                     |                              |                            |    |
|   |  | QSMF         | M6x0.75<br>M8x0.75<br>M8x1.25 | –        | –        | –           | –                   | –                            | 4<br>6<br>6                | 24 |
|   |   |              |                               |          |          |             |                     |                              |                            |    |
|   | <b>Push-in connector</b>  |              |                               |          |          |             |                     |                              |                            |    |
|   |  | QSM          | –                             | –        | –        | –           | 3<br>4<br>6         | –                            | 3<br>4<br>6                | 25 |
|   |  | QSM Reducing | –                             | –        | –        | –           | 3<br>4<br>6         | –                            | 2<br>3<br>4                |    |
|   | <b>Push-in bulkhead connector</b>   |              |                               |          |          |             |                     |                              |                            |    |
|   |  | QSMS         | –                             | –        | –        | –           | 3<br>4<br>6         | –                            | –                          | 25 |
|   |   |              |                               |          |          |             |                     |                              |                            |    |
| <b>Push-in cap</b>  |   |              |                               |          |          |             |                     |                              |                            |    |
|  | QSMC  | –            | –                             | –        | –        | 3           | –                   | –                            | 26                         |    |
|   |   |              |                               |          |          |             |                     |                              |                            |    |
| <b>Push-in connector with sleeve</b>  |   |              |                               |          |          |             |                     |                              |                            |    |
|  | QSM-...H  | –            | –                             | –        | –        | –           | 3<br>4<br>6         | 2<br>3<br>4                  | 26                         |    |
|   |   |              |                               |          |          |             |                     |                              |                            |    |
| <b>Blanking plug</b>  |   |              |                               |          |          |             |                     |                              |                            |    |
|  | QSMC-...H   | –            | –                             | –        | –        | –           | 2<br>3              | –                            | 26                         |    |
|   |   |              |                               |          |          |             |                     |                              |                            |    |

# Push-in fittings QSM, mini series

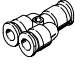
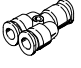
Product range overview

FESTO

| Design  | Version   | Type         | Connection D1 |          |          |             |                     | Connection D2<br>Tubing O.D. | → Page/<br>Internet |
|---|---|--------------|---------------|----------|----------|-------------|---------------------|------------------------------|---------------------|
|   |   |              | M thread      | R thread | G thread | Tubing O.D. | Push-in sleeve<br>∅ |                              |                     |
| L-shape   | <b>Push-in L-fitting, orientable – Male thread with external hex</b>                |              |               |          |          |             |                     |                              |                     |
|   |    | QSML         | M3            | –        | –        | –           | –                   | 2, 3, 4                      | 27                  |
|   |   |              | M5            | –        | –        | –           | –                   | 2, 3, 4, 6                   |                     |
|   |   |              | M7            | R1/8     | G1/8     | –           | –                   | 4, 6                         |                     |
|   | <b>Push-in long L-fitting, orientable – Male thread with external hex</b>           |              |               |          |          |             |                     |                              |                     |
|   |    | QSMLL        | M3            | –        | –        | –           | –                   | 2, 3, 4                      | 28                  |
|   |   |              | M5            | –        | –        | –           | –                   | 2, 3, 4, 6                   |                     |
|   |   |              | M7            | R1/8     | G1/8     | –           | –                   | 4, 6                         |                     |
|   | <b>Push-in L-fitting, orientable – Male thread with internal hex</b>                |              |               |          |          |             |                     |                              |                     |
|   |    | QSMLV-...-I  | M5            | –        | –        | –           | –                   | 3, 4                         | 29                  |
|   |   |              | M7            | –        | –        | –           | –                   | 4, 6                         |                     |
|   | <b>Push-in long L-fitting, orientable – Male thread with internal hex</b>           |              |               |          |          |             |                     |                              |                     |
|   |    | QSMLLV-...-I | M5            | –        | –        | –           | –                   | 3, 4                         | 29                  |
|   |   |              | M7            | –        | –        | –           | –                   | 4, 6                         |                     |
| <b>Push-in L-connector</b>  |   |              |               |          |          |             |                     |                              |                     |
|  | QSML  | –            | –             | –        | –        | 3           | –                   | 30                           |                     |
|   |   | –            | –             | –        | –        | 4           | –                   |                              |                     |
|   |   | –            | –             | –        | –        | 6           | –                   |                              |                     |
| <b>Push-in L-connector with sleeve</b>  |   |              |               |          |          |             |                     |                              |                     |
|  | QSML-...H   | –            | –             | –        | –        | 3           | 3                   | 30                           |                     |
|   |   | –            | –             | –        | –        | 4           | 4                   |                              |                     |
|   |   | –            | –             | –        | –        | 6           | 6                   |                              |                     |
|  | QSML-...H<br>Reducing   | –            | –             | –        | –        | 4           | 3                   | 30                           |                     |
|   |   | –            | –             | –        | –        | 6           | 4                   |                              |                     |
| T-shape   | <b>Push-in T-fitting, orientable – Male thread with external hex</b>                |              |               |          |          |             |                     |                              |                     |
|   |  | QSMT         | M3            | –        | –        | –           | –                   | 3, 4                         | 31                  |
|   |   |              | M5            | –        | –        | –           | –                   | 3, 4, 6                      |                     |
|   |   |              | –             | R1/8     | G1/8     | –           | –                   | 4, 6                         |                     |
|   |  | QSMTL        | M3            | –        | –        | –           | –                   | 3, 4                         | 32                  |
|   |   |              | M5            | –        | –        | –           | –                   | 3, 4, 6                      |                     |
|   |   |              | –             | R1/8     | G1/8     | –           | –                   | 4, 6                         |                     |
|   | <b>Push-in T-connector</b>  |              |               |          |          |             |                     |                              |                     |
|   |  | QSMT         | –             | –        | –        | –           | 2                   | –                            | 33                  |
|   |   |              | –             | –        | –        | –           | 3                   | –                            |                     |
| –   |   |              | –             | –        | –        | 4           | –                   |                              |                     |
| –   |   |              | –             | –        | –        | 6           | –                   |                              |                     |
|  | QSMT<br>Reducing  | –            | –             | –        | –        | 4           | –                   | 33                           |                     |
|   |   | –            | –             | –        | –        | 6           | –                   |                              |                     |
| X-shape   | <b>Push-in X-connector</b>  |              |               |          |          |             |                     |                              |                     |
|   |  | QSMX         | –             | –        | –        | –           | 3                   | –                            | 34                  |
|   |   |              | –             | –        | –        | –           | 4                   | –                            |                     |
|   |   |              | –             | –        | –        | –           | 6                   | –                            |                     |

# Push-in fittings QSM, mini series









Product range overview

| Design  | Version   | Type             | Connection D1 |          |          |             | Push-in sleeve<br>Ø | Connection D2 |    | → Page/<br>Internet |
|---------|---|------------------|---------------|----------|----------|-------------|---------------------|---------------|----|---------------------|
|         |   |                  | M thread      | R thread | G thread | Tubing O.D. |                     | Tubing O.D.   |    |                     |
| Y-shape | Push-in Y-connector   |                  |               |          |          |             |                     |               |    |                     |
|         |  | QSMY             | -             | -        | -        | 2           | -                   | 2             | 34 |                     |
|         |   |                  |               |          |          | 3           |                     | 3             |    |                     |
|         |   |                  |               |          |          | 4           |                     | 4             |    |                     |
|         |   |                  |               |          |          | 6           |                     | 6             |    |                     |
|         |  | QSMY<br>Reducing | -             | -        | -        | 4           | -                   | 3             | 34 |                     |
| 6       |   |                  |               |          |          | 4           |                     |               |    |                     |

# Push-in fittings QS, standard series

Product range overview

FESTO


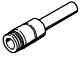






| Design  | Version   | Type     | Connection D1 |          |          |             |                  | Connection D2                   |                  | → Page/<br>Internet |
|---|---|----------|---------------|----------|----------|-------------|------------------|---------------------------------|------------------|---------------------|
|   |   |          | M thread      | R thread | G thread | Tubing O.D. | Push-in sleeve Ø | Tubing O.D.                     | Push-in sleeve Ø |                     |
| Straight design   | <b>Push-in fitting – Male thread with external hex</b>                            |          |               |          |          |             |                  |                                 |                  |                     |
|   |  | QS       | –             | R1/8     | G1/8     | –           | –                | 4, 6, 8, 10 <sup>1)</sup>       | –                | 35                  |
|   |   |          |               | R1/4     | G1/4     |             |                  | 4 <sup>1)</sup> , 6, 8, 10, 12  |                  |                     |
|   |   |          |               | R3/8     | G3/8     |             |                  | 6 <sup>1)</sup> , 8, 10, 12, 16 |                  |                     |
|   |   |          |               | R1/2     | G1/2     |             |                  | 10 <sup>1)</sup> , 12, 16       |                  |                     |
|   |   |          |               | –        | G3/4     |             |                  | 22                              |                  |                     |
|   |   |          |               |          |          |             |                  |                                 |                  | 37                  |
|   | <b>Push-in fitting – Male thread with internal hex</b>                            |          |               |          |          |             |                  |                                 |                  |                     |
|   |  | QS-...-I | –             | R1/8     | G1/8     | –           | –                | 4, 6, 8, 10                     | –                | 38                  |
|   |   |          |               | R1/4     | G1/4     |             |                  | 6, 8, 10, 12 <sup>1)</sup>      |                  |                     |
|   |   |          |               | R3/8     | G3/8     |             |                  | 8, 10, 12                       |                  |                     |
|   |   |          |               | R1/2     | G1/2     |             |                  | 10 <sup>1)</sup> , 12           |                  |                     |
|   | <b>Push-in fitting – Female thread with external hex</b>                          |          |               |          |          |             |                  |                                 |                  |                     |
|   |  | QSF      | –             | –        | G1/8     | –           | –                | 4, 6, 8                         | –                | 40                  |
|   |   |          |               |          | G1/4     |             |                  | 4, 6, 8, 10, 12                 |                  |                     |
|   |   |          |               | G3/8     |          |             | 6, 8, 10, 12     |                                 |                  |                     |
|   |   |          |               | G1/2     |          |             | 12, 16           |                                 |                  |                     |
| <b>Push-in connector</b>  |   |          |               |          |          |             |                  |                                 |                  |                     |
|  | QS  | –        | –             | –        | 4        | –           | 4                | –                               | 41               |                     |
|   |   |          |               |          | 6        |             | 6                |                                 |                  |                     |
|   |   |          |               |          | 8        |             | 8                |                                 |                  |                     |
|   |   |          |               |          | 10       |             | 10               |                                 |                  |                     |
|   |   |          |               |          | 12       |             | 12               |                                 |                  |                     |
|   |   |          |               |          | 16       |             | 16               |                                 |                  |                     |
|  | QS Reducing   | –        | –             | –        | 6        | –           | 4                | –                               | 41               |                     |
|   |   |          |               |          | 8        |             | 4, 6             |                                 |                  |                     |
|   |   |          |               |          | 10       |             | 6, 8             |                                 |                  |                     |
|   |   |          |               |          | 12       |             | 8, 10            |                                 |                  |                     |
| <b>Push-in bulkhead connector</b>   |   |          |               |          |          |             |                  |                                 |                  |                     |
|  | QSS   | –        | –             | –        | 4        | –           | –                | –                               | 42               |                     |
|   |   |          |               |          | 6        |             |                  |                                 |                  |                     |
|   |   |          |               |          | 8        |             |                  |                                 |                  |                     |
|   |   |          |               |          | 10       |             |                  |                                 |                  |                     |
|   |   |          |               |          | 12       |             |                  |                                 |                  |                     |
| <b>Push-in bulkhead connector with fixed collar</b>                                 |   |          |               |          |          |             |                  |                                 |                  |                     |
|  | QSS-...-F   | –        | –             | –        | 4        | –           | –                | –                               | 42               |                     |
|   |   |          |               |          | 6        |             |                  |                                 |                  |                     |
|   |   |          |               |          | 8        |             |                  |                                 |                  |                     |
|   |   |          |               |          | 10       |             |                  |                                 |                  |                     |
|   |   |          |               |          | 12       |             |                  |                                 |                  |                     |
| <b>Push-in bulkhead fitting with female thread</b>                                  |   |          |               |          |          |             |                  |                                 |                  |                     |
|  | QSSF  | –        | –             | G1/8     | –        | –           | 4, 6, 8          | –                               | 43               |                     |
|   |   |          |               | G1/4     |          |             | 4, 6, 8, 10      |                                 |                  |                     |
|   |   |          |               | G3/8     |          |             | 6, 8, 10, 12     |                                 |                  |                     |
|   |   |          |               | G1/2     |          |             | 12, 16           |                                 |                  |                     |

1) Only in conjunction with R thread

# Push-in fittings QS, standard series

Product range overview

FESTO



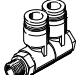





| Design  | Version   | Type   | Connection D1 |  |  |                         |                               | Connection D2  |                                  | → Page/<br>Internet |
|---|---|--|---------------|--|--|-------------------------|-------------------------------|--|----------------------------------|---------------------|
|   |   |  | M thread      | R thread   | G thread   | Tubing O.D.             | Push-in sleeve Ø              | Tubing O.D.  | Push-in sleeve Ø                 |                     |
| Straight design   | <b>Push-in cap</b>  |  |               |  |  |                         |                               |  |                                  |                     |
|   |    | QSC  | –             | –  | –  | 4<br>6<br>8<br>10<br>12 | –                             | –  | –                                | 44                  |
|   | <b>Push-in connector with sleeve</b>  |  |               |  |  |                         |                               |  |                                  |                     |
|   |    | QS-...H  | –             | –  | –  | –                       | 6<br>8<br>10<br>12            | 4<br>4, 6<br>6, 8<br>6, 8, 10  | –                                | 44                  |
|   | <b>Push-in sleeve</b>   |  |               |  |  |                         |                               |  |                                  |                     |
|   |    | QSH  | –             | –  | –  | –                       | 4<br>6<br>8<br>10<br>12<br>16 | –  | –                                | 46                  |
|   |  | QSH Reducing   | –             | –  | –  | –                       | 6<br>8<br>10<br>12<br>16      | –  | 4<br>4, 6<br>6, 8<br>8, 10<br>12 | 46                  |
|   | <b>Blanking plug</b>  |  |               |  |  |                         |                               |  |                                  |                     |
|   |  | QSC-...H   | –             | –  | –  | –                       | 4<br>6<br>8<br>10<br>12<br>16 | –  | –                                | 47                  |
|   | L-shape   | <b>Push-in L-fitting, orientable – Male thread with external hex</b> |               |  |  |                         |                               |  |                                  |                     |
|  |   | QSL  | –             | R <sup>1</sup> / <sub>8</sub><br>R <sup>1</sup> / <sub>4</sub><br>R <sup>3</sup> / <sub>8</sub><br>R <sup>1</sup> / <sub>2</sub> | G <sup>1</sup> / <sub>8</sub><br>G <sup>1</sup> / <sub>4</sub><br>G <sup>3</sup> / <sub>8</sub><br>G <sup>1</sup> / <sub>2</sub> | –                       | –                             | 4, 6, 8, 10 <sup>1)</sup><br>4 <sup>1)</sup> , 6, 8, 10,<br>12<br>6 <sup>1)</sup> , 8, 10, 12,<br>16<br>10 <sup>1)</sup> , 12, 16    | –                                | 48                  |
| <b>Push-in long L-fitting, orientable – Male thread with external hex</b>           |   |  |               |  |  |                         |                               |  |                                  |                     |
|  |   | QSLL   | –             | R <sup>1</sup> / <sub>8</sub><br>R <sup>1</sup> / <sub>4</sub><br>R <sup>3</sup> / <sub>8</sub><br>R <sup>1</sup> / <sub>2</sub> | G <sup>1</sup> / <sub>8</sub><br>G <sup>1</sup> / <sub>4</sub><br>G <sup>3</sup> / <sub>8</sub><br>G <sup>1</sup> / <sub>2</sub> | –                       | –                             | 4, 6, 8<br>4 <sup>1)</sup> , 6, 8, 10,<br>12 <sup>2)</sup><br>6 <sup>1)</sup> , 8, 10, 12<br>10 <sup>1)</sup> , 12, 16 <sup>2)</sup> | –                                | 50                  |
| <b>Push-in L-fitting – Female thread with external hex</b>                          |   |  |               |  |  |                         |                               |  |                                  |                     |
|  |   | QSLF   | –             | –  | G <sup>1</sup> / <sub>8</sub><br>G <sup>1</sup> / <sub>4</sub><br>G <sup>3</sup> / <sub>8</sub>                                  | –                       | –                             | 4, 6, 8<br>6, 8, 10<br>8, 10   | –                                | 52                  |

1) Only in conjunction with R thread  
2) Only in conjunction with G thread

# Push-in fittings QS, standard series

Product range overview








FESTO

| Design  | Version   | Type       | Connection D1 |                                   |                                   |             |                  | Connection D2                                   |                  | → Page/<br>Internet |
|---|---|------------|---------------|-----------------------------------|-----------------------------------|-------------|------------------|---|------------------|---------------------|
|   |   |            | M thread      | R thread                          | G thread                          | Tubing O.D. | Push-in sleeve Ø | Tubing O.D.                                     | Push-in sleeve Ø |                     |
| L-shape   | <b>Push-in L-fitting, orientable – Male thread with internal hex</b>                |            |               |                                   |                                   |             |                  |   |                  |                     |
|   |    | QSLV-...-I | –             | R1/8<br>R1/4<br>R3/8<br>R1/2      | G1/8<br>G1/4<br>G3/8<br>G1/2      | –           | –                | 6, 8<br>6, 8, 10<br>8, 10, 12<br>12             | –                | 53                  |
|   | <b>Push-in L-fitting, orientable – Male thread with external hex</b>                |            |               |                                   |                                   |             |                  |   |                  |                     |
|   |    | QSLV       | M5<br>–       | –<br>R1/8<br>R1/4<br>R3/8<br>R1/2 | –<br>G1/8<br>G1/4<br>G3/8<br>G1/2 | –           | –                | 6<br>4, 6, 8<br>6, 8, 10<br>8, 10, 12<br>12, 16 | –                | 54                  |
|   | <b>Multiple distributor, orientable – 2 outlets</b>                                 |            |               |                                   |                                   |             |                  |   |                  |                     |
|   |    | QSLV2      | –             | R1/8<br>R1/4<br>R3/8<br>R1/2      | G1/8<br>G1/4<br>G3/8<br>G1/2      | –           | –                | 4, 6, 8<br>6, 8, 10<br>8, 10, 12<br>12          | –                | qslv                |
|   | <b>Multiple distributor, orientable – 3 outlets</b>                                 |            |               |                                   |                                   |             |                  |   |                  |                     |
|   |  | QSLV3      | –             | R1/8<br>R1/4<br>R3/8<br>R1/2      | G1/8<br>G1/4<br>G3/8<br>G1/2      | –           | –                | 4, 6, 8<br>6, 8, 10<br>8, 10, 12<br>12          | –                | qslv                |
|   | <b>Multiple distributor, orientable – 4 outlets</b>                                 |            |               |                                   |                                   |             |                  |   |                  |                     |
|   |  | QSLV4      | –             | R1/8<br>R1/4<br>R3/8<br>R1/2      | G1/8<br>G1/4<br>G3/8<br>G1/2      | –           | –                | 4, 6, 8<br>6, 8, 10<br>8, 10, 12<br>12          | –                | qslv                |
|   | <b>Multiple distributor, orientable – 6 outlets</b>                                 |            |               |                                   |                                   |             |                  |   |                  |                     |
|   |  | QSLV6      | –             | R1/8<br>R1/4<br>R3/8<br>R1/2      | G1/8<br>G1/4<br>G3/8<br>G1/2      | –           | –                | 4, 6, 8<br>6, 8, 10<br>8, 10, 12<br>12          | –                | qslv                |
|   | <b>Multiple distributor, orientable – 4 outlets</b>                                 |            |               |                                   |                                   |             |                  |   |                  |                     |
|   |  | QSQ        | –             | R1/8<br>R1/4                      | G1/8<br>G1/4                      | –           | –                | 4, 6<br>4, 6                                    | –                | qsq                 |
|  | QSQ<br>Reducing   | –          | –             | –                                 | 6<br>8                            | –           | 4<br>6           | –   | qsq              |                     |

# Push-in fittings QS, standard series

Product range overview

FESTO

| Design   | Version   | Type              | Connection D1 |                               |                               |             |                  | Connection D2 |                                 | → Page/<br>Internet |    |
|--|---|-------------------|---------------|-------------------------------|-------------------------------|-------------|------------------|---------------|---------------------------------|---------------------|----|
|  |   |                   | M thread      | R thread                      | G thread                      | Tubing O.D. | Push-in sleeve Ø | Tubing O.D.   | Push-in sleeve Ø                |                     |    |
| L-shape  | <b>Push-in L-connector</b>  |                   |               |                               |                               |             |                  |               |                                 |                     |    |
|  |    | QSL               | -             | -                             | -                             | 4           | -                | -             | -                               | 56                  |    |
|  |   |                   |               |                               |                               | 6           |                  |               |                                 |                     |    |
|  |   |                   |               |                               |                               | 8           |                  |               |                                 |                     |    |
|  |   |                   |               |                               |                               | 10          |                  |               |                                 |                     |    |
|  |   |                   |               |                               |                               | 12          |                  |               |                                 |                     |    |
|  |   |                   |               |                               |                               | 16          |                  |               |                                 |                     |    |
|  | <b>Push-in L-connector with sleeve</b>  |                   |               |                               |                               |             |                  |               |                                 |                     |    |
|  |    | QSL-...H          | -             | -                             | -                             | -           | -                | 4             | 4                               | -                   | 57 |
|  |   |                   |               |                               |                               |             |                  | 6             | 6                               |                     |    |
|  |   |                   |               |                               |                               |             |                  | 8             | 8                               |                     |    |
|  |   |                   |               |                               |                               |             |                  | 10            | 10                              |                     |    |
|  |   |                   |               |                               |                               |             |                  | 12            | 12                              |                     |    |
|  |    | QSL-...H Reducing | -             | -                             | -                             | -           | -                | 6             | 4                               | -                   | 57 |
|  |   |                   |               |                               |                               |             |                  | 8             | 6                               |                     |    |
| 10   |   |                   |               |                               |                               |             |                  | 8             |                                 |                     |    |
| 12   |   |                   |               |                               |                               |             |                  | 10            |                                 |                     |    |
|  | QSL-...HL Long push-in sleeve   | -                 | -             | -                             | -                             | -           | 4                | 4             | -                               | 57                  |    |
|  |   |                   |               |                               |                               |             | 6                | 6             |                                 |                     |    |
|  |   |                   |               |                               |                               |             | 8                | 8             |                                 |                     |    |
|  |   |                   |               |                               |                               |             | 10               | 10            |                                 |                     |    |
|  |   |                   |               |                               |                               |             | 12               | 12            |                                 |                     |    |
| T-shape  | <b>Push-in T-fitting, orientable – Male thread with external hex</b>                |                   |               |                               |                               |             |                  |               |                                 |                     |    |
|  |  | QST               | -             | R <sup>1</sup> / <sub>8</sub> | G <sup>1</sup> / <sub>8</sub> | -           | -                | -             | 4, 6, 8, 10 <sup>1)</sup>       | -                   | 58 |
|  |   |                   |               | R <sup>1</sup> / <sub>4</sub> | G <sup>1</sup> / <sub>4</sub> |             |                  |               | 4 <sup>1)</sup> , 6, 8, 10, 12  |                     |    |
|  |   |                   |               | R <sup>3</sup> / <sub>8</sub> | G <sup>3</sup> / <sub>8</sub> |             |                  |               | 6 <sup>1)</sup> , 8, 10, 12, 16 |                     |    |
|  |   |                   |               | R <sup>1</sup> / <sub>2</sub> | G <sup>1</sup> / <sub>2</sub> |             |                  |               | 10, <sup>1)</sup> 12, 16        |                     |    |
|  | <b>Push-in T-connector</b>  |                   |               |                               |                               |             |                  |               |                                 |                     |    |
|  |  | QST               | -             | -                             | -                             | 4           | -                | -             | 4                               | -                   | 60 |
|  |   |                   |               |                               |                               | 6           |                  |               | 6                               |                     |    |
|  |   |                   |               |                               |                               | 8           |                  |               | 8                               |                     |    |
|  |   |                   |               |                               |                               | 10          |                  |               | 10                              |                     |    |
|  |   |                   |               |                               |                               | 12          |                  |               | 12                              |                     |    |
|  |   |                   |               |                               |                               | 16          |                  |               | 16                              |                     |    |
|  |  | QST Reducing      | -             | -                             | -                             | 6           | -                | -             | 4                               | -                   | 60 |
|  |   |                   |               |                               |                               | 8           |                  |               | 4, 6                            |                     |    |
|  |   |                   |               |                               |                               | 10          |                  |               | 6, 8                            |                     |    |
| 12   |   |                   |               |                               |                               | 8, 10       |                  |               |                                 |                     |    |
| 16   |   |                   |               |                               |                               | 12          |                  |               |                                 |                     |    |

1) Only in conjunction with R thread

# Push-in fittings QS, standard series

Product range overview


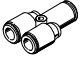

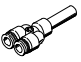
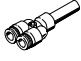
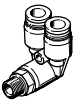


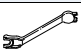
| Design  | Version   | Type          | Connection D1   |                 |             |                  | Connection D2 |                  | Connection D3 | → Page/<br>Internet |
|---------|---|---------------|-----------------|-----------------|-------------|------------------|---------------|------------------|---------------|---------------------|
|         |   |               | R thread        | G thread        | Tubing O.D. | Push-in sleeve Ø | Tubing O.D.   | Push-in sleeve Ø | Tubing O.D.   |                     |
| T-shape | <b>Multiple distributor, orientable – 3 outlets</b> |               |                 |                 |             |                  |               |                  |               |                     |
|         |   | QST3          | R $\frac{1}{8}$ | G $\frac{1}{8}$ | –           | –                | 6             | –                | 4             | qst                 |
|         |   |               | R $\frac{1}{4}$ | G $\frac{1}{4}$ |             |                  | 8             |                  | 6             |                     |
|         |   |               | R $\frac{3}{8}$ | G $\frac{3}{8}$ |             |                  | 10            |                  | 8             |                     |
|         |   | QST3 Reducing | –               | –               | 6           | –                | 6             | –                | 4             | qst                 |
|         |   |               | –               | –               | 8           |                  | 8             |                  | 6             |                     |
| –       |   |               | –               | 10              | 10          |                  | 8             |                  |               |                     |

| Design        | Version   | Type   | Connection D1   |                 |                 |             | Connection D2    |             | → Page/<br>Internet |                  |
|---------------|---|--------|-----------------|-----------------|-----------------|-------------|------------------|-------------|---------------------|------------------|
|               |   |        | M thread        | R thread        | G thread        | Tubing O.D. | Push-in sleeve Ø | Tubing O.D. |                     | Push-in sleeve Ø |
| T-shape       | <b>Push-in T-fitting, orientable – Male and female thread with external hex</b> |        |                 |                 |                 |             |                  |             |                     |                  |
|               |   | QSTF   | –               | R $\frac{1}{8}$ | G $\frac{1}{8}$ | –           | –                | 4, 6, 8     | –                   | 61               |
|               |   |        | R $\frac{1}{4}$ | G $\frac{1}{4}$ | 6, 8, 10        |             |                  |             |                     |                  |
|               |   |        | R $\frac{3}{8}$ | G $\frac{3}{8}$ | 8, 10, 12       |             |                  |             |                     |                  |
|               |   |        | R $\frac{1}{2}$ | G $\frac{1}{2}$ | 12              |             |                  |             |                     |                  |
|               | <b>Push-in T-fitting, orientable – Male thread with external hex</b>            |        |                 |                 |                 |             |                  |             |                     |                  |
|               |   | QSTL   | –               | R $\frac{1}{8}$ | G $\frac{1}{8}$ | –           | –                | 4, 6, 8     | –                   | 62               |
|               |   |        | R $\frac{1}{4}$ | G $\frac{1}{4}$ | 6, 8, 10        |             |                  |             |                     |                  |
|               |   |        | R $\frac{3}{8}$ | G $\frac{3}{8}$ | 8, 10, 12       |             |                  |             |                     |                  |
|               |   |        | R $\frac{1}{2}$ | G $\frac{1}{2}$ | 12, 16          |             |                  |             |                     |                  |
| Angled design | <b>Push-in fitting, orientable – Male thread with external hex</b>              |        |                 |                 |                 |             |                  |             |                     |                  |
|               |   | QSW    | –               | R $\frac{1}{8}$ | –               | –           | –                | 4, 6, 8     | –                   | 64               |
|               |   |        | R $\frac{1}{4}$ | 6, 8, 10        |                 |             |                  |             |                     |                  |
|               |   |        | R $\frac{3}{8}$ | 10, 12          |                 |             |                  |             |                     |                  |
|               |   |        | R $\frac{1}{2}$ | 12, 16          |                 |             |                  |             |                     |                  |
|               | <b>Push-in connector with sleeve</b>  |        |                 |                 |                 |             |                  |             |                     |                  |
|               |   | QSW-HL | –               | –               | –               | –           | 4                | 4           | –                   | 65               |
|               |   |        | –               | –               | 6               |             | 6                |             |                     |                  |
|               |   |        | –               | –               | 8               |             | 8                |             |                     |                  |
|               |   |        | –               | –               | 10              |             | 10               |             |                     |                  |
| –             |   |        | –               | 12              | 12              |             |                  |             |                     |                  |
| X-shape       | <b>Push-in X-connector</b>  |        |                 |                 |                 |             |                  |             |                     |                  |
|               |   | QSX    | –               | –               | –               | 8           | –                | –           | –                   | 65               |
|               |   |        | –               | –               | –               | 10          |                  |             |                     |                  |
| –             |   |        | –               | –               | 12              |             |                  |             |                     |                  |

# Push-in fittings QS, standard series

Product range overview







FESTO

| Design  | Version   | Type            | Connection D1   |                 |           |                            |                  | Connection D2 |                  | → Page/<br>Internet |
|---|---|-----------------|-----------------|-----------------|-----------|----------------------------|------------------|---------------|------------------|---------------------|
|   |   |                 | M thread        | R thread        | G thread  | Tubing O.D.                | Push-in sleeve Ø | Tubing O.D.   | Push-in sleeve Ø |                     |
| Y-shape   | <b>Push-in Y-fitting, orientable – Male thread with external hex</b>              |                 |                 |                 |           |                            |                  |               |                  |                     |
|   |  | QSY             | M5              | –               | –         | –                          | –                | 4, 6          | –                | 66                  |
|   | –   |                 | R $\frac{1}{8}$ | G $\frac{1}{8}$ | –         | 4, 6, 8                    |                  |               |                  |                     |
|   | –   |                 | R $\frac{1}{4}$ | G $\frac{1}{4}$ | –         | 4 <sup>1)</sup> , 6, 8, 10 |                  |               |                  |                     |
|   | –   |                 | R $\frac{3}{8}$ | G $\frac{3}{8}$ | –         | 8, 10, 12                  |                  |               |                  |                     |
|   | –   |                 | R $\frac{1}{2}$ | G $\frac{1}{2}$ | –         | 10 <sup>1)</sup> , 12      |                  |               |                  |                     |
|   | <b>Push-in Y-connector</b>  |                 |                 |                 |           |                            |                  |               |                  |                     |
|   |  | QSY             | –               | –               | –         | 4                          | –                | 4             | –                | 68                  |
|   | –   |                 | 6               | 6               |           |                            |                  |               |                  |                     |
|   | –   |                 | 8               | 8               |           |                            |                  |               |                  |                     |
|   | –   |                 | 10              | 10              |           |                            |                  |               |                  |                     |
|   | –   |                 | 12              | 12              |           |                            |                  |               |                  |                     |
|    | QSY Reducing  | –               | –               | –               | 6         | –                          | 4                | –             | 68               |                     |
| –   |   | 8               | 4, 6            |                 |           |                            |                  |               |                  |                     |
| –   |   | 10              | 6, 8            |                 |           |                            |                  |               |                  |                     |
| –   |   | 12              | 8, 10           |                 |           |                            |                  |               |                  |                     |
| –   |   | 16              | 12              |                 |           |                            |                  |               |                  |                     |
| <b>Push-in Y-connector with sleeve</b>  |   |                 |                 |                 |           |                            |                  |               |                  |                     |
|  | QSY-...H(-B)  | –               | –               | –               | –         | 4                          | 4                | –             | 69               |                     |
| –   |   | 6               | 6               |                 |           |                            |                  |               |                  |                     |
| –   |   | 8               | 8               |                 |           |                            |                  |               |                  |                     |
| –   |   | 10              | 10              |                 |           |                            |                  |               |                  |                     |
| –   |   | 12              | 12              |                 |           |                            |                  |               |                  |                     |
|  | QSY-...H(-B) Reducing   | –               | –               | –               | –         | 6                          | 4                | –             | 69               |                     |
| –   |   | 8               | 6               |                 |           |                            |                  |               |                  |                     |
| –   |   | 10              | 8               |                 |           |                            |                  |               |                  |                     |
| –   |   | 12              | 10              |                 |           |                            |                  |               |                  |                     |
| <b>Push-in Y-fitting, orientable – Male thread with external hex</b>                |   |                 |                 |                 |           |                            |                  |               |                  |                     |
|  | QSYL  | –               | R $\frac{1}{8}$ | G $\frac{1}{8}$ | –         | –                          | 4, 6, 8          | –             | 70               |                     |
| –   |   | R $\frac{1}{4}$ | G $\frac{1}{4}$ | –               | 6, 8, 10  |                            |                  |               |                  |                     |
| –   |   | R $\frac{3}{8}$ | G $\frac{3}{8}$ | –               | 8, 10, 12 |                            |                  |               |                  |                     |
| –   |   | R $\frac{1}{2}$ | G $\frac{1}{2}$ | –               | 12        |                            |                  |               |                  |                     |
| <b>Push-in Y-fitting, orientable – Male thread with external hex</b>                |   |                 |                 |                 |           |                            |                  |               |                  |                     |
|  | QSYLV   | –               | R $\frac{1}{8}$ | G $\frac{1}{8}$ | –         | –                          | 6                | –             | 71               |                     |
| –   |   | R $\frac{1}{4}$ | G $\frac{1}{4}$ | –               | 8         |                            |                  |               |                  |                     |
| –   |   | R $\frac{3}{8}$ | G $\frac{3}{8}$ | –               | 10        |                            |                  |               |                  |                     |
| –   |   | R $\frac{1}{2}$ | G $\frac{1}{2}$ | –               | 12        |                            |                  |               |                  |                     |
| <b>Push-in Y-fitting, orientable – Male and female thread with external hex</b>     |   |                 |                 |                 |           |                            |                  |               |                  |                     |
|  | QSYTF   | –               | R $\frac{1}{8}$ | G $\frac{1}{8}$ | –         | –                          | 6                | –             | 72               |                     |
| –   |   | R $\frac{1}{4}$ | G $\frac{1}{4}$ | –               | 8         |                            |                  |               |                  |                     |
| –   |   | R $\frac{3}{8}$ | G $\frac{3}{8}$ | –               | 10        |                            |                  |               |                  |                     |
| –   |   | R $\frac{1}{2}$ | G $\frac{1}{2}$ | –               | 12        |                            |                  |               |                  |                     |
| <b>Release tool</b>   | <b>Quick-release tool for QS push-in fittings and connectors</b>                  |                 |                 |                 |           |                            |                  |               |                  |                     |
|  | QSO   | –               | –               | –               | –         | –                          | –                | –             | 79               |                     |

1) Only in conjunction with R thread

# Push-in fittings QS-V0, weld spatter resistant

Product range overview

| Design   | Version   | Type   | Connection D1 |          |          |             |                  | Connection D2          |                  | → Page/<br>Internet |    |
|--|---|--------|---------------|----------|----------|-------------|------------------|------------------------|------------------|---------------------|----|
|  |   |        | M thread      | R thread | G thread | Tubing O.D. | Push-in sleeve Ø | Tubing O.D.            | Push-in sleeve Ø |                     |    |
| <b>To UL94 V-0 – For plastic tubing PAN/PUN-V0</b> |   |        |               |          |          |             |                  |                        |                  |                     |    |
| Straight design                                    | <b>Push-in fitting – Male thread with external hex</b>                              |        |               |          |          |             |                  |                        |                  |                     |    |
|  |    | QS-V0  | –             | R1/8     | G1/8     | –           | –                | 4 <sup>1)</sup> , 6, 8 | –                | 73                  |    |
|  |   |        |               | R1/4     | G1/4     |             |                  | 6, 8, 10, 12           |                  |                     |    |
|  |   |        |               | R3/8     | G3/8     |             |                  | 8, 10, 12              |                  |                     |    |
|  |   |        |               | R1/2     | G1/2     |             |                  | 10, 12                 |                  |                     |    |
|  | <b>Push-in connector</b>  |        |               |          |          |             |                  |                        |                  |                     |    |
|  |    | QS-V0  | –             | –        | –        | –           | 4                | –                      | –                | –                   | 74 |
|  |   |        |               |          |          |             | 6                |                        |                  |                     |    |
|  |   |        |               |          |          |             | 8                |                        |                  |                     |    |
|  |   |        |               |          |          |             | 10               |                        |                  |                     |    |
|  |   |        |               |          |          | 12          |                  |                        |                  |                     |    |
| L-shape  | <b>Push-in L-fitting – Male thread with external hex</b>                            |        |               |          |          |             |                  |                        |                  |                     |    |
|  |    | QSL-V0 | –             | R1/8     | G1/8     | –           | –                | 4 <sup>1)</sup> , 6, 8 | –                | 75                  |    |
|  |   |        |               | R1/4     | G1/4     |             |                  | 6, 8, 10, 12           |                  |                     |    |
|  |   |        |               | R3/8     | G3/8     |             |                  | 8, 10, 12              |                  |                     |    |
|  |   |        |               | R1/2     | G1/2     |             |                  | 10, 12                 |                  |                     |    |
|  | <b>Push-in L-connector</b>  |        |               |          |          |             |                  |                        |                  |                     |    |
|  |  | QSL-V0 | –             | –        | –        | –           | 4                | –                      | –                | –                   | 76 |
|  |   |        |               |          |          |             | 6                |                        |                  |                     |    |
|  |   |        |               |          |          |             | 8                |                        |                  |                     |    |
|  |   |        |               |          |          |             | 10               |                        |                  |                     |    |
|  |   |        |               |          |          | 12          |                  |                        |                  |                     |    |
| T-shape  | <b>Push-in T-fitting – Male thread with external hex</b>                            |        |               |          |          |             |                  |                        |                  |                     |    |
|  |  | QST-V0 | –             | R1/8     | G1/8     | –           | –                | 4 <sup>1)</sup> , 6, 8 | –                | 77                  |    |
|  |   |        |               | R1/4     | G1/4     |             |                  | 6, 8, 10, 12           |                  |                     |    |
|  |   |        |               | R3/8     | G3/8     |             |                  | 8, 10, 12              |                  |                     |    |
|  |   |        |               | R1/2     | G1/2     |             |                  | 10, 12                 |                  |                     |    |
|  | <b>Push-in T-connector</b>  |        |               |          |          |             |                  |                        |                  |                     |    |
|  |  | QST-V0 | –             | –        | –        | –           | 4                | –                      | –                | –                   | 78 |
|  |   |        |               |          |          |             | 6                |                        |                  |                     |    |
|  |   |        |               |          |          |             | 8                |                        |                  |                     |    |
|  |   |        |               |          |          |             | 10               |                        |                  |                     |    |
|  |   |        |               |          |          | 12          |                  |                        |                  |                     |    |

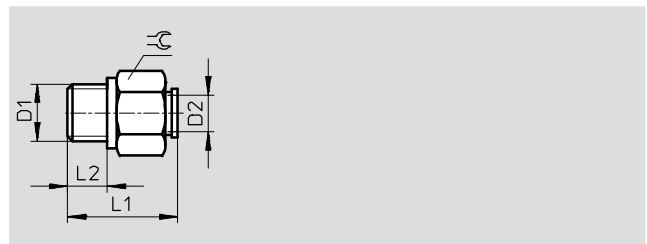
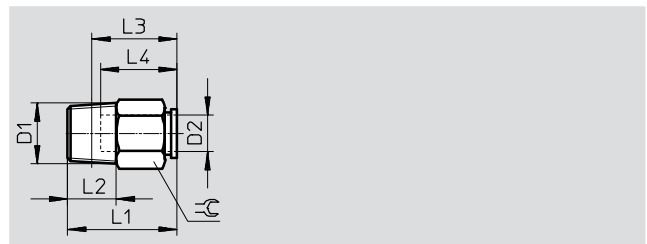
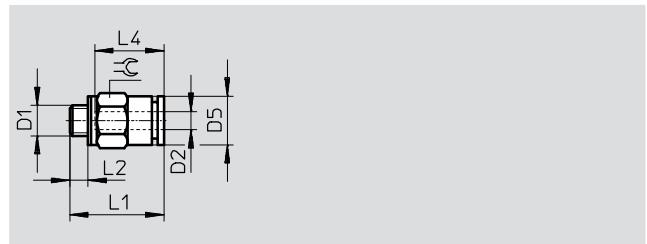
1) Only in conjunction with R thread

# Push-in fittings QSM, mini series

Technical data

## Push-in fitting QSM

Male thread with external hex



| Dimensions and ordering data    |                   |             |         |      |     |    |      |     |                      |          |   |                  |
|---------------------------------|-------------------|-------------|---------|------|-----|----|------|-----|----------------------|----------|---|------------------|
| Connection                      | Nominal size [mm] | Tubing O.D. | D5<br>∅ | L1   | L2  | L3 | L4   | ⌀   | Weight/<br>piece [g] | Part No. | Type                                    | PU <sup>1)</sup> |
| D1                              |                   | D2          |         |      |     |    |      |     |                      |          |   |                  |
| Metric thread with sealing ring |                   |             |         |      |     |    |      |     |                      |          |   |                  |
| M3                              | 0.9               | 2           | 4.8     | 12.1 | 2.5 | -  | 8.4  | 5   | 1                    | 133027   | QSM-M3-2                                | 10               |
|                                 |                   | 3           | 7       | 13.3 | 2.5 | -  | 9.6  | 5.5 | 1.1                  | ★ 153301 | QSM-M3-3                                | 10               |
|                                 | 1.1               | 4           | 9.8     | 15.7 | 2.5 | -  | 11.5 | 8   | 2.4                  | 130775   | QSM-M3-3-100                            | 100              |
|                                 |                   |             |         |      |     |    |      |     |                      | ★ 153303 | QSM-M3-4                                | 10               |
|                                 |                   |             |         |      |     |    |      |     |                      | 130776   | QSM-M3-4-100                            | 100              |
| M5                              | 1.1               | 2           | 4.8     | 11.8 | 3   | -  | 8.4  | 7   | 2.2                  | 133028   | QSM-M5-2                                | 10               |
|                                 |                   | 3           | 9.8     | 16.2 | 3   | -  | 11.5 | 8   | 3.4                  | ★ 153302 | QSM-M5-3                                | 10               |
|                                 | 2.2               | 4           | 9.8     | 16.2 | 3   | -  | 11.5 | 8   | 3.2                  | 130777   | QSM-M5-3-100                            | 100              |
|                                 |                   |             |         |      |     |    |      |     |                      | ★ 153304 | QSM-M5-4                                | 10               |
|                                 |                   |             |         |      |     |    |      |     |                      |          | 130778                                  | QSM-M5-4-100     |
|                                 | 2.1               | 6           | 11.8    | 17.3 | 3   | -  | 12   | 10  | 4.5                  | ★ 153306 | QSM-M5-6                                | 10               |
|                                 |                   |             |         |      |     |    |      |     |                      | 130779   | QSM-M5-6-100                            | 100              |
| M6                              | 2.8               | 6           | 11.8    | 18   | 3.9 | -  | 11.7 | 10  | 4.8                  | ★ 132600 | QSM-M6-6                                | 1                |
| R thread                        |                   |             |         |      |     |    |      |     |                      |          |   |                  |
| R <sup>1</sup> / <sub>8</sub>   | 2.9               | 4           | -       | 16   | 8   | 12 | 11.5 | 10  | 6                    | ★ 153305 | QSM- <sup>1</sup> / <sub>8</sub> -4     | 10               |
|                                 |                   |             |         |      |     |    |      |     |                      | 130755   | QSM- <sup>1</sup> / <sub>8</sub> -4-100 | 100              |
|                                 | 4.5               | 6           | -       | 18   | 8   | 14 | 12   | 10  | 6                    | ★ 153307 | QSM- <sup>1</sup> / <sub>8</sub> -6     | 10               |
|                                 |                   |             |         |      |     |    |      |     |                      | 130756   | QSM- <sup>1</sup> / <sub>8</sub> -6-100 | 100              |
| G thread with sealing ring      |                   |             |         |      |     |    |      |     |                      |          |   |                  |
| G <sup>1</sup> / <sub>8</sub>   | 2.9               | 4           | -       | 16.4 | 5.1 | -  | -    | 13  | 9.4                  | ★ 186264 | QSM-G <sup>1</sup> / <sub>8</sub> -4    | 10               |
|                                 | 2.8               | 6           | -       | 18.4 | 5.1 | -  | -    | 13  | 11                   | ★ 186265 | QSM-G <sup>1</sup> / <sub>8</sub> -6    | 10               |

1) Packaging unit quantity

Festo core product range

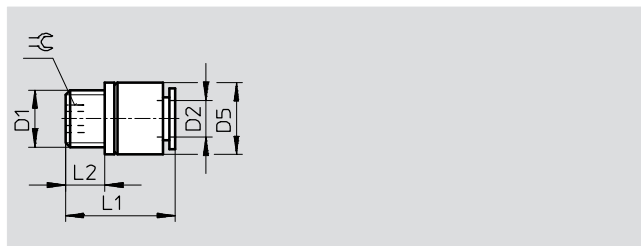
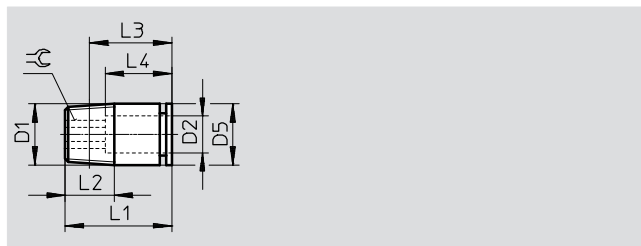
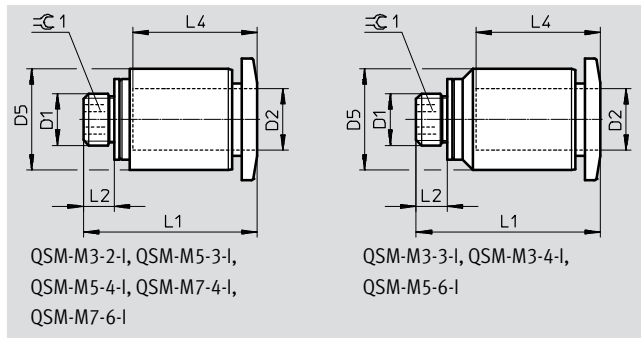
- ★ Ready for dispatch from the Festo factory in 24 hours
- ☆ Ready for dispatch in 5 days maximum from stock

# Push-in fittings QSM, mini series



Technical data

**Push-in fitting QSM-...-I**  
Male thread with internal hex



| Dimensions and ordering data           |                   |             |      |      |     |      |      |     |                   |          |  |                  |
|--|-------------------|-------------|------|------|-----|------|------|-----|-------------------|----------|--|------------------|
| Connection                             | Nominal size [mm] | Tubing O.D. | D5 Ø | L1   | L2  | L3   | L4   | ⊘   | Weight/ piece [g] | Part No. | Type                                   | PU <sup>1)</sup> |
| D1                                     |                   | D2          |      |      |     |      |      |     |                   |          |  |                  |
| <b>Metric thread with sealing ring</b> |                   |             |      |      |     |      |      |     |                   |          |  |                  |
| M3                                     | 1.1               | 2           | 5    | 12.1 | 2.5 | -    | 8.4  | 1.3 | 0.8               | 133026   | QSM-M3-2-I                             | 10               |
|  | 1.6               | 3           | 8    | 15.7 | 2.5 | -    | 11.5 | 1.5 | 2.3               | ★ 153312 | QSM-M3-3-I                             | 10               |
|  | 1.5               | 4           | 8    | 15.7 | 2.5 | -    | 11.5 | 1.5 | 2.2               | ★ 153314 | QSM-M3-4-I                             | 10               |
| M5                                     | 1.9               | 3           | 8    | 16.2 | 3   | -    | 11.5 | 2   | 3.2               | ★ 153313 | QSM-M5-3-I                             | 10               |
|  | 2.5               | 4           | 8    | 16.2 | 3   | -    | 11.5 | 2.5 | 3                 | ★ 153315 | QSM-M5-4-I                             | 10               |
|  | 2.6               | 6           | 9.8  | 17.8 | 3   | -    | 12   | 2.5 | 4.4               | ★ 153317 | QSM-M5-6-I                             | 10               |
| M7                                     | 3.1               | 4           | 9.8  | 18.9 | 5.5 | -    | 11.5 | 3   | 6                 | ★ 153319 | QSM-M7-4-I                             | 10               |
|  |                   |             |      |      |     |      |      |     |                   | 133006   | QSM-M7-4-I-100                         | 100              |
|  | 4.1               | 6           | 9.8  | 20.9 | 5.5 | -    | 12   | 4   | 6.4               | ★ 153321 | QSM-M7-6-I                             | 10               |
| <b>R thread</b>                        |                   |             |      |      |     |      |      |     |                   |          |  |                  |
| R <sup>1</sup> / <sub>8</sub>          | 3.1               | 4           | 10   | 16.4 | 8   | 12.4 | 11.5 | 3   | 6.2               | ★ 153316 | QSM-R <sup>1</sup> / <sub>8</sub> -4-I | 10               |
|  | 4.1               | 6           | 10   | 18.2 | 8   | 14.2 | 12.5 | 4   | 5.6               | ★ 153318 | QSM-R <sup>1</sup> / <sub>8</sub> -6-I | 10               |
| <b>G thread with sealing ring</b>      |                   |             |      |      |     |      |      |     |                   |          |  |                  |
| G <sup>1</sup> / <sub>8</sub>          | 3.1               | 4           | 13   | 16.4 | 5.1 | -    | -    | 3   | 8.9               | ★ 186266 | QSM-G <sup>1</sup> / <sub>8</sub> -4-I | 10               |
|  | 4.1               | 6           | 13   | 18.4 | 5.1 | -    | -    | 4   | 9.5               | ★ 186267 | QSM-G <sup>1</sup> / <sub>8</sub> -6-I | 10               |

1) Packaging unit quantity

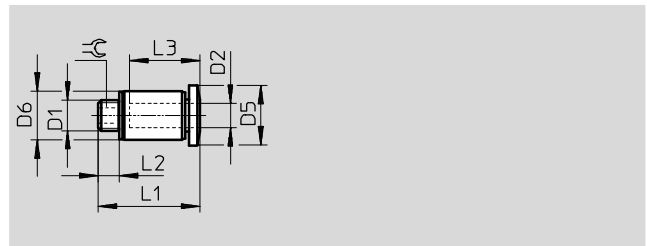
Festo core product range

- ★ Ready for dispatch from the Festo factory in 24 hours
- ☆ Ready for dispatch in 5 days maximum from stock

# Push-in fittings QSM, mini series

Technical data

**Push-in fitting QSM-...-I-R**  
 Male thread with internal hex  
 Round release ring



| Dimensions and ordering data                        |                   |                |      |      |      |     |      |     |                   |          |                  |                  |
|---|-------------------|----------------|------|------|------|-----|------|-----|-------------------|----------|------------------|------------------|
| Connection  | Nominal size [mm] | Tubing O.D. D2 | D5 Ø | D6 Ø | L1   | L2  | L3   | ⊕   | Weight/ piece [g] | Part No. | Type             | PU <sup>1)</sup> |
| Metric thread with sealing ring, round release ring |                   |                |      |      |      |     |      |     |                   |          |                  |                  |
| M3  | 1.6               | 3              | 6.0  | 5.5  | 13.3 | 2.5 | 9.6  | 1.5 | 2.3               | 133001   | QSM-M3-3-I-R     | 10               |
|   |                   |                |      |      |      |     |      |     |                   | 132914   | QSM-M3-3-I-R-100 | 100              |
|   | 1.5               | 4              | 7.8  | 8.0  | 15.7 | 2.5 | 11.5 | 1.5 | 2.2               | 133002   | QSM-M3-4-I-R     | 10               |
|   |                   |                |      |      |      |     |      |     |                   | 132915   | QSM-M3-4-I-R-100 | 100              |
| M5  | 1.9               | 3              | 7.8  | 8.0  | 16.2 | 3.0 | 11.5 | 2.0 | 3.2               | 133003   | QSM-M5-3-I-R     | 10               |
|   |                   |                |      |      |      |     |      |     |                   | 132916   | QSM-M5-3-I-R-100 | 100              |
|   | 2.5               | 4              | 7.8  | 8.0  | 16.2 | 3.0 | 11.5 | 2.5 | 3                 | 133004   | QSM-M5-4-I-R     | 10               |
|   |                   |                |      |      |      |     |      |     |                   | 132917   | QSM-M5-4-I-R-100 | 100              |
|   | 2.6               | 6              | 9.8  | 9.8  | 17.8 | 3.0 | 12   | 2.5 | 4.4               | 133005   | QSM-M5-6-I-R     | 10               |
|   |                   |                |      |      |      |     |      |     |                   | 132918   | QSM-M5-6-I-R-100 | 100              |
| M7  | 4.1               | 6              | 9.8  | 9.8  | 20.9 | 5.5 | 12   | 4.0 | 6.4               | 133007   | QSM-M7-6-I-R     | 10               |
|   |                   |                |      |      |      |     |      |     |                   | 132919   | QSM-M7-6-I-R-100 | 100              |

1) Packaging unit quantity

**New**  
**QSMP-M8X1.25-6**

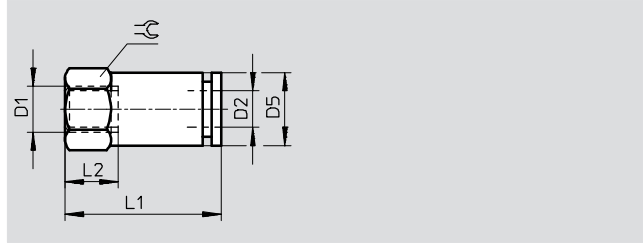
**Push-in fittings QSM, mini series**

Technical data



**Push-in fitting QSMF**

Female thread with external hex

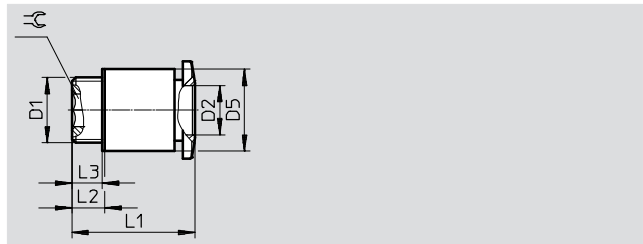


| Dimensions and ordering data    |              |             |     |      |     |     |               |               |                  |                  |
|---------------------------------|--------------|-------------|-----|------|-----|-----|---------------|---------------|------------------|------------------|
| Connection                      | Nominal size | Tubing O.D. | D5  | L1   | L2  | ⊕   | Weight/ piece | Part No.      | Type             | PU <sup>1)</sup> |
| D1                              | [mm]         | D2          | ∅   |      |     |     | [g]           |               |                  |                  |
| Metric thread with sealing ring |              |             |     |      |     |     |               |               |                  |                  |
| M3                              | 1.3          | 3           | 5.5 | 13.9 | 4.4 | 5.5 | 1.6           | <b>153308</b> | <b>QSMF-M3-3</b> | <b>10</b>        |
|                                 | 2.1          | 4           | 8   | 16   | 4.5 | 8   | 4.1           | <b>153310</b> | <b>QSMF-M3-4</b> | <b>10</b>        |
| M5                              | 1.9          | 3           | 8   | 15.5 | 4.5 | 8   | 4.3           | <b>153309</b> | <b>QSMF-M5-3</b> | <b>10</b>        |
|                                 | 1.8          | 4           | 8   | 18.2 | 4.5 | 8   | 4.5           | <b>153311</b> | <b>QSMF-M5-4</b> | <b>10</b>        |

1) Packaging unit quantity

**Push-in fitting QSMP**

Male thread with internal hex



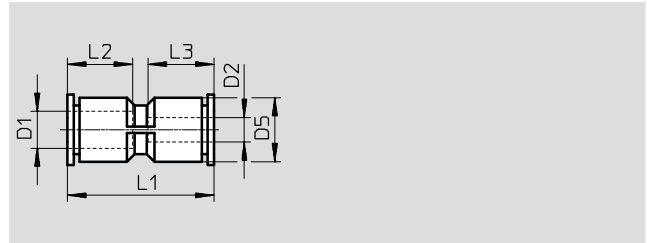
| Dimensions and ordering data    |              |             |    |      |     |     |     |               |               |                       |                  |
|---------------------------------|--------------|-------------|----|------|-----|-----|-----|---------------|---------------|-----------------------|------------------|
| Connection                      | Nominal size | Tubing O.D. | D5 | L1   | L2  | L3  | ⊕   | Weight/ piece | Part No.      | Type                  | PU <sup>1)</sup> |
| D1                              | [mm]         | D2          | ∅  |      |     |     |     | [g]           |               |                       |                  |
| Metric thread with sealing ring |              |             |    |      |     |     |     |               |               |                       |                  |
| M6x0.75                         | 2.5          | 4           | 8  | 14.6 | 3.5 | 3   | 2.5 | 2.7           | <b>153320</b> | <b>QSMP-M6X0.75-4</b> | <b>10</b>        |
| M8x0.75                         | 4            | 6           | 10 | 15.1 | 4   | 3.4 | 4   | 3.7           | <b>153322</b> | <b>QSMP-M8X0.75-6</b> | <b>10</b>        |
| M8x1.25                         | 4            | 6           | 10 | 19.1 | 7   | 6.4 | 4   | 4.7           | <b>154434</b> | <b>QSMP-M8X1.25-6</b> | <b>10</b>        |

1) Packaging unit quantity

# Push-in fittings QSM, mini series

Technical data

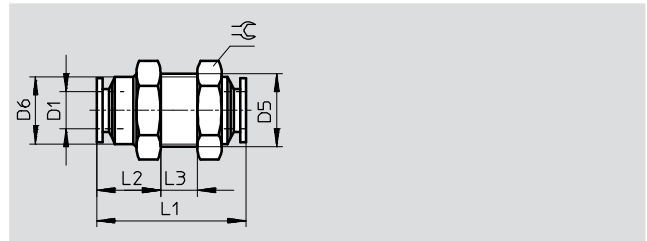
## Push-in connector QSM



| Dimensions and ordering data |              |             |      |      |      |      |               |          |             |                  |
|------------------------------|--------------|-------------|------|------|------|------|---------------|----------|-------------|------------------|
| Tubing O.D.                  | Nominal size | Tubing O.D. | D5   | L1   | L2   | L3   | Weight/ piece | Part No. | Type        | PU <sup>1)</sup> |
| D1                           | [mm]         | D2          | ∅    |      |      |      | [g]           |          |             |                  |
| 3                            | 1.9          | 3           | 6    | 20   | 9.5  | 9.5  | 1.5           | ★ 153323 | QSM-3       | 10               |
|                              |              |             |      |      |      |      |               | 130757   | QSM-3-100   | 100              |
| 4                            | 2.6          | 4           | 8    | 23.5 | 11.5 | 11.5 | 2             | ★ 153324 | QSM-4       | 10               |
|                              |              |             |      |      |      |      |               | 130758   | QSM-4-100   | 100              |
| 6                            | 3.7          | 6           | 10.5 | 25   | 12   | 12   | 4             | ★ 153325 | QSM-6       | 10               |
|                              |              |             |      |      |      |      |               | 130759   | QSM-6-100   | 100              |
| Reducing                     |              |             |      |      |      |      |               |          |             |                  |
| 3                            | 1.1          | 2           | 6    | 19.1 | 9.3  | 8.4  | 1             | 133029   | QSM-3-2     | 10               |
| 4                            | 1.7          | 3           | 8    | 23.9 | 11.6 | 11.6 | 2.1           | ★ 153326 | QSM-4-3     | 10               |
|                              |              |             |      |      |      |      |               | 130760   | QSM-4-3-100 | 100              |
| 6                            | 2.7          | 4           | 10.4 | 24.9 | 11.6 | 11.6 | 3             | ★ 153327 | QSM-6-4     | 10               |
|                              |              |             |      |      |      |      |               | 130761   | QSM-6-4-100 | 100              |

1) Packaging unit quantity

## Push-in bulkhead connector QSMS



| Dimensions and ordering data |              |         |    |      |     |      |    |               |          |            |                  |
|------------------------------|--------------|---------|----|------|-----|------|----|---------------|----------|------------|------------------|
| Tubing O.D.                  | Nominal size | D5      | D6 | L1   | L2  | L3   | ∅  | Weight/ piece | Part No. | Type       | PU <sup>1)</sup> |
| D1                           | [mm]         |         | ∅  |      |     | max. |    | [g]           |          |            |                  |
| 3                            | 1.7          | M8x0.75 | 7  | 19.5 | 7   | 7.5  | 10 | 3             | ★ 153375 | QSMS-3     | 10               |
| 4                            | 2.2          | M10x1   | 9  | 24   | 9.5 | 7.5  | 12 | 6             | ★ 153376 | QSMS-4     | 10               |
|                              |              |         |    |      |     |      |    |               | 130780   | QSMS-4-100 | 100              |
| 6                            | 3.7          | M12x1   | 11 | 25   | 11  | 6    | 14 | 9             | ★ 153377 | QSMS-6     | 10               |
|                              |              |         |    |      |     |      |    |               | 130781   | QSMS-6-100 | 100              |

1) Packaging unit quantity

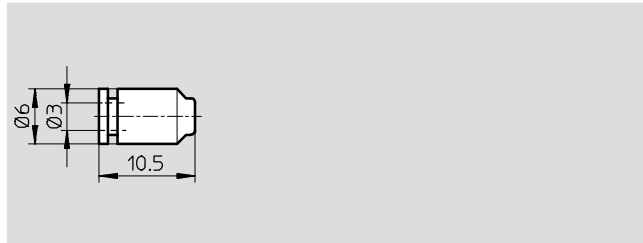
Festo core product range

- ★ Ready for dispatch from the Festo factory in 24 hours
- ☆ Ready for dispatch in 5 days maximum from stock

# Push-in fittings QSM, mini series

Technical data

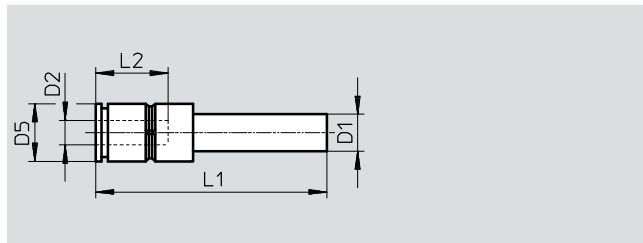
## Push-in cap QSMC



| Ordering data |                  |          |        |                  |
|---------------|------------------|----------|--------|------------------|
| Tubing O.D.   | Weight/piece [g] | Part No. | Type   | PU <sup>1)</sup> |
| 3             | 0.5              | 153381   | QSMC-3 | 10               |

1) Packaging unit quantity

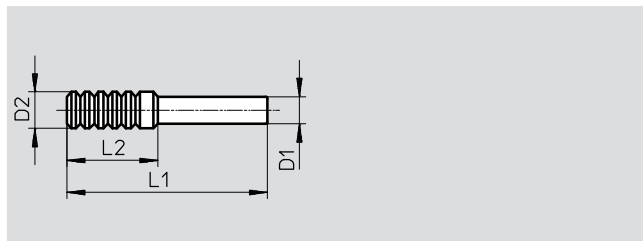
## Push-in connector QSM-...H with push-in sleeve



| Dimensions and ordering data |                   |                |      |      |      |                  |          |              |                  |
|------------------------------|-------------------|----------------|------|------|------|------------------|----------|--------------|------------------|
| Push-in sleeve Ø D1          | Nominal size [mm] | Tubing O.D. D2 | D5 Ø | L1   | L2   | Weight/piece [g] | Part No. | Type         | PU <sup>1)</sup> |
| 3                            | 1.1               | 2              | 6    | 26.3 | 8.4  | 0.6              | 133035   | QSM-3H-2     | 10               |
| 4                            | 1.7               | 3              | 6    | 27   | 9.5  | 0.8              | ★ 153328 | QSM-4H-3     | 10               |
|                              |                   |                |      |      |      |                  | 130762   | QSM-4H-3-100 | 100              |
| 6                            | 2.6               | 4              | 9    | 32.6 | 11.6 | 2.4              | ★ 153329 | QSM-6H-4     | 10               |
|                              |                   |                |      |      |      |                  | 130763   | QSM-6H-4-100 | 100              |

1) Packaging unit quantity

## Blanking plug QSMC-...H



| Dimensions and ordering data |      |    |      |                  |          |         |                  |
|------------------------------|------|----|------|------------------|----------|---------|------------------|
| Push-in sleeve Ø D1          | D2 Ø | L1 | L2   | Weight/piece [g] | Part No. | Type    | PU <sup>1)</sup> |
| 2                            | 3    | 20 | 10.2 | 0.1              | 133036   | QSMC-2H | 10               |
| 3                            | 4    | 22 | 10.2 | 0.2              | 153382   | QSMC-3H | 10               |

1) Packaging unit quantity

Festo core product range ★ Ready for dispatch from the Festo factory in 24 hours  
☆ Ready for dispatch in 5 days maximum from stock

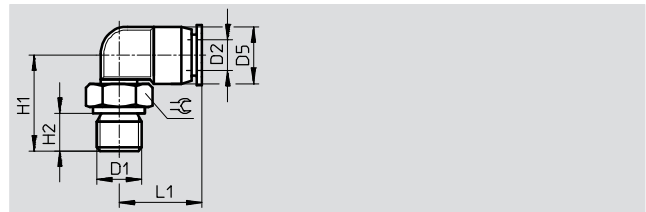
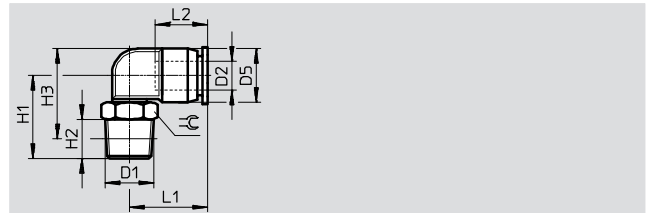
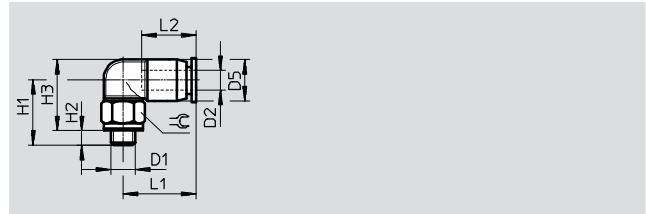
# Push-in fittings QSM, mini series

Technical data

## Push-in L-fitting QSML

Orientable

Male thread with external hex



| Dimensions and ordering data           |              |             |      |      |      |      |      |      |     |               |           |   |                  |
|--|--------------|-------------|------|------|------|------|------|------|-----|---------------|-----------|---|------------------|
| Connection                             | Nominal size | Tubing O.D. | D5   | H1   | H2   | H3   | L1   | L2   | ≈   | Weight/ piece | Part No.  | Type                                      | PU <sup>1)</sup> |
| D1                                     | [mm]         | D2          | ∅    |      |      |      |      |      |     | [g]           |           |   |                  |
| <b>Metric thread with sealing ring</b> |              |             |      |      |      |      |      |      |     |               |           |   |                  |
| M3                                     | 0.8          | 2           | 6    | 12   | 2.5  | 12.5 | 10.3 | 8.4  | 5.5 | 1.4           | 133030    | QSML-M3-2                                 | 10               |
|  |              | 3           | 6    | 12   | 2.5  | 12.5 | 11   | 9.5  | 5.5 | 1.4           | ★ 153330  | QSML-M3-3                                 | 10               |
|  | 1.3          | 4           | 8    | 14   | 2.5  | 15.5 | 15.7 | 11.6 | 8   | 3             | 130768    | QSML-M3-3-100                             | 100              |
|  |              |             |      |      |      |      |      |      |     |               | ★ 153332  | QSML-M3-4                                 | 10               |
|  |              |             |      |      |      |      |      |      |     |               | 130769    | QSML-M3-4-100                             | 100              |
| M5                                     | 0.9          | 2           | 6    | 13.5 | 3    | 13.5 | 10.3 | 8.4  | 8   | 2.7           | 133031    | QSML-M5-2                                 | 10               |
|  | 1.5          | 3           | 6    | 13.5 | 3    | 13.5 | 11   | 9.5  | 8   | 2.8           | ★ 153331  | QSML-M5-3                                 | 10               |
|  |              |             |      |      |      |      |      |      |     |               | 130770    | QSML-M5-3-100                             | 100              |
|  | 1.7          | 4           | 8    | 13.5 | 3    | 14.5 | 15.7 | 11.6 | 8   | 3.4           | ★ 153333  | QSML-M5-4                                 | 10               |
|  |              |             |      |      |      |      |      |      |     |               |           | 130771                                    | QSML-M5-4-100    |
| 2.1                                    | 6            | 10.5        | 14.5 | 3    | 16.8 | 16.3 | 11.9 | 8    | 4.1 | ★ 153335      | QSML-M5-6 | 10  |                  |
|  |              |             |      |      |      |      |      |      |     |               | 130772    | QSML-M5-6-100                             | 100              |
| M7                                     | 2            | 4           | 8    | 17   | 5.5  | 15.5 | 15.7 | 11.6 | 10  | 5.6           | ★ 186352  | QSML-M7-4                                 | 10               |
|  | 2.4          | 6           | 10.5 | 19   | 5.5  | 18.8 | 16.3 | 11.9 | 10  | 6.2           | 130773    | QSML-M7-4-100                             | 100              |
|  |              |             |      |      |      |      |      |      |     |               | ★ 186353  | QSML-M7-6                                 | 10               |
|  |              |             |      |      |      |      |      |      |     |               | 130774    | QSML-M7-6-100                             | 100              |
| <b>R thread</b>                        |              |             |      |      |      |      |      |      |     |               |           |   |                  |
| R <sup>1</sup> / <sub>8</sub>          | 2.5          | 4           | 8.5  | 16   | 8    | 16.3 | 16   | 11.5 | 10  | 6             | ★ 153334  | QSML- <sup>1</sup> / <sub>8</sub> -4      | 10               |
|  |              |             |      |      |      |      |      |      |     |               | 130764    | QSML- <sup>1</sup> / <sub>8</sub> -4-100  | 100              |
|  | 3.3          | 6           | 11   | 17   | 8    | 18.5 | 16.5 | 12   | 10  | 7             | ★ 153336  | QSML- <sup>1</sup> / <sub>8</sub> -6      | 10               |
|  |              |             |      |      |      |      |      |      |     |               | 130765    | QSML- <sup>1</sup> / <sub>8</sub> -6-100  | 100              |
| <b>G thread with sealing ring</b>      |              |             |      |      |      |      |      |      |     |               |           |   |                  |
| G <sup>1</sup> / <sub>8</sub>          | 2.5          | 4           | 8    | 16.5 | 5.1  | -    | 15.7 | -    | 13  | 9             | ★ 186268  | QSML-G <sup>1</sup> / <sub>8</sub> -4     | 10               |
|  |              |             |      |      |      |      |      |      |     |               | 132897    | QSML-G <sup>1</sup> / <sub>8</sub> -4-100 | 100              |
|  | 3.3          | 6           | 10.5 | 17.5 | 5.1  | -    | 16.3 | -    | 13  | 9.7           | ★ 186269  | QSML-G <sup>1</sup> / <sub>8</sub> -6     | 10               |

1) Packaging unit quantity

Festo core product range

- ★ Ready for dispatch from the Festo factory in 24 hours
- ☆ Ready for dispatch in 5 days maximum from stock

# Push-in fittings QSM, mini series

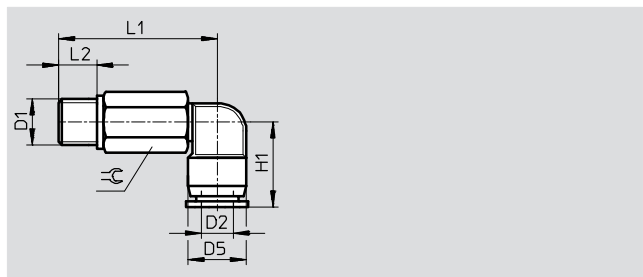
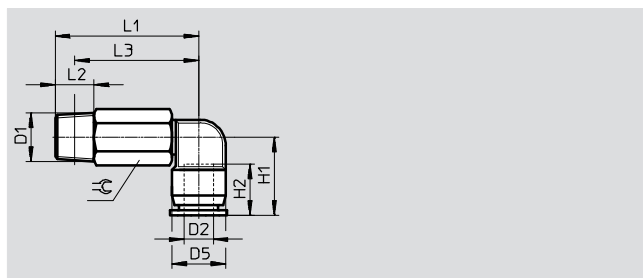
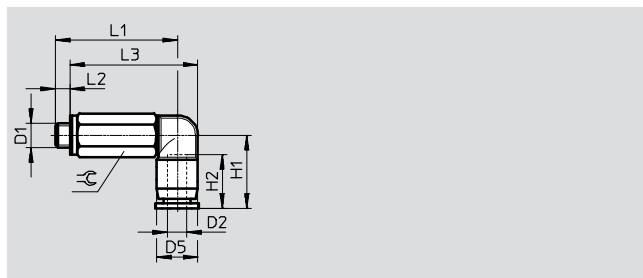


Technical data

## Push-in long L-fitting QSMLL

Orientable

Male thread with external hex



| Dimensions and ordering data           |              |             |      |      |      |      |     |      |     |               |          |  |                  |     |
|--|--------------|-------------|------|------|------|------|-----|------|-----|---------------|----------|--|------------------|-----|
| Connection                             | Nominal size | Tubing O.D. | D5   | H1   | H2   | L1   | L2  | L3   | ≅   | Weight/ piece | Part No. | Type                                   | PU <sup>1)</sup> |     |
| D1                                     | [mm]         | D2          | ∅    |      |      |      |     |      |     | [g]           |          |  |                  |     |
| <b>Metric thread with sealing ring</b> |              |             |      |      |      |      |     |      |     |               |          |  |                  |     |
| M3                                     | 0.8          | 2           | 6    | 10.3 | 8.4  | 19   | 2.5 | 19.5 | 5.5 | 2.7           | 133032   | QSMLL-M3-2                             | 10               |     |
|  | 0.9          | 3           | 6    | 11   | 9.5  | 19   | 2.5 | 19.5 | 5.5 | 2.8           | 153337   | QSMLL-M3-3                             | 10               |     |
|  |              |             |      |      |      |      |     |      |     |               |          | 133011                                 | QSMLL-M3-3-100   | 100 |
| M5                                     | 1.1          | 4           | 8    | 15.7 | 11.6 | 23   | 2.5 | 24.5 | 8   | 6.8           | 153338   | QSMLL-M3-4                             | 10               |     |
|  | 0.9          | 2           | 6    | 10.3 | 8.4  | 25   | 3   | 25   | 8   | 7,6           | 133033   | QSMLL-M5-2                             | 10               |     |
|  | 1.5          | 3           | 6    | 11   | 9.5  | 25   | 3   | 25   | 8   | 7,7           | 130838   | QSMLL-M5-3                             | 10               |     |
|  |              |             |      |      |      |      |     |      |     |               |          | 133012                                 | QSMLL-M5-3-100   | 100 |
|  |              |             |      |      |      |      |     |      |     |               |          | 153339                                 | QSMLL-M5-4       | 10  |
| M7                                     | 2            | 4           | 8    | 15.7 | 11.6 | 25   | 3   | 26   | 8   | 8.3           | 133013   | QSMLL-M5-4-100                         | 100              |     |
|  | 2            | 6           | 10.5 | 16.3 | 11.9 | 26   | 3   | 28.3 | 8   | 9             | 153341   | QSMLL-M5-6                             | 10               |     |
|  | 2            | 4           | 8    | 15.7 | 11.6 | 29.5 | 5.5 | 28   | 10  | 14            | 186354   | QSMLL-M7-4                             | 10               |     |
|  |              |             |      |      |      |      |     |      |     |               |          | 133014                                 | QSMLL-M7-4-100   | 100 |
|  | 2.4          | 6           | 10.5 | 16.3 | 11.9 | 31.5 | 5.5 | 31.3 | 10  | 14            | 186355   | QSMLL-M7-6                             | 10               |     |
| <b>R thread</b>                        |              |             |      |      |      |      |     |      |     |               |          |  |                  |     |
| R <sup>1</sup> / <sub>8</sub>          | 2.3          | 4           | 8.5  | 15.5 | 11.5 | 28.5 | 8   | 22   | 10  | 13            | 153340   | QSMLL-R <sup>1</sup> / <sub>8</sub> -4 | 10               |     |
|  | 3.1          | 6           | 11   | 16.5 | 12   | 29.5 | 8   | 25.5 | 10  | 14            | 153342   | QSMLL-R <sup>1</sup> / <sub>8</sub> -6 | 10               |     |
| <b>G thread with sealing ring</b>      |              |             |      |      |      |      |     |      |     |               |          |  |                  |     |
| G <sup>1</sup> / <sub>8</sub>          | 2.3          | 4           | 8    | 15.7 | -    | 29   | 5.1 | -    | 13  | 23            | 186270   | QSMLL-G <sup>1</sup> / <sub>8</sub> -4 | 10               |     |
|  | 3.1          | 6           | 10.5 | 16.3 | -    | 30   | 5.1 | -    | 13  | 23            | 186271   | QSMLL-G <sup>1</sup> / <sub>8</sub> -6 | 10               |     |

1) Packaging unit quantity

# Push-in fittings QSM, mini series

Technical data

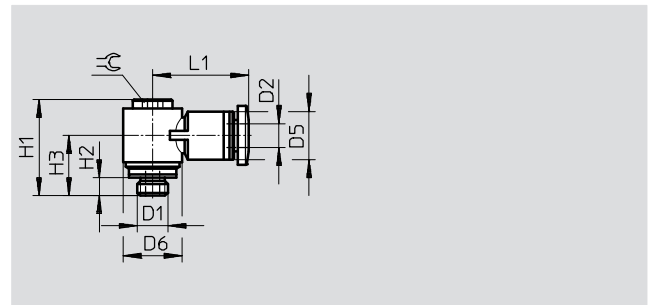
## Push-in L-fitting QSMLV-...-I

Orientable

Male thread with internal hex



M thread



| Dimensions and ordering data    |                   |             |         |         |      |     |      |      |   |                   |          |              |                  |
|---------------------------------|-------------------|-------------|---------|---------|------|-----|------|------|---|-------------------|----------|--------------|------------------|
| Connection                      | Nominal size [mm] | Tubing O.D. | D5<br>∅ | D6<br>∅ | H1   | H2  | H3   | L1   | ⌀ | Weight/ piece [g] | Part No. | Type         | PU <sup>1)</sup> |
| D1                              | [mm]              | D2          |         |         |      |     |      |      |   |                   |          |              |                  |
| Metric thread with sealing ring |                   |             |         |         |      |     |      |      |   |                   |          |              |                  |
| M5                              | 1.7               | 3           | 8       | 9.8     | 16.5 | 3.5 | 10.5 | 16   | 3 | 5.1               | 130830   | QSMLV-M5-3-I | 10               |
|                                 | 1.8               | 4           | 8       | 9.8     | 16.5 | 3.5 | 10.5 | 16   | 3 | 5.0               | 130831   | QSMLV-M5-4-I | 10               |
| M7                              | 1.9               | 4           | 8       | 9.8     | 18.5 | 5.5 | 12.5 | 16   | 3 | 5.6               | 130832   | QSMLV-M7-4-I | 10               |
|                                 | 1.8               | 6           | 10.5    | 9.8     | 18.5 | 5.5 | 12.5 | 17.8 | 3 | 6.2               | 130833   | QSMLV-M7-6-I | 10               |

1) Packaging unit quantity

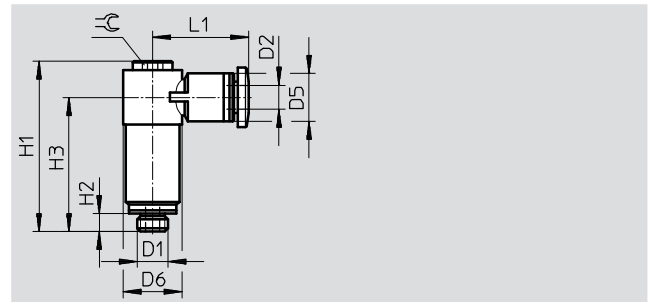
## Push-in long L-fitting QSMLLV-...-I

Orientable

Male thread with internal hex



M thread



| Dimensions and ordering data    |                   |             |         |         |      |     |      |      |   |                   |          |               |                  |
|---------------------------------|-------------------|-------------|---------|---------|------|-----|------|------|---|-------------------|----------|---------------|------------------|
| Connection                      | Nominal size [mm] | Tubing O.D. | D5<br>∅ | D6<br>∅ | H1   | H2  | H3   | L1   | ⌀ | Weight/ piece [g] | Part No. | Type          | PU <sup>1)</sup> |
| D1                              | [mm]              | D2          |         |         |      |     |      |      |   |                   |          |               |                  |
| Metric thread with sealing ring |                   |             |         |         |      |     |      |      |   |                   |          |               |                  |
| M5                              | 1.6               | 3           | 8       | 9.8     | 28.3 | 3.5 | 22.3 | 16   | 3 | 10.9              | 130834   | QSMLLV-M5-3-I | 10               |
|                                 | 1.8               | 4           | 8       | 9.8     | 28.3 | 3.5 | 22.3 | 16   | 3 | 10.9              | 130835   | QSMLLV-M5-4-I | 10               |
| M7                              | 1.9               | 4           | 8       | 9.8     | 30.3 | 5.5 | 24.3 | 16   | 3 | 11.8              | 130836   | QSMLLV-M7-4-I | 10               |
|                                 | 1.9               | 6           | 10.5    | 9.8     | 30.3 | 5.5 | 24.3 | 17.8 | 3 | 12.4              | 130837   | QSMLLV-M7-6-I | 10               |

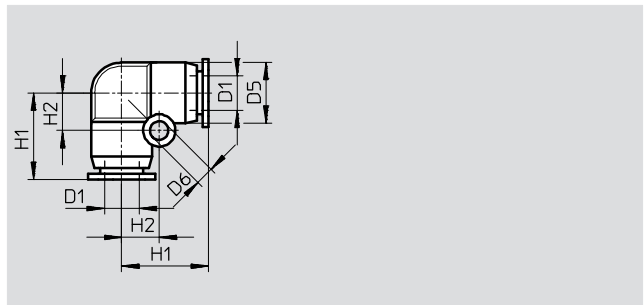
1) Packaging unit quantity

# Push-in fittings QSM, mini series

Technical data



## Push-in L-connector QSML

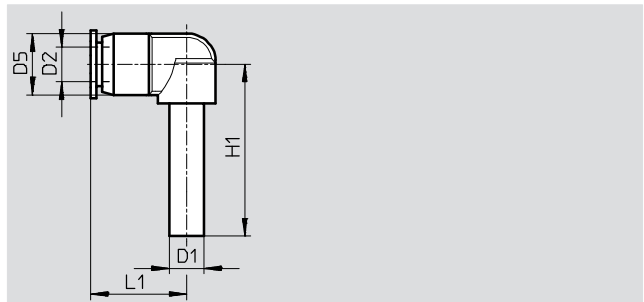


| Dimensions and ordering data |              |      |     |      |     |                  |          |            |                  |
|------------------------------|--------------|------|-----|------|-----|------------------|----------|------------|------------------|
| Tubing O.D.                  | Nominal size | D5   | D6  | H1   | H2  | Weight/<br>piece | Part No. | Type       | PU <sup>1)</sup> |
| D1                           | [mm]         | ∅    | ∅   |      |     | [g]              |          |            |                  |
| 3                            | 1.7          | 6    | 3.2 | 11   | 4.5 | 1.5              | ★ 153343 | QSML-3     | 10               |
| 4                            | 2.5          | 8    | 3.2 | 13.5 | 5.5 | 2                | ★ 153344 | QSML-4     | 10               |
|                              |              |      |     |      |     |                  | 130766   | QSML-4-100 | 100              |
| 6                            | 3.4          | 10.5 | 3.2 | 15.5 | 6.5 | 4                | ★ 153345 | QSML-6     | 10               |
|                              |              |      |     |      |     |                  | 130767   | QSML-6-100 | 100              |

1) Packaging unit quantity

## Push-in L-connector QSML-...H

with push-in sleeve



| Dimensions and ordering data |              |             |      |      |      |                  |          |           |                  |
|------------------------------|--------------|-------------|------|------|------|------------------|----------|-----------|------------------|
| Push-in sleeve ∅             | Nominal size | Tubing O.D. | D5   | H1   | L1   | Weight/<br>piece | Part No. | Type      | PU <sup>1)</sup> |
| D1                           | [mm]         | D2          | ∅    |      |      | [g]              |          |           |                  |
| 3                            | 1.2          | 3           | 9    | 24   | 14.7 | 1.7              | ★ 153346 | QSML-3H   | 10               |
| 4                            | 1.9          | 4           | 9    | 25   | 14.7 | 1.7              | ★ 153347 | QSML-4H   | 10               |
| 6                            | 3.2          | 6           | 10.5 | 26.5 | 17.3 | 2.4              | ★ 153348 | QSML-6H   | 10               |
| Reducing                     |              |             |      |      |      |                  |          |           |                  |
| 4                            | 1.7          | 3           | 9    | 25   | 14.7 | 1.7              | ★ 153349 | QSML-4H-3 | 10               |
| 6                            | 1.9          | 4           | 9    | 26   | 14.7 | 1.9              | ★ 153350 | QSML-6H-4 | 10               |

1) Packaging unit quantity

Festo core product range

- ★ Ready for dispatch from the Festo factory in 24 hours
- ☆ Ready for dispatch in 5 days maximum from stock

# Push-in fittings QSM, mini series

Technical data

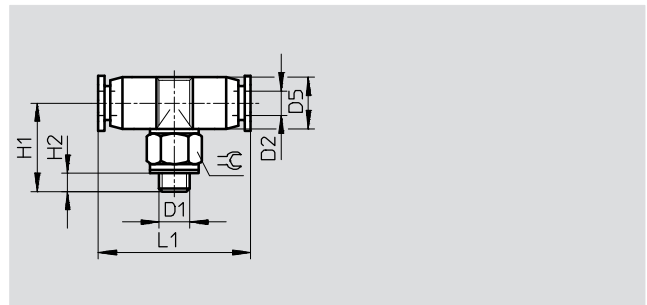
## Push-in T-fitting QSMT

Orientable

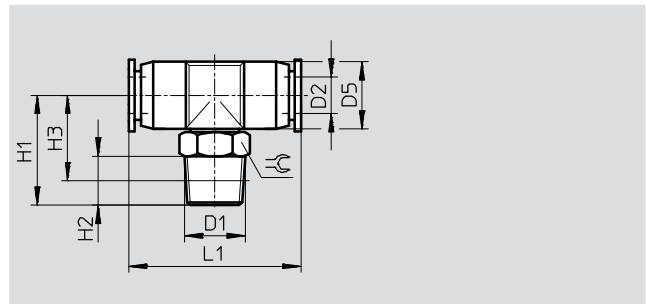
Male thread with external hex



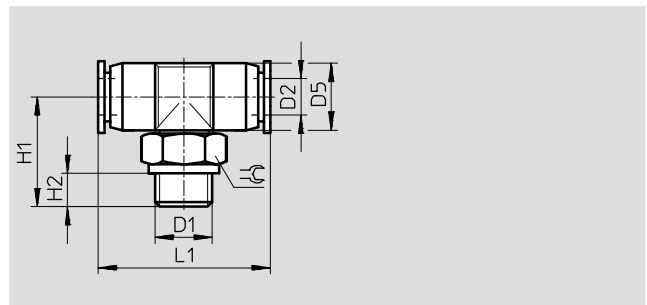
M thread



R thread



G thread



| Dimensions and ordering data    |              |             |      |      |     |    |      |     |               |               |               |                  |
|---------------------------------|--------------|-------------|------|------|-----|----|------|-----|---------------|---------------|---------------|------------------|
| Connection                      | Nominal size | Tubing O.D. | D5   | H1   | H2  | H3 | L1   | ⌀   | Weight/ piece | Part No.      | Type          | PU <sup>1)</sup> |
| D1                              | [mm]         | D2          | ∅    |      |     |    |      |     | [g]           |               |               |                  |
| Metric thread with sealing ring |              |             |      |      |     |    |      |     |               |               |               |                  |
| M3                              | 0.9          | 3           | 6    | 12.8 | 3.3 | –  | 22   | 5.5 | 2             | 153351        | QSMT-M3-3     | 10               |
|                                 | 1.3          | 4           | 8    | 15.8 | 3.3 | –  | 26.2 | 8   | 4             | 153353        | QSMT-M3-4     | 10               |
| M5                              | 1.6          | 3           | 6    | 14   | 3.5 | –  | 22   | 8   | 3.3           | 153352        | QSMT-M5-3     | 10               |
|                                 | 2.2          | 4           | 8    | 15   | 3.5 | –  | 26.2 | 8   | 4.4           | 153354        | QSMT-M5-4     | 10               |
|                                 |              |             |      |      |     |    |      |     |               | 130784        | QSMT-M5-4-100 | 100              |
|                                 | 2.1          | 6           | 10.5 | 16   | 3.5 | –  | 28.4 | 8   | 5.6           | 153356        | QSMT-M5-6     | 10               |
| 130785                          |              |             |      |      |     |    |      |     |               | QSMT-M5-6-100 | 100           |                  |
| R thread                        |              |             |      |      |     |    |      |     |               |               |               |                  |
| R1/8                            | 2.4          | 4           | 8.5  | 17   | 8   | 13 | 27   | 10  | 7             | 153355        | QSMT-1/8-4    | 10               |
|                                 | 3.3          | 6           | 11   | 18   | 8   | 14 | 30   | 10  | 8             | 153357        | QSMT-1/8-6    | 10               |
| G thread with sealing ring      |              |             |      |      |     |    |      |     |               |               |               |                  |
| G1/8                            | 2.4          | 4           | 8    | 17.5 | 5.1 | –  | 26.2 | 13  | 10            | 186272        | QSMT-G1/8-4   | 10               |
|                                 | 3.3          | 6           | 10.5 | 18.5 | 5.1 | –  | 28.4 | 13  | 12            | 186273        | QSMT-G1/8-6   | 10               |

1) Packaging unit quantity

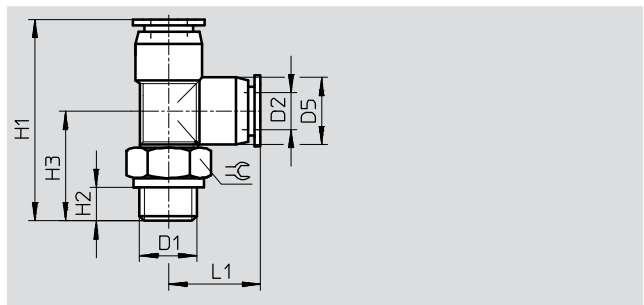
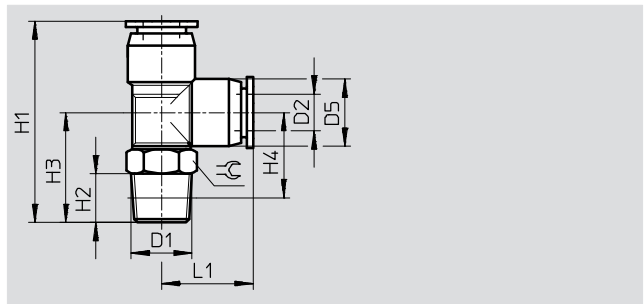
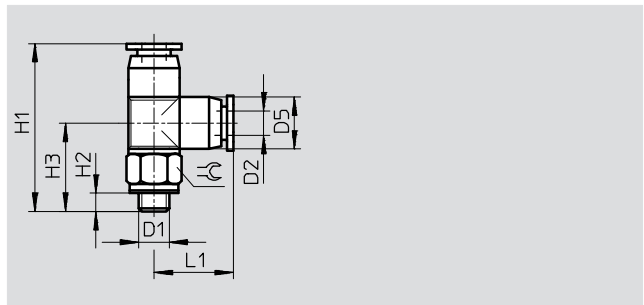
# Push-in fittings QSM, mini series

Technical data

## Push-in T-fitting QSMTL

Orientable

Male thread with external hex



| Dimensions and ordering data           |              |             |      |      |     |      |    |      |     |               |          |  |                  |
|--|--------------|-------------|------|------|-----|------|----|------|-----|---------------|----------|--|------------------|
| Connection                             | Nominal size | Tubing O.D. | D5   | H1   | H2  | H3   | H4 | L1   | ⊕   | Weight/ piece | Part No. | Type                                   | PU <sup>1)</sup> |
| D1                                     | [mm]         | D2          | ∅    |      |     |      |    |      |     | [g]           |          |  |                  |
| <b>Metric thread with sealing ring</b> |              |             |      |      |     |      |    |      |     |               |          |  |                  |
| M3                                     | 0.9          | 3           | 6    | 23.8 | 3.3 | 12.8 | -  | 11   | 5.5 | 2             | 153358   | QSMTL-M3-3                             | 10               |
|  | 1.1          | 4           | 8    | 29.5 | 3.3 | 15.8 | -  | 13.7 | 8   | 4             | 153360   | QSMTL-M3-4                             | 10               |
| M5                                     | 1.7          | 3           | 6    | 25   | 3.5 | 14   | -  | 11   | 8   | 3.3           | 153359   | QSMTL-M5-3                             | 10               |
|  | 1.6          | 4           | 8    | 28.7 | 3.5 | 15   | -  | 13.7 | 8   | 4.4           | 153361   | QSMTL-M5-4                             | 10               |
|  | 1.7          | 6           | 10.5 | 31.3 | 3.5 | 16   | -  | 15.3 | 8   | 5.7           | 153363   | QSMTL-M5-6                             | 10               |
| <b>R thread</b>                        |              |             |      |      |     |      |    |      |     |               |          |  |                  |
| R <sup>1</sup> / <sub>8</sub>          | 2.4          | 4           | 8.5  | 30   | 8   | 17   | 13 | 13   | 10  | 7             | 153362   | QSMTL-R <sup>1</sup> / <sub>8</sub> -4 | 10               |
|  | 3.3          | 6           | 10.5 | 33   | 8   | 18   | 14 | 15   | 10  | 8.5           | 153364   | QSMTL-R <sup>1</sup> / <sub>8</sub> -6 | 10               |
| <b>G thread with sealing ring</b>      |              |             |      |      |     |      |    |      |     |               |          |  |                  |
| G <sup>1</sup> / <sub>8</sub>          | 2.4          | 4           | 8    | 31.2 | 5.1 | 17.5 | -  | 13.7 | 13  | 10            | 186274   | QSMTL-G <sup>1</sup> / <sub>8</sub> -4 | 10               |
|  | 3.3          | 6           | 10.5 | 33.8 | 5.1 | 18.5 | -  | 15.3 | 13  | 12            | 186275   | QSMTL-G <sup>1</sup> / <sub>8</sub> -6 | 10               |

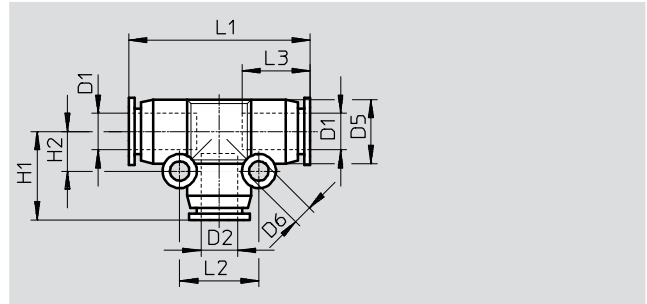
1) Packaging unit quantity

# Push-in fittings QSM, mini series

Technical data

FESTO

## Push-in T-connector QSMT



| Dimensions and ordering data |                   |             |         |         |      |     |      |      |      |                   |          |            |                  |
|------------------------------|-------------------|-------------|---------|---------|------|-----|------|------|------|-------------------|----------|------------|------------------|
| Tubing O.D.                  | Nominal size [mm] | Tubing O.D. | D5<br>∅ | D6<br>∅ | H1   | H2  | L1   | L2   | L3   | Weight/ piece [g] | Part No. | Type       | PU <sup>1)</sup> |
| D1                           |                   | D2          |         |         |      |     |      |      |      |                   |          |            |                  |
| 2                            | 0.9               | 2           | 6       | 3.2     | 10.3 | 4.5 | 20.5 | 9    | 8.4  | 1.6               | 133034   | QSMT-2     | 10               |
| 3                            | 1.6               | 3           | 6       | 3.2     | 11   | 4.5 | 22   | 9    | 9.5  | 1.7               | ★ 153365 | QSMT-3     | 10               |
| 4                            | 2.4               | 4           | 8       | 3.2     | 13.7 | 5.6 | 27.3 | 11.2 | 11.6 | 3.3               | ★ 153366 | QSMT-4     | 10               |
|                              |                   |             |         |         |      |     |      |      |      |                   | 130782   | QSMT-4-100 | 100              |
| 6                            | 3.4               | 6           | 10.5    | 3.2     | 15.3 | 6.6 | 30.5 | 13.2 | 11.9 | 5.3               | ★ 153367 | QSMT-6     | 10               |
|                              |                   |             |         |         |      |     |      |      |      |                   | 130783   | QSMT-6-100 | 100              |
| Reducing                     |                   |             |         |         |      |     |      |      |      |                   |          |            |                  |
| 4                            | 1.7               | 3           | 8       | 3.2     | 13   | 5.5 | 27   | 11   | 11.5 | 3.5               | ★ 153368 | QSMT-4-3   | 10               |
| 6                            | 2.6               | 4           | 10.5    | 3.2     | 15   | 6.5 | 30   | 13   | 12   | 4                 | ★ 153369 | QSMT-6-4   | 10               |

1) Packaging unit quantity

Festo core product range

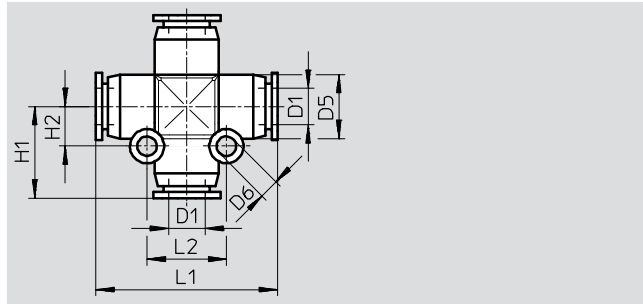
- ★ Ready for dispatch from the Festo factory in 24 hours
- ☆ Ready for dispatch in 5 days maximum from stock

# Push-in fittings QSM, mini series

Technical data



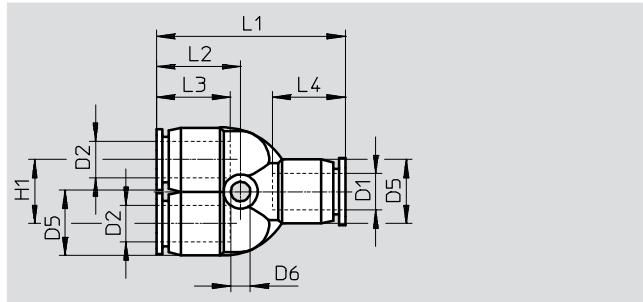
## Push-in X-connector QSMX



| Dimensions and ordering data |              |      |     |      |     |    |    |                  |               |               |                  |
|------------------------------|--------------|------|-----|------|-----|----|----|------------------|---------------|---------------|------------------|
| Tubing O.D.                  | Nominal size | D5   | D6  | H1   | H2  | L1 | L2 | Weight/<br>piece | Part No.      | Type          | PU <sup>1)</sup> |
| D1                           | [mm]         | ∅    | ∅   |      |     |    |    | [g]              |               |               |                  |
| 3                            | 1.7          | 8    | 3.2 | 13.5 | 5.5 | 27 | 11 | 4                | <b>153378</b> | <b>QSMX-3</b> | <b>10</b>        |
| 4                            | 2.5          | 8    | 3.2 | 13.5 | 5.5 | 27 | 11 | 4                | <b>153379</b> | <b>QSMX-4</b> | <b>10</b>        |
| 6                            | 3.3          | 10.5 | 3.2 | 15.5 | 6.5 | 31 | 13 | 5                | <b>153380</b> | <b>QSMX-6</b> | <b>10</b>        |

1) Packaging unit quantity

## Push-in Y-connector QSMY



| Dimensions and ordering data |              |             |      |     |      |      |      |      |      |                  |                 |                   |                  |
|------------------------------|--------------|-------------|------|-----|------|------|------|------|------|------------------|-----------------|-------------------|------------------|
| Tubing O.D.                  | Nominal size | Tubing O.D. | D5   | D6  | H1   | L1   | L2   | L3   | L4   | Weight/<br>piece | Part No.        | Type              | PU <sup>1)</sup> |
| D1                           | [mm]         | D2          | ∅    | ∅   |      |      |      |      |      | [g]              |                 |                   |                  |
| 2                            | 0.9          | 2           | 6    | 3.2 | 6.5  | 19.5 | 11.8 | 8.4  | 8.4  | 1.7              | <b>133037</b>   | <b>QSMY-2</b>     | <b>10</b>        |
| 3                            | 1.6          | 3           | 8    | 3.2 | 8    | 28.8 | 13.2 | 11.6 | 11.6 | 3.7              | ★ <b>153370</b> | <b>QSMY-3</b>     | <b>10</b>        |
| 4                            | 1.7          | 4           | 8    | 3.2 | 8    | 28.8 | 13.2 | 11.6 | 11.6 | 3.5              | ★ <b>153371</b> | <b>QSMY-4</b>     | <b>10</b>        |
|                              |              |             |      |     |      |      |      |      |      |                  | <b>130786</b>   | <b>QSMY-4-100</b> | <b>100</b>       |
| 6                            | 2.9          | 6           | 10.5 | 3.2 | 10.5 | 31.6 | 14.3 | 11.9 | 11.9 | 5.5              | ★ <b>153372</b> | <b>QSMY-6</b>     | <b>10</b>        |
|                              |              |             |      |     |      |      |      |      |      |                  | <b>130787</b>   | <b>QSMY-6-100</b> | <b>100</b>       |
| Reducing                     |              |             |      |     |      |      |      |      |      |                  |                 |                   |                  |
| 4                            | 1.6          | 3           | 8    | 3.2 | 8    | 28.8 | 13.2 | 11.6 | 11.6 | 3.6              | ★ <b>153373</b> | <b>QSMY-4-3</b>   | <b>10</b>        |
| 6                            | 2.3          | 4           | 10.5 | 3.2 | 10.5 | 31.5 | 14.2 | 11.6 | 11.9 | 5.3              | ★ <b>153374</b> | <b>QSMY-6-4</b>   | <b>10</b>        |

1) Packaging unit quantity

Festo core product range

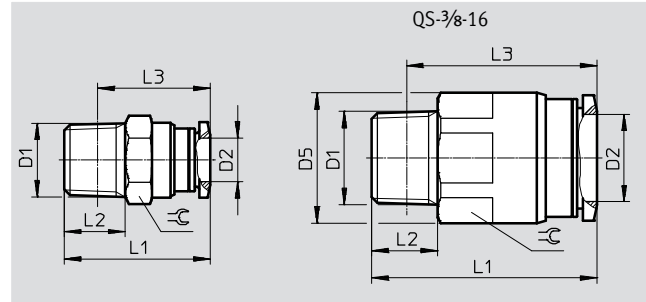
- ★ Ready for dispatch from the Festo factory in 24 hours
- ☆ Ready for dispatch in 5 days maximum from stock

# Push-in fittings QS, standard series

Technical data

## Push-in fitting QS

Male thread with external hex



| Dimensions and ordering data  |                               |             |    |      |      |      |      |                   |          |  |                                    |
|-------------------------------|-------------------------------|-------------|----|------|------|------|------|-------------------|----------|--|------------------------------------|
| Connection                    | Nominal size [mm]             | Tubing O.D. | D5 | L1   | L2   | L3   | ≅    | Weight/ piece [g] | Part No. | Type                                   | PU <sup>1)</sup>                   |
| D1                            | D2                            |             |    |      |      |      |      |                   |          |  |                                    |
| R thread                      |                               |             |    |      |      |      |      |                   |          |  |                                    |
| R <sup>1</sup> / <sub>8</sub> | 3                             | 4           | -  | 21   | 8    | 17   | 10   | 7.4               | ★ 153001 | QS- <sup>1</sup> / <sub>8</sub> -4     | 10                                 |
|                               |                               |             |    |      |      |      |      |                   | 130674   | QS- <sup>1</sup> / <sub>8</sub> -4-100 | 100                                |
|                               | 5                             | 6           | -  | 22.3 | 8    | 18.3 | 12   | 8.2               | ★ 153002 | QS- <sup>1</sup> / <sub>8</sub> -6     | 10                                 |
|                               |                               |             |    |      |      |      |      |                   | 130675   | QS- <sup>1</sup> / <sub>8</sub> -6-100 | 100                                |
| R <sup>1</sup> / <sub>8</sub> | 6                             | 8           | -  | 27.9 | 8    | 23.9 | 14   | 14                | ★ 153004 | QS- <sup>1</sup> / <sub>8</sub> -8     | 10                                 |
|                               |                               |             |    |      |      |      |      |                   | 130676   | QS- <sup>1</sup> / <sub>8</sub> -8-50  | 50                                 |
|                               | 6                             | 10          | -  | 30.3 | 8    | 26.3 | 17   | 21                | ★ 190643 | QS- <sup>1</sup> / <sub>8</sub> -10    | 10                                 |
|                               | R <sup>1</sup> / <sub>4</sub> | 3           | 4  | -    | 22.5 | 11   | 16.5 | 14                | 16       | ★ 190644                               | QS- <sup>1</sup> / <sub>4</sub> -4 |
| 5                             |                               | 6           | -  | 23.7 | 11   | 17.6 | 14   | 15                | ★ 153003 | QS- <sup>1</sup> / <sub>4</sub> -6     | 10                                 |
|                               |                               |             |    |      |      |      |      |                   | 130677   | QS- <sup>1</sup> / <sub>4</sub> -6-100 | 100                                |
| 7                             |                               | 8           | -  | 26.6 | 11   | 20.6 | 14   | 14                | ★ 153005 | QS- <sup>1</sup> / <sub>4</sub> -8     | 10                                 |
|                               |                               |             |    |      |      |      |      |                   | 130678   | QS- <sup>1</sup> / <sub>4</sub> -8-50  | 50                                 |
| 8.5                           |                               | 10          | -  | 29.8 | 11   | 23.8 | 17   | 19                | ★ 153007 | QS- <sup>1</sup> / <sub>4</sub> -10    | 10                                 |
| R <sup>3</sup> / <sub>8</sub> | 5                             | 6           | -  | 24.5 | 12   | 18.1 | 17   | 28                | ★ 190645 | QS- <sup>3</sup> / <sub>8</sub> -6     | 10                                 |
|                               | 7                             | 8           | -  | 25.5 | 12   | 19.2 | 17   | 25                | ★ 153006 | QS- <sup>3</sup> / <sub>8</sub> -8     | 10                                 |
|                               |                               |             |    |      |      |      |      |                   | 130681   | QS- <sup>3</sup> / <sub>8</sub> -8-50  | 50                                 |
|                               | 9                             | 10          | -  | 29.3 | 12   | 23   | 17   | 24                | ★ 153008 | QS- <sup>3</sup> / <sub>8</sub> -10    | 10                                 |
|                               |                               |             |    |      |      |      |      |                   | 130682   | QS- <sup>3</sup> / <sub>8</sub> -10-50 | 50                                 |
|                               | 11                            | 12          | -  | 31.9 | 12   | 25.6 | 21   | 30                | ★ 153009 | QS- <sup>3</sup> / <sub>8</sub> -12    | 10                                 |
| R <sup>1</sup> / <sub>2</sub> | 9                             | 10          | -  | 30.4 | 15   | 22.2 | 21   | 46                | ★ 153010 | QS- <sup>1</sup> / <sub>2</sub> -10    | 1                                  |
|                               |                               |             |    |      |      |      |      |                   | 133189   | QS- <sup>1</sup> / <sub>2</sub> -10-50 | 50                                 |
|                               | 11                            | 12          | -  | 33.9 | 15   | 25.7 | 21   | 44                | ★ 153010 | QS- <sup>1</sup> / <sub>2</sub> -12    | 1                                  |
|                               |                               |             |    |      |      |      |      |                   | 130684   | QS- <sup>1</sup> / <sub>2</sub> -12-20 | 20                                 |
|                               | 13                            | 16          | -  | 41.3 | 15   | 33.1 | 24   | 63                | ★ 153011 | QS- <sup>1</sup> / <sub>2</sub> -16    | 1                                  |
|                               |                               |             |    |      |      |      |      |                   | 130685   | QS- <sup>1</sup> / <sub>2</sub> -16-20 | 20                                 |

1) Packaging unit quantity

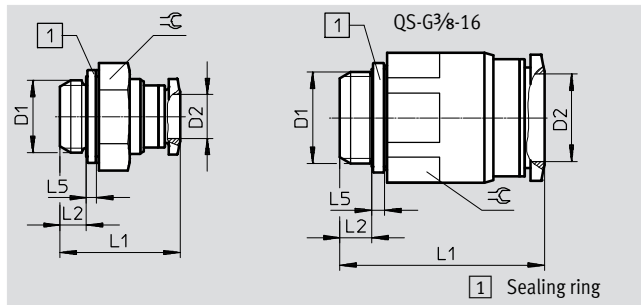
# Push-in fittings QS, standard series



Technical data

## Push-in fitting QS

Male thread with external hex



| Dimensions and ordering data  |              |             |      |     |     |    |               |          |   |                  |
|-------------------------------|--------------|-------------|------|-----|-----|----|---------------|----------|---|------------------|
| Connection                    | Nominal size | Tubing O.D. | L1   | L2  | L5  | ⌀  | Weight/ piece | Part No. | Type                                    | PU <sup>1)</sup> |
| D1                            | [mm]         | D2          |      |     |     |    | [g]           |          |   |                  |
| G thread with sealing ring    |              |             |      |     |     |    |               |          |   |                  |
| G <sup>1</sup> / <sub>8</sub> | 3            | 4           | 19.5 | 4.2 | 1.9 | 13 | 9.1           | ★ 186095 | QS-G <sup>1</sup> / <sub>8</sub> -4     | 10               |
|                               |              |             |      |     |     |    |               | 132036   | QS-G <sup>1</sup> / <sub>8</sub> -4-100 | 100              |
|                               | 5            | 6           | 20.6 | 4.2 | 1.9 | 13 | 8.3           | ★ 186096 | QS-G <sup>1</sup> / <sub>8</sub> -6     | 10               |
|                               |              |             |      |     |     |    |               | 132037   | QS-G <sup>1</sup> / <sub>8</sub> -6-100 | 100              |
|                               | 6            | 8           | 25.8 | 4.2 | 1.9 | 14 | 13            | ★ 186098 | QS-G <sup>1</sup> / <sub>8</sub> -8     | 10               |
|                               |              |             |      |     |     |    |               | 132038   | QS-G <sup>1</sup> / <sub>8</sub> -8-50  | 50               |
| G <sup>1</sup> / <sub>4</sub> | 5            | 6           | 21.2 | 4.8 | 1.9 | 17 | 17            | ★ 186097 | QS-G <sup>1</sup> / <sub>4</sub> -6     | 10               |
|                               |              |             |      |     |     |    |               | 132039   | QS-G <sup>1</sup> / <sub>4</sub> -6-100 | 100              |
|                               | 7            | 8           | 21.9 | 4.8 | 1.9 | 17 | 15            | ★ 186099 | QS-G <sup>1</sup> / <sub>4</sub> -8     | 10               |
|                               |              |             |      |     |     |    |               | 132040   | QS-G <sup>1</sup> / <sub>4</sub> -8-50  | 50               |
|                               | 8.5          | 10          | 28.9 | 4.8 | 1.9 | 17 | 21            | ★ 186101 | QS-G <sup>1</sup> / <sub>4</sub> -10    | 10               |
|                               |              |             |      |     |     |    |               | 132041   | QS-G <sup>1</sup> / <sub>4</sub> -10-50 | 50               |
|                               | 8.5          | 12          | 34.1 | 4.8 | 1.9 | 21 | 39            | ★ 186350 | QS-G <sup>1</sup> / <sub>4</sub> -12    | 10               |
|                               |              |             |      |     |     |    |               | 132042   | QS-G <sup>1</sup> / <sub>4</sub> -12-20 | 20               |
| G <sup>3</sup> / <sub>8</sub> | 7            | 8           | 21.7 | 5.8 | 2.4 | 19 | 22            | ★ 186100 | QS-G <sup>3</sup> / <sub>8</sub> -8     | 10               |
|                               |              |             |      |     |     |    |               | 132043   | QS-G <sup>3</sup> / <sub>8</sub> -8-50  | 50               |
|                               | 9            | 10          | 25.4 | 5.8 | 2.4 | 19 | 22            | ★ 186102 | QS-G <sup>3</sup> / <sub>8</sub> -10    | 10               |
|                               |              |             |      |     |     |    |               | 132044   | QS-G <sup>3</sup> / <sub>8</sub> -10-50 | 50               |
|                               | 11           | 12          | 31.5 | 5.8 | 2.4 | 21 | 33            | ★ 186103 | QS-G <sup>3</sup> / <sub>8</sub> -12    | 10               |
|                               |              |             |      |     |     |    |               | 132045   | QS-G <sup>3</sup> / <sub>8</sub> -12-20 | 20               |
|                               | 11           | 16          | 37.3 | 5.8 | 2.4 | 22 | 45            | ★ 186347 | QS-G <sup>3</sup> / <sub>8</sub> -16    | 1                |
| G <sup>1</sup> / <sub>2</sub> | 11           | 12          | 28   | 6.8 | 2.4 | 24 | 39            | ★ 186104 | QS-G <sup>1</sup> / <sub>2</sub> -12    | 1                |
|                               |              |             |      |     |     |    |               | 132046   | QS-G <sup>1</sup> / <sub>2</sub> -12-20 | 20               |
|                               | 13           | 16          | 35.3 | 6.8 | 2.4 | 24 | 51            | ★ 186105 | QS-G <sup>1</sup> / <sub>2</sub> -16    | 1                |
|                               |              |             |      |     |     |    |               | 132047   | QS-G <sup>1</sup> / <sub>2</sub> -16-20 | 20               |

1) Packaging unit quantity

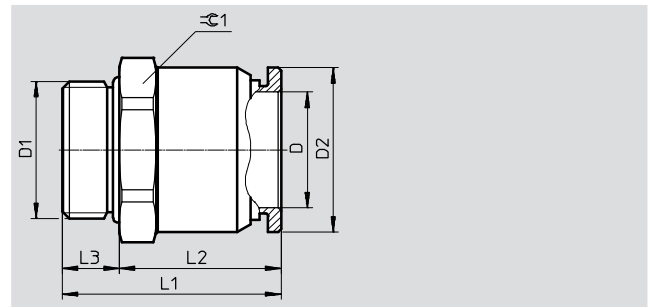
Festo core product range

- ★ Ready for dispatch from the Festo factory in 24 hours
- ☆ Ready for dispatch in 5 days maximum from stock

# Push-in fittings QS, standard series

Technical data

**Push-in fitting QS-G $\frac{3}{4}$ -22**  
Male thread with external hex



| Dimensions and ordering data |                   |             |                  |      |      |    |                         |                   |                |  |                  |
|------------------------------|-------------------|-------------|------------------|------|------|----|-------------------------|-------------------|----------------|--|------------------|
| Connection                   | Nominal size [mm] | Tubing O.D. | D2 $\varnothing$ | L1   | L2   | L3 | $\approx \varnothing 1$ | Weight/ piece [g] | Part No.       | Type                                   | PU <sup>1)</sup> |
| G thread with sealing ring   |                   |             |                  |      |      |    |                         |                   |                |  |                  |
| G $\frac{3}{4}$              | 20                | 22          | 31.6             | 42.1 | 31.1 | 11 | 32                      | 93.2              | <b>8040613</b> | <b>QS-G<math>\frac{3}{4}</math>-22</b> | <b>1</b>         |

1) Packaging unit quantity

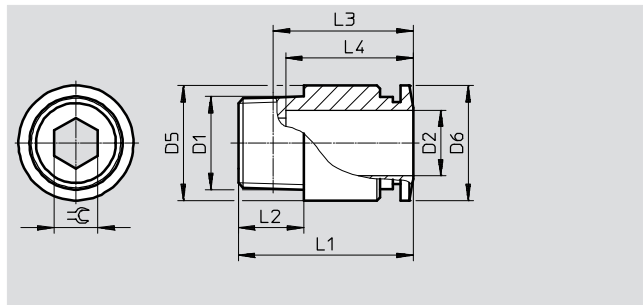
# Push-in fittings QS, standard series

Technical data

**Push-in fitting QS-...-I**  
Male thread with internal hex



R thread



| Dimensions and ordering data  |              |             |      |      |      |    |      |      |    |     |               |          |  |                  |
|-------------------------------|--------------|-------------|------|------|------|----|------|------|----|-----|---------------|----------|--|------------------|
| Connection                    | Nominal size | Tubing O.D. | D5   | D6   | L1   | L2 | L3   | L4   | L5 | ≅   | Weight/ piece | Part No. | Type                                     | PU <sup>1)</sup> |
| D1                            | [mm]         | D2          | ∅    | ∅    |      |    |      |      |    |     | [g]           |          |  |                  |
| <b>R thread</b>               |              |             |      |      |      |    |      |      |    |     |               |          |  |                  |
| R <sup>1</sup> / <sub>8</sub> | 2.6          | 4           | 9.7  | 9.9  | 20   | 8  | 16   | 14.9 | -  | 2.5 | 6.6           | ★ 153012 | QS- <sup>1</sup> / <sub>8</sub> -4-I     | 10               |
|                               |              |             |      |      |      |    |      |      |    |     |               | 133191   | QS- <sup>1</sup> / <sub>8</sub> -4-I-100 | 100              |
|                               | 4.2          | 6           | 11.8 | 11.8 | 22.1 | 8  | 18.1 | 17   | -  | 4   | 7.6           | ★ 153013 | QS- <sup>1</sup> / <sub>8</sub> -6-I     | 10               |
|                               |              |             |      |      |      |    |      |      |    |     |               | 133186   | QS- <sup>1</sup> / <sub>8</sub> -6-I-100 | 100              |
|                               | 5.3          | 8           | 13.7 | 13.8 | 25.9 | 8  | 21.9 | 18.2 | -  | 5   | 8.8           | ★ 153015 | QS- <sup>1</sup> / <sub>8</sub> -8-I     | 10               |
|                               |              |             |      |      |      |    |      |      |    |     |               | 133187   | QS- <sup>1</sup> / <sub>8</sub> -8-I-50  | 50               |
| R <sup>1</sup> / <sub>4</sub> | 5.3          | 10          | 17.5 | 16.8 | 30.3 | 8  | 26.3 | 20.7 | -  | 5   | 17            | ★ 190647 | QS- <sup>1</sup> / <sub>8</sub> -10-I    | 10               |
|                               | 4.2          | 6           | 13.7 | 11.8 | 21.3 | 11 | 15.2 | 17   | -  | 4   | 13            | ★ 153014 | QS- <sup>1</sup> / <sub>4</sub> -6-I     | 10               |
|                               |              |             |      |      |      |    |      |      |    |     |               | 133193   | QS- <sup>1</sup> / <sub>4</sub> -6-I-100 | 100              |
|                               | 6.3          | 8           | 13.7 | 13.8 | 25.1 | 11 | 19.1 | 18.2 | -  | 6   | 13            | ★ 153016 | QS- <sup>1</sup> / <sub>4</sub> -8-I     | 10               |
|                               |              |             |      |      |      |    |      |      |    |     |               | 133190   | QS- <sup>1</sup> / <sub>4</sub> -8-I-50  | 50               |
|                               | 6.3          | 10          | 17.5 | 16.8 | 29.8 | 11 | 23.8 | 20.7 | -  | 6   | 20            | ★ 153018 | QS- <sup>1</sup> / <sub>4</sub> -10-I    | 10               |
|                               |              |             |      |      |      |    |      |      |    |     |               | 133188   | QS- <sup>1</sup> / <sub>4</sub> -10-I-50 | 50               |
|                               | 6.3          | 12          | 20.8 | 19.8 | 35.9 | 11 | 29.9 | 23.3 | -  | 6   | 29            | ★ 190649 | QS- <sup>1</sup> / <sub>4</sub> -12-I    | 10               |
| R <sup>3</sup> / <sub>8</sub> | 6.3          | 8           | 16.8 | 13.8 | 22.2 | 12 | 15.9 | 18.2 | -  | 6   | 19            | ★ 153017 | QS- <sup>3</sup> / <sub>8</sub> -8-I     | 10               |
|                               |              |             |      |      |      |    |      |      |    |     |               | ★ 153019 | QS- <sup>3</sup> / <sub>8</sub> -10-I    | 10               |
|                               | 8.4          | 12          | 20.8 | 19.8 | 31.9 | 12 | 25.6 | 23.3 | -  | 8   | 31            | ★ 153020 | QS- <sup>3</sup> / <sub>8</sub> -12-I    | 10               |
| R <sup>1</sup> / <sub>2</sub> | 6.3          | 10          | 20.8 | 16.8 | 30.3 | 15 | 22.1 | 20.7 | -  | 6   | 45            | ★ 190648 | QS- <sup>1</sup> / <sub>2</sub> -10-I    | 1                |
|                               |              |             |      |      |      |    |      |      |    |     |               | ★ 153021 | QS- <sup>1</sup> / <sub>2</sub> -12-I    | 1                |

1) Packaging unit quantity

Festo core product range

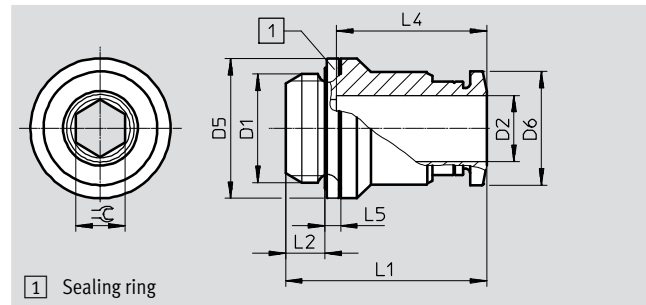
- ★ Ready for dispatch from the Festo factory in 24 hours
- ☆ Ready for dispatch in 5 days maximum from stock

# Push-in fittings QS, standard series

Technical data

## Push-in fitting QS-...-I

Male thread with internal hex



| Dimensions and ordering data  |                   |                |      |      |      |     |    |      |     |     |                   |          |  |                  |
|-------------------------------|-------------------|----------------|------|------|------|-----|----|------|-----|-----|-------------------|----------|--|------------------|
| Connection                    | Nominal size [mm] | Tubing O.D. D2 | D5 Ø | D6 Ø | L1   | L2  | L3 | L4   | L5  | ≅   | Weight/ piece [g] | Part No. | Type                                       | PU <sup>1)</sup> |
| G thread with sealing ring    |                   |                |      |      |      |     |    |      |     |     |                   |          |  |                  |
| G <sup>1</sup> / <sub>8</sub> | 2.6               | 4              | 13   | 9.9  | 19.5 | 4.2 | -  | 14.9 | 1.9 | 2.5 | 7.7               | ★ 186106 | QS-G <sup>1</sup> / <sub>8</sub> -4-I      | 10               |
|                               |                   |                |      |      |      |     |    |      |     |     |                   | 133008   | QS-G <sup>1</sup> / <sub>8</sub> -4-I-100  | 100              |
|                               | 4.2               | 6              | 13   | 11.8 | 21.6 | 4.2 | -  | 17   | 1.9 | 4   | 8.3               | ★ 186107 | QS-G <sup>1</sup> / <sub>8</sub> -6-I      | 10               |
|                               |                   |                |      |      |      |     |    |      |     |     |                   | 133009   | QS-G <sup>1</sup> / <sub>8</sub> -6-I-100  | 100              |
|                               | 5.3               | 8              | 13.7 | 13.8 | 25.8 | 4.2 | -  | 18.2 | 1.9 | 5   | 12                | ★ 186109 | QS-G <sup>1</sup> / <sub>8</sub> -8-I      | 10               |
|                               |                   |                |      |      |      |     |    |      |     |     |                   | 133010   | QS-G <sup>1</sup> / <sub>8</sub> -8-I-100  | 100              |
| G <sup>1</sup> / <sub>4</sub> | 5.3               | 10             | 17   | 16.8 | 28.3 | 4.2 | -  | 20.7 | 1.9 | 5   | 19                | ★ 132999 | QS-G <sup>1</sup> / <sub>8</sub> -10-I     | 10               |
|                               |                   |                |      |      |      |     |    |      |     |     |                   | 133000   | QS-G <sup>1</sup> / <sub>8</sub> -10-I-100 | 100              |
|                               | 4.2               | 6              | 17   | 11.8 | 20.2 | 4.8 | -  | 17   | 1.9 | 4   | 13                | ★ 186108 | QS-G <sup>1</sup> / <sub>4</sub> -6-I      | 10               |
| G <sup>3</sup> / <sub>8</sub> | 6.3               | 8              | 17   | 13.8 | 24.4 | 4.8 | -  | 18.2 | 1.9 | 6   | 14                | ★ 186110 | QS-G <sup>1</sup> / <sub>4</sub> -8-I      | 10               |
|                               | 7.3               | 10             | 17   | 16.8 | 28.9 | 4.8 | -  | 20.7 | 1.9 | 7   | 20                | ★ 186112 | QS-G <sup>1</sup> / <sub>4</sub> -10-I     | 10               |
|                               | 6.3               | 8              | 19   | 13.8 | 23.9 | 5.8 | -  | 18.2 | 2.4 | 6   | 20                | ★ 186111 | QS-G <sup>3</sup> / <sub>8</sub> -8-I      | 10               |
| G <sup>3</sup> / <sub>8</sub> | 7.3               | 10             | 19   | 16.8 | 26.4 | 5.8 | -  | 20.7 | 2.4 | 7   | 22                | ★ 186113 | QS-G <sup>3</sup> / <sub>8</sub> -10-I     | 10               |
|                               | 8.4               | 12             | 20.8 | 19.8 | 31.5 | 5.8 | -  | 23.3 | 2.4 | 8   | 34                | ★ 186114 | QS-G <sup>3</sup> / <sub>8</sub> -12-I     | 10               |
| G <sup>1</sup> / <sub>2</sub> | 8.4               | 12             | 24   | 19.8 | 28   | 6.8 | -  | 23.3 | 2.4 | 8   | 33                | ★ 186115 | QS-G <sup>1</sup> / <sub>2</sub> -12-I     | 1                |

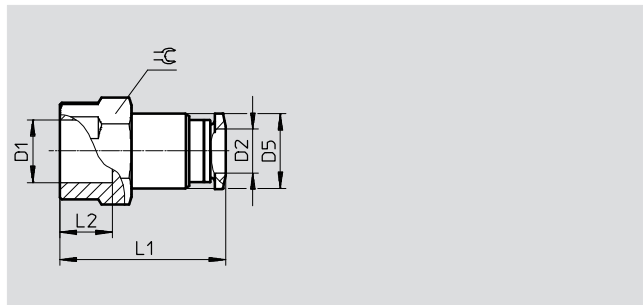
1) Packaging unit quantity

# Push-in fittings QS, standard series

Technical data

## Push-in fitting QSF

Female thread with external hex



| Dimensions and ordering data  |                   |                |      |      |     |    |                  |   |   |                  |
|-------------------------------|-------------------|----------------|------|------|-----|----|------------------|---|---|------------------|
| Connection                    | Nominal size [mm] | Tubing O.D. D2 | D5 Ø | L1   | L2  | ⌀  | Weight/piece [g] | Part No.                                  | Type                                      | PU <sup>1)</sup> |
| G thread                      |                   |                |      |      |     |    |                  |   |   |                  |
| G <sup>1</sup> / <sub>8</sub> | 3                 | 4              | 9.7  | 23.9 | 7   | 14 | 13               | ★ 153022                                  | QSF- <sup>1</sup> / <sub>8</sub> -4-B     | 10               |
|                               |                   |                |      |      |     |    |                  | 130709                                    | QSF- <sup>1</sup> / <sub>8</sub> -4-B-100 | 100              |
|                               | 5                 | 6              | 11.8 | 26   | 7   | 14 | 15               | ★ 153023                                  | QSF- <sup>1</sup> / <sub>8</sub> -6-B     | 10               |
|                               |                   |                |      |      |     |    |                  | 130710                                    | QSF- <sup>1</sup> / <sub>8</sub> -6-B-100 | 100              |
|                               | 7                 | 8              | 13.7 | 27.2 | 7   | 14 | 16               | ★ 153025                                  | QSF- <sup>1</sup> / <sub>8</sub> -8-B     | 10               |
|                               |                   |                |      |      |     |    |                  | 130711                                    | QSF- <sup>1</sup> / <sub>8</sub> -8-B-50  | 50               |
| G <sup>1</sup> / <sub>4</sub> | 3                 | 4              | 9.7  | 26.9 | 9.5 | 17 | 21               | ★ 190650                                  | QSF- <sup>1</sup> / <sub>4</sub> -4-B     | 10               |
|                               |                   |                |      |      |     |    |                  | ★ 153024                                  | QSF- <sup>1</sup> / <sub>4</sub> -6-B     | 10               |
|                               | 5                 | 6              | 11.8 | 29   | 9.5 | 17 | 23               | 130712                                    | QSF- <sup>1</sup> / <sub>4</sub> -6-B-100 | 100              |
|                               |                   |                |      |      |     |    |                  | ★ 153026                                  | QSF- <sup>1</sup> / <sub>4</sub> -8-B     | 10               |
|                               | 7                 | 8              | 13.7 | 30.2 | 9.5 | 17 | 24               | 130713                                    | QSF- <sup>1</sup> / <sub>4</sub> -8-B-50  | 50               |
|                               |                   |                |      |      |     |    |                  | ★ 153028                                  | QSF- <sup>1</sup> / <sub>4</sub> -10-B    | 10               |
| 9                             | 10                | 17.5           | 32.7 | 9.5  | 17  | 30 | 130714           | QSF- <sup>1</sup> / <sub>4</sub> -10-B-50 | 50  |                  |
|                               |                   |                |      |      |     |    | ★ 190651         | QSF- <sup>1</sup> / <sub>4</sub> -12-B    | 10  |                  |
| G <sup>3</sup> / <sub>8</sub> | 5                 | 6              | 11.8 | 30.5 | 11  | 21 | 30               | ★ 190652                                  | QSF- <sup>3</sup> / <sub>8</sub> -6-B     | 10               |
|                               |                   |                |      |      |     |    |                  | ★ 153027                                  | QSF- <sup>3</sup> / <sub>8</sub> -8-B     | 10               |
|                               | 7                 | 8              | 13.7 | 31.7 | 11  | 21 | 32               | 130715                                    | QSF- <sup>3</sup> / <sub>8</sub> -8-B-50  | 50               |
|                               |                   |                |      |      |     |    |                  | ★ 153029                                  | QSF- <sup>3</sup> / <sub>8</sub> -10-B    | 10               |
|                               | 9                 | 10             | 17.5 | 34.2 | 11  | 21 | 38               | 130716                                    | QSF- <sup>3</sup> / <sub>8</sub> -10-B-50 | 50               |
|                               |                   |                |      |      |     |    |                  | ★ 153030                                  | QSF- <sup>3</sup> / <sub>8</sub> -12-B    | 10               |
| 11                            | 12                | 20.8           | 36.8 | 11   | 21  | 46 | 130717           | QSF- <sup>3</sup> / <sub>8</sub> -12-B-20 | 20  |                  |
|                               |                   |                |      |      |     |    | ★ 190653         | QSF- <sup>1</sup> / <sub>2</sub> -12-B    | 1   |                  |
| G <sup>1</sup> / <sub>2</sub> | 11                | 12             | 20.8 | 40.1 | 14  | 24 | 56               | ★ 190653                                  | QSF- <sup>1</sup> / <sub>2</sub> -12-B    | 1                |
|                               | 15                | 16             | 25   | 41.6 | 14  | 25 | 69               | ★ 190654                                  | QSF- <sup>1</sup> / <sub>2</sub> -16-B    | 1                |

1) Packaging unit quantity

Festo core product range

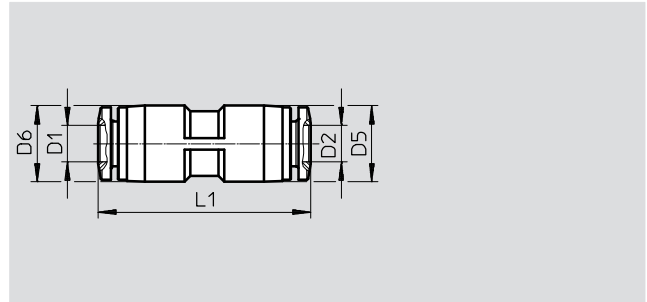
- ★ Ready for dispatch from the Festo factory in 24 hours
- ☆ Ready for dispatch in 5 days maximum from stock

# Push-in fittings QS, standard series

Technical data

FESTO

## Push-in connector QS



| Dimensions and ordering data |                      |                   |         |      |      |                         |          |            |                  |
|------------------------------|----------------------|-------------------|---------|------|------|-------------------------|----------|------------|------------------|
| Tubing O.D.<br>D1            | Nominal size<br>[mm] | Tubing O.D.<br>D2 | D5<br>∅ | D6   | L1   | Weight/<br>piece<br>[g] | Part No. | Type       | PU <sup>1)</sup> |
| 4                            | 2.6                  | 4                 | 10      | -    | 30.8 | 5                       | ★ 153031 | QS-4       | 10               |
|                              |                      |                   |         |      |      |                         | 130686   | QS-4-100   | 100              |
| 6                            | 4                    | 6                 | 12.5    | -    | 34.9 | 6.5                     | ★ 153032 | QS-6       | 10               |
|                              |                      |                   |         |      |      |                         | 130687   | QS-6-100   | 100              |
| 8                            | 5                    | 8                 | 14.5    | -    | 37.8 | 9.5                     | ★ 153033 | QS-8       | 10               |
|                              |                      |                   |         |      |      |                         | 130688   | QS-8-50    | 50               |
| 10                           | 6.7                  | 10                | 17.5    | -    | 41.4 | 16                      | ★ 153034 | QS-10      | 10               |
|                              |                      |                   |         |      |      |                         | 130689   | QS-10-50   | 50               |
| 12                           | 8.7                  | 12                | 21      | -    | 47.8 | 22                      | ★ 153035 | QS-12      | 10               |
|                              |                      |                   |         |      |      |                         | 130690   | QS-12-20   | 20               |
| 16                           | 13.7                 | 16                | 25      | -    | 50   | 25                      | ★ 153036 | QS-16      | 1                |
|                              |                      |                   |         |      |      |                         | 133195   | QS-16-20   | 20               |
| Reducing                     |                      |                   |         |      |      |                         |          |            |                  |
| 6                            | 2.6                  | 4                 | 12.5    | 12.5 | 34.4 | 6.4                     | ★ 153037 | QS-6-4     | 10               |
|                              |                      |                   |         |      |      |                         | 130691   | QS-6-4-100 | 100              |
| 8                            | 2.3                  | 4                 | 10.7    | 14.5 | 36.6 | 7.2                     | ★ 130606 | QS-8-4     | 10               |
|                              |                      |                   |         |      |      |                         | ★ 153038 | QS-8-6     | 10               |
|                              |                      |                   |         |      |      |                         |          | 130692     | QS-8-6-50        |
| 10                           | 3.7                  | 6                 | 13      | 17.5 | 39.8 | 12                      | ★ 130607 | QS-10-6    | 10               |
|                              |                      |                   |         |      |      |                         | ★ 153039 | QS-10-8    | 10               |
|                              |                      |                   |         |      |      |                         |          | 130693     | QS-10-8-50       |
| 12                           | 5.2                  | 8                 | 14.5    | 21   | 44   | 16                      | ★ 130608 | QS-12-8    | 10               |
|                              |                      |                   |         |      |      |                         | ★ 153040 | QS-12-10   | 10               |
|                              |                      |                   |         |      |      |                         |          | 130694     | QS-12-10-20      |

1) Packaging unit quantity

Festo core product range

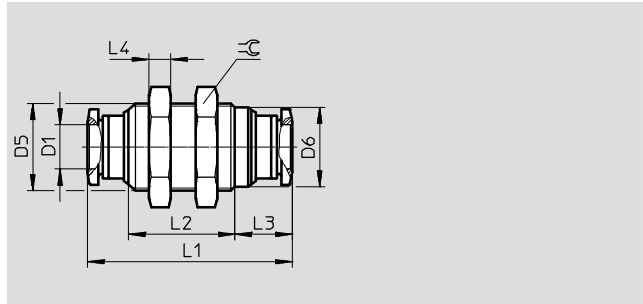
- ★ Ready for dispatch from the Festo factory in 24 hours
- ☆ Ready for dispatch in 5 days maximum from stock

# Push-in fittings QS, standard series

Technical data

FESTO

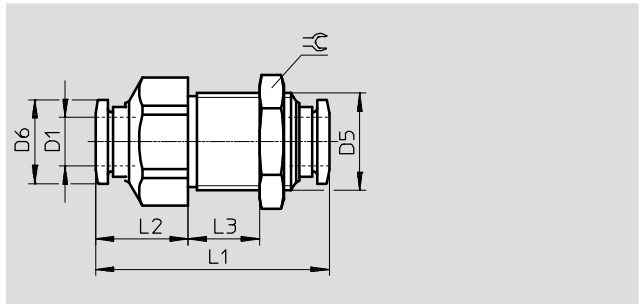
## Push-in bulkhead connector QSS



## Push-in bulkhead connector

QSS-...-F

with fixed collar



| Dimensions and ordering data |              |       |      |      |      |      |    |    |                  |          |           |                  |
|------------------------------|--------------|-------|------|------|------|------|----|----|------------------|----------|-----------|------------------|
| Tube O.D.                    | Nominal size | D5    | D6   | L1   | L2   | L3   | L4 | ±C | Weight/<br>piece | Part No. | Type      | PU <sup>1)</sup> |
| D1                           | [mm]         |       | ∅    |      |      |      |    |    | [g]              |          |           |                  |
| 4                            | 3            | M12x1 | 10.8 | 30.8 | 14.8 | 9.5  | 4  | 14 | 11               | ★ 153157 | QSS-4     | 10               |
|                              |              |       |      |      |      |      |    |    |                  | 130788   | QSS-4-100 | 100              |
| 6                            | 5            | M14x1 | 12.5 | 34.9 | 19   | 9.5  | 4  | 17 | 16               | ★ 153158 | QSS-6     | 10               |
|                              |              |       |      |      |      |      |    |    |                  | 130789   | QSS-6-100 | 100              |
| 8                            | 7            | M16x1 | 14.6 | 37.4 | 19.4 | 10.5 | 4  | 19 | 19               | ★ 153159 | QSS-8     | 10               |
|                              |              |       |      |      |      |      |    |    |                  | 130790   | QSS-8-50  | 50               |
| 10                           | 9            | M20x1 | 18.5 | 42.4 | 21.6 | 11.9 | 5  | 24 | 35               | ★ 153160 | QSS-10    | 10               |
|                              |              |       |      |      |      |      |    |    |                  | 130791   | QSS-10-50 | 50               |
| 12                           | 11           | M22x1 | 20.4 | 47.6 | 24.2 | 13.2 | 6  | 27 | 52               | ★ 153161 | QSS-12    | 10               |
|                              |              |       |      |      |      |      |    |    |                  | 130792   | QSS-12-20 | 20               |
| With fixed collar            |              |       |      |      |      |      |    |    |                  |          |           |                  |
| 4                            | 2.6          | M12x1 | 9.9  | 33   | 13   | 10   | -  | 14 | -                | 193950   | QSS-4-F   | 10               |
| 6                            | 4.0          | M14x1 | 11.8 | 34.9 | 14.4 | 10   | -  | 17 | -                | 193951   | QSS-6-F   | 10               |
| 8                            | 5.5          | M16x1 | 13.8 | 38.4 | 15.2 | 13   | -  | 19 | 40               | ★ 130642 | QSS-8-F   | 10               |
| 10                           | 6.5          | M20x1 | 16.8 | 47.1 | 20.3 | 15   | -  | 24 | 86               | ★ 130643 | QSS-10-F  | 10               |
| 12                           | 7.5          | M22x1 | 19.8 | 48.5 | 18.9 | 17.5 | -  | 27 | 105              | ★ 130644 | QSS-12-F  | 10               |

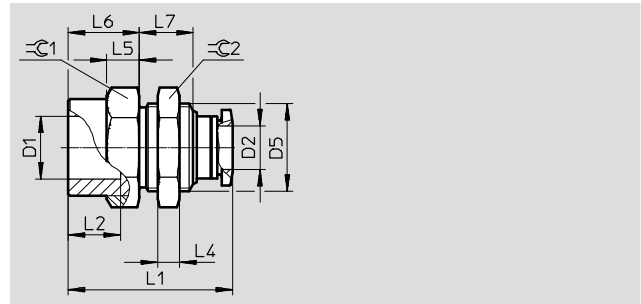
1) Packaging unit quantity

Festo core product range  
 ★ Ready for dispatch from the Festo factory in 24 hours  
 ☆ Ready for dispatch in 5 days maximum from stock

# Push-in fittings QS, standard series

Technical data

Push-in bulkhead connector QSSF  
with female thread



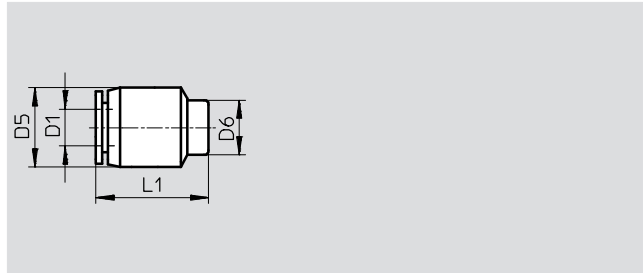
| Dimensions and ordering data  |                   |                |         |      |     |    |     |      |      |     |     |                   |          |   |                  |
|-------------------------------|-------------------|----------------|---------|------|-----|----|-----|------|------|-----|-----|-------------------|----------|---|------------------|
| Connection                    | Nominal size [mm] | Tubing O.D. D2 | D5 Ø    | L1   | L2  | L4 | L5  | L6   | L7   | ⊖ 1 | ⊖ 2 | Weight/ piece [g] | Part No. | Type                                    | PU <sup>1)</sup> |
| G <sup>1</sup> / <sub>8</sub> | 3                 | 4              | M12x1   | 24.2 | 7   | 4  | 5   | 9    | 9    | 14  | 14  | 17                | 153162   | QSSF- <sup>1</sup> / <sub>8</sub> -4-B  | 10               |
|                               | 5                 | 6              | M14x1   | 26.4 | 7   | 4  | 6   | 10   | 10.2 | 17  | 17  | 25                | 153163   | QSSF- <sup>1</sup> / <sub>8</sub> -6-B  | 10               |
|                               | 7                 | 8              | M16x1   | 27   | 7   | 4  | 6   | 10   | 9.8  | 19  | 19  | 30                | 153165   | QSSF- <sup>1</sup> / <sub>8</sub> -8-B  | 10               |
| G <sup>1</sup> / <sub>4</sub> | 3                 | 4              | M12x1   | 27.5 | 9.5 | 4  | 6   | 12.3 | 9    | 17  | 14  | 24                | 190655   | QSSF- <sup>1</sup> / <sub>4</sub> -4-B  | 10               |
|                               | 5                 | 6              | M14x1   | 28.7 | 9.5 | 4  | 6   | 12.3 | 10.2 | 17  | 17  | 27                | 153164   | QSSF- <sup>1</sup> / <sub>4</sub> -6-B  | 10               |
|                               | 7                 | 8              | M16x1   | 30   | 9.5 | 4  | 6   | 13   | 9.8  | 19  | 19  | 34                | 153166   | QSSF- <sup>1</sup> / <sub>4</sub> -8-B  | 10               |
|                               | 9                 | 10             | M20x1   | 32.7 | 9.5 | 5  | 7   | 13   | 11.1 | 24  | 24  | 57                | 153168   | QSSF- <sup>1</sup> / <sub>4</sub> -10-B | 10               |
| G <sup>3</sup> / <sub>8</sub> | 5                 | 6              | M14x1   | 30.9 | 11  | 4  | 6.5 | 14.5 | 10.2 | 21  | 17  | 36                | 190656   | QSSF- <sup>3</sup> / <sub>8</sub> -6-B  | 10               |
|                               | 7                 | 8              | M16x1   | 31.5 | 11  | 4  | 6.5 | 14.5 | 9.8  | 21  | 19  | 38                | 153167   | QSSF- <sup>3</sup> / <sub>8</sub> -8-B  | 10               |
|                               | 9                 | 10             | M20x1   | 34.2 | 11  | 5  | 7   | 14.5 | 11.1 | 24  | 24  | 57                | 153169   | QSSF- <sup>3</sup> / <sub>8</sub> -10-B | 10               |
|                               | 11                | 12             | M22x1   | 36.8 | 11  | 6  | 7   | 14.5 | 12.4 | 24  | 27  | 66                | 153170   | QSSF- <sup>3</sup> / <sub>8</sub> -12-B | 10               |
| G <sup>1</sup> / <sub>2</sub> | 11                | 12             | M22x1   | 40.1 | 14  | 6  | 7   | 17.8 | 12.4 | 24  | 27  | 70                | 153171   | QSSF- <sup>1</sup> / <sub>2</sub> -12-B | 1                |
|                               | 15                | 16             | M27x1.5 | 42.6 | 14  | 9  | 8.5 | 17.3 | 15.4 | 29  | 32  | 116               | 190657   | QSSF- <sup>1</sup> / <sub>2</sub> -16-B | 1                |

1) Packaging unit quantity

# Push-in fittings QS, standard series

Technical data

## Push-in cap QSC



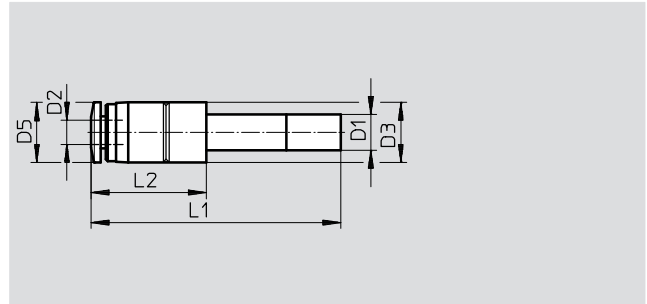
| Dimensions and ordering data |         |         |      |                         |          |           |                  |
|------------------------------|---------|---------|------|-------------------------|----------|-----------|------------------|
| Tubing O.D.                  | D5<br>Ø | D6<br>Ø | L1   | Weight/<br>piece<br>[g] | Part No. | Type      | PU <sup>1)</sup> |
| D1                           |         |         |      |                         |          |           |                  |
| 4                            | 10      | 7       | 16.5 | 2.5                     | ★ 153262 | QSC-4     | 10               |
|                              |         |         |      |                         | 130704   | QSC-4-100 | 100              |
| 6                            | 13      | 9       | 18.5 | 3.5                     | ★ 153263 | QSC-6     | 10               |
|                              |         |         |      |                         | 130705   | QSC-6-100 | 100              |
| 8                            | 15      | 11      | 20   | 5                       | ★ 153264 | QSC-8     | 10               |
|                              |         |         |      |                         | 130706   | QSC-8-50  | 50               |
| 10                           | 18      | 13      | 22.5 | 8                       | ★ 153265 | QSC-10    | 10               |
|                              |         |         |      |                         | 130707   | QSC-10-50 | 50               |
| 12                           | 21.5    | 16      | 23   | 11.5                    | ★ 153266 | QSC-12    | 10               |
|                              |         |         |      |                         | 130708   | QSC-12-20 | 20               |

1) Packaging unit quantity

# Push-in fittings QS, standard series

Technical data

Push-in connector QS-...H  
with push-in sleeve



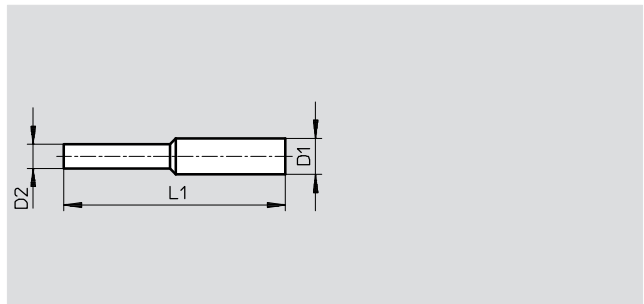
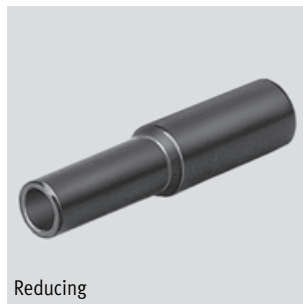
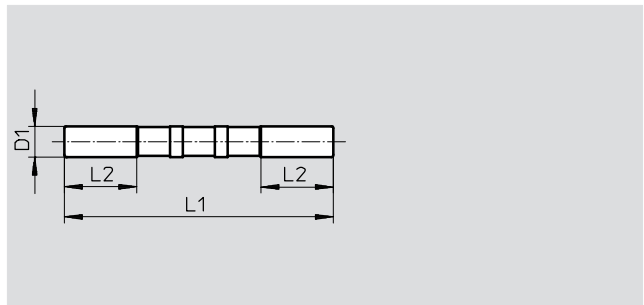
| Dimensions and ordering data |                   |                |      |      |      |      |                   |          |              |                  |
|------------------------------|-------------------|----------------|------|------|------|------|-------------------|----------|--------------|------------------|
| Push-in sleeve Ø D1          | Nominal size [mm] | Tubing O.D. D2 | D3 Ø | D5 Ø | L1   | L2   | Weight/ piece [g] | Part No. | Type         | PU <sup>1)</sup> |
| 6                            | 2.5               | 4              | 10   | 9.9  | 37.7 | 15.2 | 2.9               | ★ 153041 | QS-6H-4      | 10               |
|                              |                   |                |      |      |      |      |                   | 130695   | QS-6H-4-100  | 100              |
| 8                            | 2.4               | 4              | 12.5 | 9.9  | 40.2 | 16.7 | 3.8               | ★ 130622 | QS-8H-4      | 10               |
| 8                            | 3.8               | 6              | 12.5 | 11.8 | 40.8 | 17.3 | 4                 | ★ 153042 | QS-8H-6      | 10               |
|                              |                   |                |      |      |      |      |                   | 130696   | QS-8H-6-50   | 50               |
| 10                           | 3.8               | 6              | 12.5 | 11.8 | 43.8 | 18.8 | 4.5               | ★ 130623 | QS-10H-6     | 10               |
| 10                           | 5.4               | 8              | 14.5 | 13.8 | 43.7 | 18.7 | 5.8               | ★ 153043 | QS-10H-8     | 10               |
|                              |                   |                |      |      |      |      |                   | 130697   | QS-10H-8-50  | 50               |
| 12                           | 3.8               | 6              | 14.5 | 11.8 | 48.8 | 19.8 | 6.0               | ★ 132981 | QS-12H-6     | 10               |
| 12                           | 5.4               | 8              | 14.5 | 13.8 | 49.7 | 20.7 | 6.7               | ★ 130624 | QS-12H-8     | 10               |
|                              |                   |                |      |      |      |      |                   | ★ 153044 | QS-12H-10    | 10               |
| 12                           | 6.3               | 10             | 17.5 | 16.8 | 50   | 21   | 9.6               | 130698   | QS-12H-10-20 | 20               |

1) Packaging unit quantity

# Push-in fittings QS, standard series

Technical data

## Push-in sleeve QSH



Reducing

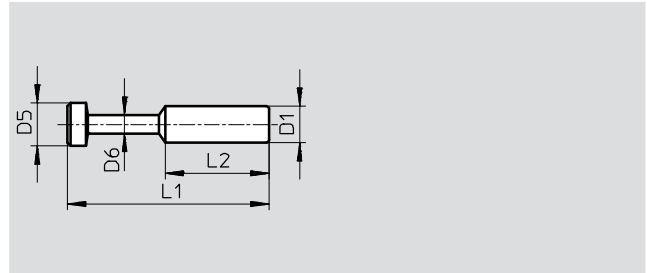
| Dimensions and ordering data |                   |                     |      |      |                   |          |              |                  |   |     |        |              |    |
|------------------------------|-------------------|---------------------|------|------|-------------------|----------|--------------|------------------|---|-----|--------|--------------|----|
| Push-in sleeve Ø D1          | Nominal size [mm] | Push-in sleeve Ø D2 | L1   | L2   | Weight/ piece [g] | Part No. | Type         | PU <sup>1)</sup> |   |     |        |              |    |
| 4                            | 2.5               | -                   | 34.8 | 11.3 | 0.5               | 153251   | QSH-4        | 10               |   |     |        |              |    |
|                              |                   |                     |      |      |                   | 130723   | QSH-4-100    | 100              |   |     |        |              |    |
| 6                            | 4                 | -                   | 38.2 | 11.3 | 0.5               | 153252   | QSH-6        | 10               |   |     |        |              |    |
|                              |                   |                     |      |      |                   | 130724   | QSH-6-100    | 100              |   |     |        |              |    |
| 8                            | 6                 | -                   | 41.4 | 12.1 | 1                 | 153253   | QSH-8        | 10               |   |     |        |              |    |
|                              |                   |                     |      |      |                   | 130725   | QSH-8-50     | 50               |   |     |        |              |    |
| 10                           | 7.5               | -                   | 46.2 | 13   | 1.5               | 153254   | QSH-10       | 10               |   |     |        |              |    |
|                              |                   |                     |      |      |                   | 130726   | QSH-10-50    | 50               |   |     |        |              |    |
| 12                           | 9                 | -                   | 52.8 | 17.5 | 3                 | 153255   | QSH-12       | 10               |   |     |        |              |    |
|                              |                   |                     |      |      |                   | 130727   | QSH-12-20    | 20               |   |     |        |              |    |
| 16                           | 11                | -                   | 55.6 | 18   | 4                 | 153256   | QSH-16       | 1                |   |     |        |              |    |
| <b>Reducing</b>              |                   |                     |      |      |                   |          |              |                  |   |     |        |              |    |
| 6                            | 2.3               | 4                   | 36.7 | -    | 0.5               | 153257   | QSH-6-4      | 10               |   |     |        |              |    |
|                              |                   |                     |      |      |                   | 130718   | QSH-6-4-100  | 100              |   |     |        |              |    |
| 8                            | 2.3               | 4                   | 41.1 | -    | 0.9               | 130625   | QSH-8-4      | 10               |   |     |        |              |    |
|                              |                   |                     |      |      |                   | 3.8      | 6            | 40.5             | - | 0.9 | 153258 | QSH-8-6      | 10 |
|                              |                   |                     |      |      |                   |          |              |                  |   |     | 130719 | QSH-8-6-50   | 50 |
| 10                           | 3.8               | 6                   | 43.7 | -    | 1.4               | 130626   | QSH-10-6     | 10               |   |     |        |              |    |
|                              |                   |                     |      |      |                   | 4.9      | 8            | 44               | - | 1.3 | 153259 | QSH-10-8     | 10 |
|                              |                   |                     |      |      |                   |          |              |                  |   |     | 130720 | QSH-10-8-50  | 50 |
| 12                           | 4.9               | 8                   | 47.5 | -    | 2.1               | 130627   | QSH-12-8     | 10               |   |     |        |              |    |
|                              |                   |                     |      |      |                   | 7.1      | 10           | 49.6             | - | 2.2 | 153260 | QSH-12-10    | 10 |
|                              |                   |                     |      |      |                   |          |              |                  |   |     | 130721 | QSH-12-10-20 | 20 |
| 16                           | 7.8               | 12                  | 54.4 | -    | 4.2               | 153261   | QSH-16-12    | 1                |   |     |        |              |    |
|                              |                   |                     |      |      |                   | 130722   | QSH-16-12-20 | 20               |   |     |        |              |    |

1) Packaging unit quantity

# Push-in fittings QS, standard series

Technical data

## Blanking plug QSC-...H



| Dimensions and ordering data |                     |                     |    |      |                         |          |            |                  |
|------------------------------|---------------------|---------------------|----|------|-------------------------|----------|------------|------------------|
| Push-in sleeve $\varnothing$ | D5<br>$\varnothing$ | D6<br>$\varnothing$ | L1 | L2   | Weight/<br>piece<br>[g] | Part No. | Type       | PU <sup>1)</sup> |
| 4                            | 5                   | 3                   | 28 | 15   | 0.5                     | ★ 153267 | QSC-4H     | 10               |
|                              |                     |                     |    |      |                         | 130699   | QSC-4H-100 | 100              |
| 6                            | 7                   | 3                   | 33 | 17   | 0.5                     | ★ 153268 | QSC-6H     | 10               |
|                              |                     |                     |    |      |                         | 130700   | QSC-6H-100 | 100              |
| 8                            | 9                   | 4                   | 37 | 18   | 1                       | ★ 153269 | QSC-8H     | 10               |
|                              |                     |                     |    |      |                         | 130701   | QSC-8H-50  | 50               |
| 10                           | 11                  | 5                   | 42 | 20.5 | 2                       | ★ 153270 | QSC-10H    | 10               |
|                              |                     |                     |    |      |                         | 130702   | QSC-10H-50 | 50               |
| 12                           | 13                  | 6                   | 44 | 23   | 2.5                     | ★ 153271 | QSC-12H    | 10               |
|                              |                     |                     |    |      |                         | 130703   | QSC-12H-20 | 20               |
| 16                           | 17                  | 8                   | 46 | 24   | 4                       | ★ 153272 | QSC-16H    | 1                |

1) Packaging unit quantity

# Push-in fittings QS, standard series

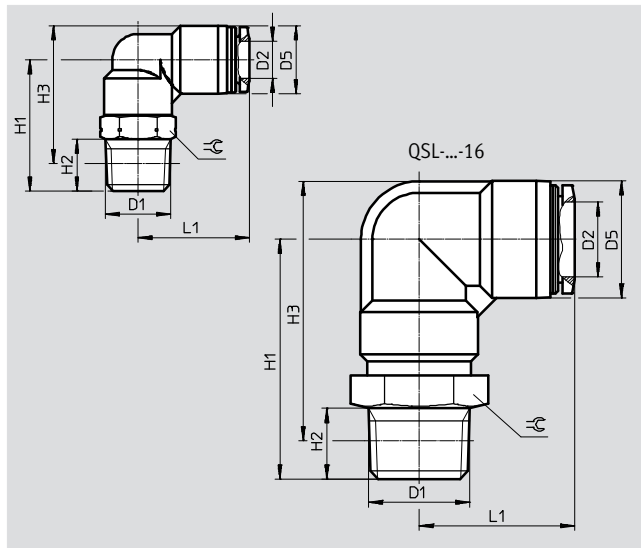


Technical data

## Push-in L-fitting QSL

Orientable

Male thread with external hex



| Dimensions and ordering data  |                   |                |      |      |    |      |      |    |                   |   |   |                  |
|-------------------------------|-------------------|----------------|------|------|----|------|------|----|-------------------|---|---|------------------|
| Connection                    | Nominal size [mm] | Tubing O.D. D2 | D5 Ø | H1   | H2 | H3   | L1   | ⊕  | Weight/ piece [g] | Part No.                                | Type                                    | PU <sup>1)</sup> |
| R thread                      |                   |                |      |      |    |      |      |    |                   |   |   |                  |
| R <sup>1</sup> / <sub>8</sub> | 2.8               | 4              | 10   | 22   | 8  | 23   | 18.7 | 10 | 10                | ★ 153045                                | QSL- <sup>1</sup> / <sub>8</sub> -4     | 10               |
|                               |                   |                |      |      |    |      |      |    |                   | 130728                                  | QSL- <sup>1</sup> / <sub>8</sub> -4-100 | 100              |
|                               | 4.2               | 6              | 12.5 | 22.5 | 8  | 24.8 | 20.3 | 10 | 11                | ★ 153046                                | QSL- <sup>1</sup> / <sub>8</sub> -6     | 10               |
|                               |                   |                |      |      |    |      |      |    |                   | 130729                                  | QSL- <sup>1</sup> / <sub>8</sub> -6-100 | 100              |
|                               | 6                 | 8              | 14.5 | 24   | 8  | 27.3 | 22.7 | 12 | 14                | ★ 153048                                | QSL- <sup>1</sup> / <sub>8</sub> -8     | 10               |
|                               |                   |                |      |      |    |      |      |    |                   | 130730                                  | QSL- <sup>1</sup> / <sub>8</sub> -8-50  | 50               |
|                               | 6                 | 10             | 17.5 | 25   | 8  | 29.8 | 25.5 | 12 | 18                | ★ 190658                                | QSL- <sup>1</sup> / <sub>8</sub> -10    | 10               |
| R <sup>1</sup> / <sub>4</sub> | 2.8               | 4              | 10   | 29   | 11 | 28   | 20.7 | 14 | 18                | ★ 190659                                | QSL- <sup>1</sup> / <sub>4</sub> -4     | 10               |
|                               | 4.3               | 6              | 12.5 | 28   | 11 | 28.2 | 21.8 | 14 | 19                | ★ 153047                                | QSL- <sup>1</sup> / <sub>4</sub> -6     | 10               |
|                               |                   |                |      |      |    |      |      |    |                   | 130731                                  | QSL- <sup>1</sup> / <sub>4</sub> -6-100 | 100              |
|                               | 6.7               | 8              | 14.5 | 28   | 11 | 29.2 | 23.7 | 14 | 20                | ★ 153049                                | QSL- <sup>1</sup> / <sub>4</sub> -8     | 10               |
|                               |                   |                |      |      |    |      |      |    |                   | 130732                                  | QSL- <sup>1</sup> / <sub>4</sub> -8-50  | 50               |
|                               | 8                 | 10             | 17.5 | 28.5 | 11 | 31.2 | 26   | 14 | 23                | ★ 153051                                | QSL- <sup>1</sup> / <sub>4</sub> -10    | 10               |
|                               |                   |                |      |      |    |      |      |    |                   | 130733                                  | QSL- <sup>1</sup> / <sub>4</sub> -10-50 | 50               |
|                               | 8                 | 12             | 21   | 29.8 | 11 | 34.2 | 29   | 14 | 27                | ★ 164981                                | QSL- <sup>1</sup> / <sub>4</sub> -12    | 10               |
|                               |                   |                |      |      |    |      |      |    |                   | 130734                                  | QSL- <sup>1</sup> / <sub>4</sub> -12-20 | 20               |
| R <sup>3</sup> / <sub>8</sub> | 4.3               | 6              | 12.5 | 31.5 | 12 | 31.4 | 23.8 | 17 | 30                | ★ 190660                                | QSL- <sup>3</sup> / <sub>8</sub> -6     | 10               |
|                               | 6.7               | 8              | 14.5 | 31   | 12 | 31.9 | 24.7 | 17 | 31                | ★ 153050                                | QSL- <sup>3</sup> / <sub>8</sub> -8     | 10               |
|                               |                   |                |      |      |    |      |      |    |                   | 130735                                  | QSL- <sup>3</sup> / <sub>8</sub> -8-50  | 50               |
|                               | 8.3               | 10             | 17.5 | 32   | 12 | 34.4 | 27   | 17 | 34                | ★ 153052                                | QSL- <sup>3</sup> / <sub>8</sub> -10    | 10               |
|                               |                   |                |      |      |    |      |      |    |                   | 130736                                  | QSL- <sup>3</sup> / <sub>8</sub> -10-20 | 20               |
|                               | 10                | 12             | 21   | 32.5 | 12 | 36.7 | 29.7 | 17 | 38                | ★ 153053                                | QSL- <sup>3</sup> / <sub>8</sub> -12    | 10               |
|                               |                   |                |      |      |    |      |      |    | 130737            | QSL- <sup>3</sup> / <sub>8</sub> -12-20 | 20                                      |                  |
|                               | 11                | 16             | 25   | 47   | 11 | 53.2 | 33.1 | 22 | 74                | ★ 164958                                | QSL- <sup>3</sup> / <sub>8</sub> -16    | 1                |
| R <sup>1</sup> / <sub>2</sub> | 8.3               | 10             | 17.5 | 36   | 15 | 36.6 | 27.5 | 21 | 57                | ★ 190661                                | QSL- <sup>1</sup> / <sub>2</sub> -10    | 1                |
|                               |                   |                |      |      |    |      |      |    |                   | 133192                                  | QSL- <sup>1</sup> / <sub>2</sub> -10-50 | 50               |
|                               | 10.3              | 12             | 21   | 36.5 | 15 | 38.8 | 30.7 | 21 | 61                | ★ 153054                                | QSL- <sup>1</sup> / <sub>2</sub> -12    | 1                |
|                               |                   |                |      |      |    |      |      |    |                   | 130738                                  | QSL- <sup>1</sup> / <sub>2</sub> -12-20 | 20               |
|                               | 13                | 16             | 25   | 51   | 15 | 55.3 | 33.1 | 22 | 79                | ★ 153055                                | QSL- <sup>1</sup> / <sub>2</sub> -16    | 1                |
|                               |                   |                |      |      |    |      |      |    |                   | 130739                                  | QSL- <sup>1</sup> / <sub>2</sub> -16-20 | 20               |

1) Packaging unit quantity

Festo core product range

- ★ Ready for dispatch from the Festo factory in 24 hours
- ☆ Ready for dispatch in 5 days maximum from stock

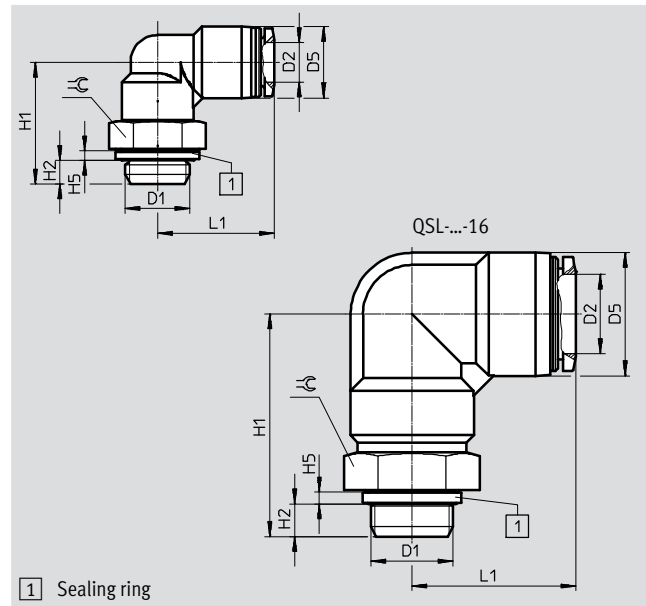
# Push-in fittings QS, standard series

Technical data

## Push-in L-fitting QSL

Orientable

Male thread with external hex



| Dimensions and ordering data  |              |             |      |      |     |      |      |    |               |                                       |  |                  |
|-------------------------------|--------------|-------------|------|------|-----|------|------|----|---------------|---------------------------------------|--|------------------|
| Connection                    | Nominal size | Tubing O.D. | D5   | H1   | H2  | H5   | L1   | ⊘  | Weight/ piece | Part No.                              | Type                                     | PU <sup>1)</sup> |
| D1                            | [mm]         | D2          | ∅    |      |     |      |      |    | [g]           |                                       |  |                  |
| G thread with sealing ring    |              |             |      |      |     |      |      |    |               |                                       |  |                  |
| G <sup>1</sup> / <sub>8</sub> | 2.8          | 4           | 10   | 21.1 | 4.2 | 1.9  | 18.7 | 13 | 13            | ★ 186116                              | QSL-G <sup>1</sup> / <sub>8</sub> -4     | 10               |
|                               |              |             |      |      |     |      |      |    |               | 132048                                | QSL-G <sup>1</sup> / <sub>8</sub> -4-100 | 100              |
|                               | 4.2          | 6           | 12.5 | 21.6 | 4.2 | 1.9  | 20.3 | 13 | 14            | ★ 186117                              | QSL-G <sup>1</sup> / <sub>8</sub> -6     | 10               |
|                               |              |             |      |      |     |      |      |    |               | 132049                                | QSL-G <sup>1</sup> / <sub>8</sub> -6-100 | 100              |
|                               | 6            | 8           | 14.5 | 22.1 | 4.2 | 1.9  | 22.7 | 13 | 15            | ★ 186119                              | QSL-G <sup>1</sup> / <sub>8</sub> -8     | 10               |
|                               |              |             |      |      |     |      |      |    |               | 132050                                | QSL-G <sup>1</sup> / <sub>8</sub> -8-50  | 50               |
| G <sup>1</sup> / <sub>4</sub> | 4.3          | 6           | 12.5 | 24.7 | 4.8 | 1.9  | 21.8 | 17 | 21            | ★ 186118                              | QSL-G <sup>1</sup> / <sub>4</sub> -6     | 10               |
|                               |              |             |      |      |     |      |      |    |               | 132051                                | QSL-G <sup>1</sup> / <sub>4</sub> -6-100 | 100              |
|                               | 6.7          | 8           | 14.5 | 24.7 | 4.8 | 1.9  | 23.7 | 17 | 23            | ★ 186120                              | QSL-G <sup>1</sup> / <sub>4</sub> -8     | 10               |
|                               |              |             |      |      |     |      |      |    |               | 132052                                | QSL-G <sup>1</sup> / <sub>4</sub> -8-50  | 50               |
|                               | 8            | 10          | 17.5 | 25.2 | 4.8 | 1.9  | 26   | 17 | 26            | ★ 186122                              | QSL-G <sup>1</sup> / <sub>4</sub> -10    | 10               |
|                               |              |             |      |      |     |      |      |    |               | 132053                                | QSL-G <sup>1</sup> / <sub>4</sub> -10-50 | 50               |
|                               | 8            | 12          | 21   | 26.5 | 4.8 | 1.9  | 29   | 17 | 29            | ★ 186351                              | QSL-G <sup>1</sup> / <sub>4</sub> -12    | 10               |
|                               |              |             |      |      |     |      |      |    |               | 132054                                | QSL-G <sup>1</sup> / <sub>4</sub> -12-20 | 20               |
| G <sup>3</sup> / <sub>8</sub> | 6.7          | 8           | 14.5 | 27.2 | 5.8 | 2.4  | 24.7 | 19 | 30            | ★ 186121                              | QSL-G <sup>3</sup> / <sub>8</sub> -8     | 10               |
|                               |              |             |      |      |     |      |      |    |               | 132055                                | QSL-G <sup>3</sup> / <sub>8</sub> -8-50  | 50               |
|                               | 8.3          | 10          | 17.5 | 28.2 | 5.8 | 2.4  | 27   | 19 | 33            | ★ 186123                              | QSL-G <sup>3</sup> / <sub>8</sub> -10    | 10               |
|                               |              |             |      |      |     |      |      |    |               | 132056                                | QSL-G <sup>3</sup> / <sub>8</sub> -10-20 | 20               |
|                               | 10           | 12          | 21   | 28.7 | 5.8 | 2.4  | 29.7 | 19 | 37            | ★ 186124                              | QSL-G <sup>3</sup> / <sub>8</sub> -12    | 10               |
|                               |              |             |      |      |     |      |      |    |               | 132057                                | QSL-G <sup>3</sup> / <sub>8</sub> -12-20 | 20               |
| 11                            | 16           | 25          | 44.2 | 5.8  | 2.4 | 33.1 | 24   | 77 | ★ 186348      | QSL-G <sup>3</sup> / <sub>8</sub> -16 | 1  |                  |
|                               |              |             |      |      |     |      |      |    |               |                                       |  |                  |
| G <sup>1</sup> / <sub>2</sub> | 10.3         | 12          | 21   | 32.2 | 6.8 | 2.4  | 30.7 | 24 | 67            | ★ 186125                              | QSL-G <sup>1</sup> / <sub>2</sub> -12    | 1                |
|                               |              |             |      |      |     |      |      |    |               | 132058                                | QSL-G <sup>1</sup> / <sub>2</sub> -12-20 | 20               |
|                               | 13           | 16          | 25   | 45.2 | 6.8 | 2.4  | 33.1 | 24 | 75            | ★ 186126                              | QSL-G <sup>1</sup> / <sub>2</sub> -16    | 1                |
|                               |              |             |      |      |     |      |      |    |               | 132059                                | QSL-G <sup>1</sup> / <sub>2</sub> -16-20 | 20               |

1) Packaging unit quantity

Festo core product range

- ★ Ready for dispatch from the Festo factory in 24 hours
- ☆ Ready for dispatch in 5 days maximum from stock

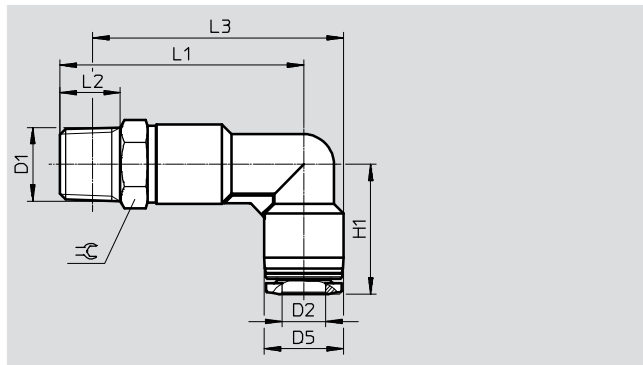
# Push-in fittings QS, standard series

Technical data

## Push-in long L-fitting QSLL

Orientable

Male thread with external hex



| Dimensions and ordering data  |                   |                |      |      |      |    |      |    |                   |          |                                       |                  |
|-------------------------------|-------------------|----------------|------|------|------|----|------|----|-------------------|----------|---------------------------------------|------------------|
| Connection                    | Nominal size [mm] | Tubing O.D. D2 | D5 Ø | H1   | L1   | L2 | L3   | ≈C | Weight/ piece [g] | Part No. | Type                                  | PU <sup>1)</sup> |
| R thread                      |                   |                |      |      |      |    |      |    |                   |          |                                       |                  |
| R <sup>1</sup> / <sub>8</sub> | 2.8               | 4              | 10   | 18.7 | 34   | 8  | 35   | 10 | 11                | ★ 153076 | QSLL- <sup>1</sup> / <sub>8</sub> -4  | 10               |
|                               | 4.3               | 6              | 12.5 | 20.3 | 37   | 8  | 39.3 | 10 | 13                | ★ 153077 | QSLL- <sup>1</sup> / <sub>8</sub> -6  | 10               |
|                               | 6                 | 8              | 14.5 | 22.7 | 40.5 | 8  | 43.8 | 12 | 16                | ★ 153079 | QSLL- <sup>1</sup> / <sub>8</sub> -8  | 10               |
| R <sup>1</sup> / <sub>4</sub> | 2.8               | 4              | 10   | 20.7 | 41   | 11 | 40   | 14 | 19                | ★ 190662 | QSLL- <sup>1</sup> / <sub>4</sub> -4  | 10               |
|                               | 4.3               | 6              | 12.5 | 21.8 | 42.5 | 11 | 42.7 | 14 | 20                | ★ 153078 | QSLL- <sup>1</sup> / <sub>4</sub> -6  | 10               |
|                               | 6.7               | 8              | 14.5 | 23.7 | 44.5 | 11 | 45.7 | 14 | 22                | ★ 153080 | QSLL- <sup>1</sup> / <sub>4</sub> -8  | 10               |
|                               | 8                 | 10             | 17.5 | 26   | 48   | 11 | 50.7 | 14 | 26                | ★ 153082 | QSLL- <sup>1</sup> / <sub>4</sub> -10 | 10               |
| R <sup>3</sup> / <sub>8</sub> | 4.3               | 6              | 12.5 | 23.8 | 46   | 12 | 45.9 | 17 | 33                | ★ 190663 | QSLL- <sup>3</sup> / <sub>8</sub> -6  | 10               |
|                               | 6.7               | 8              | 14.5 | 24.7 | 47.5 | 12 | 48.4 | 17 | 35                | ★ 153081 | QSLL- <sup>3</sup> / <sub>8</sub> -8  | 10               |
|                               | 8.3               | 10             | 17.5 | 27   | 51.5 | 12 | 53.9 | 17 | 38                | ★ 153083 | QSLL- <sup>3</sup> / <sub>8</sub> -10 | 10               |
|                               | 10                | 12             | 21   | 29.7 | 55.5 | 12 | 59.7 | 17 | 42                | ★ 153084 | QSLL- <sup>3</sup> / <sub>8</sub> -12 | 10               |
| R <sup>1</sup> / <sub>2</sub> | 8.3               | 10             | 17.5 | 27   | 55.5 | 15 | 56.1 | 21 | 63                | ★ 190664 | QSLL- <sup>1</sup> / <sub>2</sub> -10 | 1                |
|                               | 10.3              | 12             | 21   | 29.7 | 59.5 | 15 | 61.8 | 21 | 68                | ★ 153085 | QSLL- <sup>1</sup> / <sub>2</sub> -12 | 1                |

1) Packaging unit quantity

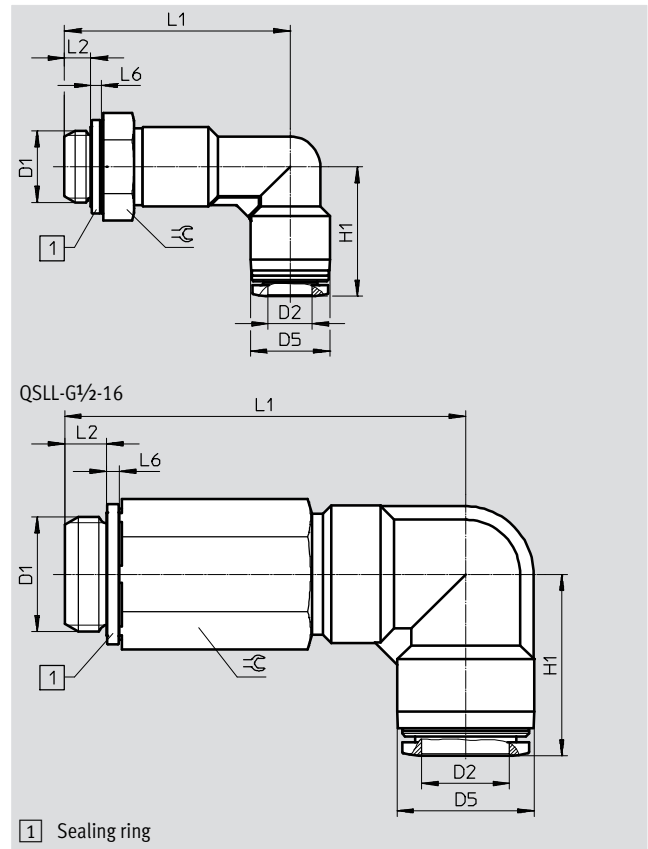
Festo core product range

- ★ Ready for dispatch from the Festo factory in 24 hours
- ☆ Ready for dispatch in 5 days maximum from stock

# Push-in fittings QS, standard series

Technical data

**Push-in long L-fitting QSLL**  
 Orientable  
 Male thread with external hex



| Dimensions and ordering data  |                   |                |      |      |      |     |     |    |                   |          |   |                  |
|-------------------------------|-------------------|----------------|------|------|------|-----|-----|----|-------------------|----------|---|------------------|
| Connection                    | Nominal size [mm] | Tubing O.D. D2 | D5 Ø | H1   | L1   | L2  | L6  | ⌀  | Weight/ piece [g] | Part No. | Type                                      | PU <sup>1)</sup> |
| G thread with sealing ring    |                   |                |      |      |      |     |     |    |                   |          |   |                  |
| G <sup>1</sup> / <sub>8</sub> | 2.8               | 4              | 10   | 18.7 | 33.1 | 4.2 | 1.9 | 13 | 14                | 186127   | QSLL-G <sup>1</sup> / <sub>8</sub> -4     | 10               |
|                               |                   |                |      |      |      |     |     |    |                   | 133015   | QSLL-G <sup>1</sup> / <sub>8</sub> -4-100 | 100              |
|                               | 4.3               | 6              | 12.5 | 20.3 | 36.1 | 4.2 | 1.9 | 13 | 15                | 186128   | QSLL-G <sup>1</sup> / <sub>8</sub> -6     | 10               |
|                               |                   |                |      |      |      |     |     |    |                   | 133016   | QSLL-G <sup>1</sup> / <sub>8</sub> -6-100 | 100              |
| G <sup>1</sup> / <sub>4</sub> | 6                 | 8              | 14.5 | 22.7 | 38.6 | 4.2 | 1.9 | 13 | 17                | 186130   | QSLL-G <sup>1</sup> / <sub>8</sub> -8     | 10               |
|                               |                   |                |      |      |      |     |     |    |                   | 133017   | QSLL-G <sup>1</sup> / <sub>8</sub> -8-100 | 100              |
|                               | 4.3               | 6              | 12.5 | 21.8 | 39.2 | 4.8 | 1.9 | 17 | 25                | 186129   | QSLL-G <sup>1</sup> / <sub>4</sub> -6     | 10               |
|                               | 6.7               | 8              | 14.5 | 23.7 | 41.2 | 4.8 | 1.9 | 17 | 27                | 186131   | QSLL-G <sup>1</sup> / <sub>4</sub> -8     | 10               |
| G <sup>3</sup> / <sub>8</sub> | 8                 | 10             | 17.5 | 26   | 44.7 | 4.8 | 1.9 | 17 | 31                | 186133   | QSLL-G <sup>1</sup> / <sub>4</sub> -10    | 10               |
|                               | 8                 | 12             | 21   | 29   | 49.5 | 4.8 | 1.9 | 17 | 35                | 132596   | QSLL-G <sup>1</sup> / <sub>4</sub> -12    | 1                |
|                               | 6.7               | 8              | 14.5 | 24.7 | 43.7 | 5.8 | 2.4 | 19 | 34                | 186132   | QSLL-G <sup>3</sup> / <sub>8</sub> -8     | 10               |
| G <sup>3</sup> / <sub>8</sub> | 8.3               | 10             | 17.5 | 27   | 47.7 | 5.8 | 2.4 | 19 | 37                | 186134   | QSLL-G <sup>3</sup> / <sub>8</sub> -10    | 10               |
|                               | 10                | 12             | 21   | 29.7 | 51.7 | 5.8 | 2.4 | 19 | 41                | 186135   | QSLL-G <sup>3</sup> / <sub>8</sub> -12    | 10               |
|                               | 10.3              | 12             | 21   | 29.7 | 55.2 | 6.8 | 2.4 | 24 | 75                | 186136   | QSLL-G <sup>1</sup> / <sub>2</sub> -12    | 1                |
| G <sup>1</sup> / <sub>2</sub> | 13                | 16             | 25   | 33.1 | 72.2 | 6.8 | 2.4 | 24 | 158               | 190665   | QSLL-G <sup>1</sup> / <sub>2</sub> -16    | 1                |

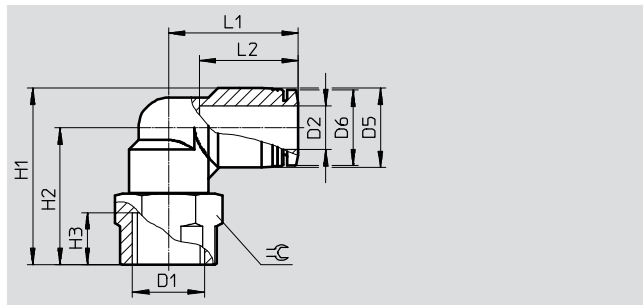
1) Packaging unit quantity

# Push-in fittings QS, standard series

Technical data

## Push-in L-fitting QSLF

Female thread with external hex



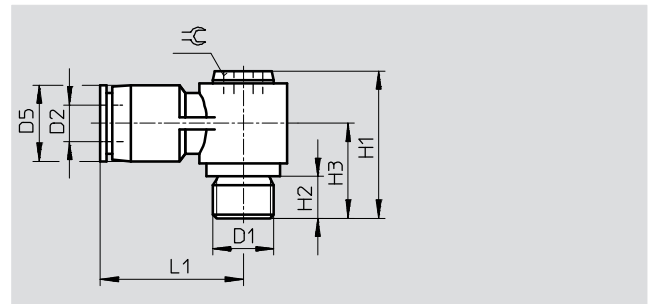
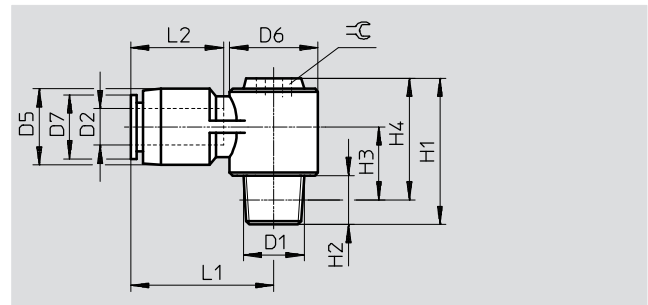
| Dimensions and ordering data  |                   |                |      |      |      |      |     |      |      |    |                  |          |   |                  |
|-------------------------------|-------------------|----------------|------|------|------|------|-----|------|------|----|------------------|----------|---|------------------|
| Connection                    | Nominal size [mm] | Tubing O.D. D2 | D5 Ø | D6 Ø | H1   | H2   | H3  | L1   | L2   | ⌀  | Weight/piece [g] | Part No. | Type                                    | PU <sup>1)</sup> |
| G thread                      |                   |                |      |      |      |      |     |      |      |    |                  |          |   |                  |
| G <sup>1</sup> / <sub>8</sub> | 2.8               | 4              | 10   | 9.9  | 25   | 20   | 7   | 18.7 | 14.9 | 14 | 14               | ★ 153273 | QSLF- <sup>1</sup> / <sub>8</sub> -4-B  | 10               |
|                               | 4.2               | 6              | 12.5 | 11.8 | 26.8 | 20.5 | 7   | 20.3 | 17   | 14 | 15               | ★ 153274 | QSLF- <sup>1</sup> / <sub>8</sub> -6-B  | 10               |
|                               | 6                 | 8              | 14.5 | 13.8 | 28.3 | 21   | 7   | 22.7 | 18.1 | 14 | 16               | ★ 153276 | QSLF- <sup>1</sup> / <sub>8</sub> -8-B  | 10               |
| G <sup>1</sup> / <sub>4</sub> | 4.3               | 6              | 12.5 | 11.8 | 31.3 | 25   | 9.5 | 21.8 | 17   | 17 | 22               | ★ 153275 | QSLF- <sup>1</sup> / <sub>4</sub> -6-B  | 10               |
|                               | 6.7               | 8              | 14.5 | 13.8 | 32.3 | 25   | 9.5 | 23.7 | 18.1 | 17 | 24               | ★ 153277 | QSLF- <sup>1</sup> / <sub>4</sub> -8-B  | 10               |
|                               | 8                 | 10             | 17.5 | 16.8 | 34.3 | 25.5 | 9.5 | 26   | 20.2 | 17 | 27               | ★ 153279 | QSLF- <sup>1</sup> / <sub>4</sub> -10-B | 10               |
| G <sup>3</sup> / <sub>8</sub> | 6.7               | 8              | 14.5 | 13.8 | 34.8 | 27.5 | 11  | 24.7 | 18.1 | 21 | 33               | ★ 153278 | QSLF- <sup>3</sup> / <sub>8</sub> -8-B  | 10               |
|                               | 8.3               | 10             | 17.5 | 16.8 | 37.3 | 28.5 | 11  | 27   | 20.2 | 21 | 36               | ★ 153280 | QSLF- <sup>3</sup> / <sub>8</sub> -10-B | 10               |

1) Packaging unit quantity

# Push-in fittings QS, standard series

Technical data

**Push-in L-fitting QSLV-...-I**  
 Orientable  
 Male thread with internal hex



| Dimensions and ordering data  |                   |                |      |      |      |      |     |      |      |      |      |    |                   |          |  |                  |
|-------------------------------|-------------------|----------------|------|------|------|------|-----|------|------|------|------|----|-------------------|----------|--|------------------|
| Connection                    | Nominal size [mm] | Tubing O.D. D2 | D5 Ø | D6 Ø | D7 Ø | H1   | H2  | H3   | H4   | L1   | L2   | ⊖  | Weight/ piece [g] | Part No. | Type                                     | PU <sup>1)</sup> |
| <b>R thread</b>               |                   |                |      |      |      |      |     |      |      |      |      |    |                   |          |  |                  |
| R <sup>1</sup> / <sub>8</sub> | 3                 | 6              | 13   | 14.3 | 11.8 | 24   | 8   | 11.5 | 20   | 23.7 | 17   | 5  | 15                | 153097   | QSLV- <sup>1</sup> / <sub>8</sub> -6-I   | 10               |
|                               | 4.2               | 8              | 14   | 17.9 | 13.8 | 27   | 8   | 12   | 23   | 26.7 | 18.1 | 8  | 22                | 153099   | QSLV- <sup>1</sup> / <sub>8</sub> -8-I   | 10               |
| R <sup>1</sup> / <sub>4</sub> | 3.1               | 6              | 13   | 14.3 | 11.8 | 27   | 11  | 12.5 | 21   | 23.7 | 17   | 5  | 22                | 153098   | QSLV- <sup>1</sup> / <sub>4</sub> -6-I   | 10               |
|                               | 4                 | 8              | 14   | 17.9 | 13.8 | 30   | 11  | 13   | 24   | 26.7 | 18.1 | 8  | 28                | 153100   | QSLV- <sup>1</sup> / <sub>4</sub> -8-I   | 10               |
|                               | 5.4               | 10             | 18   | 21.3 | 16.8 | 34   | 11  | 15   | 28   | 30.7 | 20.7 | 10 | 40                | 153102   | QSLV- <sup>1</sup> / <sub>4</sub> -10-I  | 10               |
| R <sup>3</sup> / <sub>8</sub> | 4.2               | 8              | 14   | 17.9 | 13.8 | 31   | 12  | 13.7 | 24.7 | 26.7 | 18.1 | 8  | 37                | 153101   | QSLV- <sup>3</sup> / <sub>8</sub> -8-I   | 10               |
|                               | 5.4               | 10             | 18   | 21.3 | 16.8 | 35   | 12  | 15.7 | 28.7 | 30.7 | 20.7 | 10 | 49                | 153103   | QSLV- <sup>3</sup> / <sub>8</sub> -10-I  | 10               |
|                               | 6.9               | 12             | 21   | 26.3 | 19.8 | 39   | 12  | 17.7 | 32.7 | 36.4 | 23.4 | 12 | 68                | 153104   | QSLV- <sup>3</sup> / <sub>8</sub> -12-I  | 10               |
| R <sup>1</sup> / <sub>2</sub> | 6.4               | 12             | 21   | 26.3 | 19.8 | 42   | 15  | 18.8 | 33.8 | 36.4 | 23.4 | 12 | 85                | 153105   | QSLV- <sup>1</sup> / <sub>2</sub> -12-I  | 1                |
| <b>G thread</b>               |                   |                |      |      |      |      |     |      |      |      |      |    |                   |          |  |                  |
| G <sup>1</sup> / <sub>8</sub> | 3                 | 6              | 13   | -    | -    | 23   | 5.1 | 14.5 | -    | 23.7 | -    | 5  | 15                | 186148   | QSLV-G <sup>1</sup> / <sub>8</sub> -6-I  | 10               |
|                               | 4.2               | 8              | 14   | -    | -    | 26   | 5.1 | 15   | -    | 26.7 | -    | 8  | 22                | 186150   | QSLV-G <sup>1</sup> / <sub>8</sub> -8-I  | 10               |
| G <sup>1</sup> / <sub>4</sub> | 3.1               | 6              | 13   | -    | -    | 23.5 | 5.6 | 15   | -    | 23.7 | -    | 5  | 19                | 186149   | QSLV-G <sup>1</sup> / <sub>4</sub> -6-I  | 10               |
|                               | 4                 | 8              | 14   | -    | -    | 26.5 | 5.6 | 15.5 | -    | 26.7 | -    | 8  | 25                | 186151   | QSLV-G <sup>1</sup> / <sub>4</sub> -8-I  | 10               |
|                               | 5.4               | 10             | 18   | -    | -    | 30.5 | 5.6 | 17.5 | -    | 30.7 | -    | 10 | 38                | 186153   | QSLV-G <sup>1</sup> / <sub>4</sub> -10-I | 10               |
| G <sup>3</sup> / <sub>8</sub> | 4.2               | 8              | 14   | -    | -    | 28   | 6.6 | 17   | -    | 26.7 | -    | 8  | 33                | 186152   | QSLV-G <sup>3</sup> / <sub>8</sub> -8-I  | 10               |
|                               | 5.4               | 10             | 18   | -    | -    | 32   | 6.6 | 19   | -    | 30.7 | -    | 10 | 45                | 186154   | QSLV-G <sup>3</sup> / <sub>8</sub> -10-I | 10               |
|                               | 6.9               | 12             | 21   | -    | -    | 36   | 6.6 | 21   | -    | 36.4 | -    | 12 | 65                | 186155   | QSLV-G <sup>3</sup> / <sub>8</sub> -12-I | 10               |
| G <sup>1</sup> / <sub>2</sub> | 6.4               | 12             | 21   | -    | -    | 37   | 7.6 | 22   | -    | 36.4 | -    | 12 | 75                | 186156   | QSLV-G <sup>1</sup> / <sub>2</sub> -12-I | 1                |

1) Packaging unit quantity

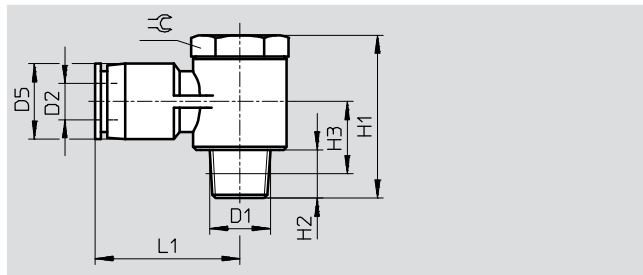
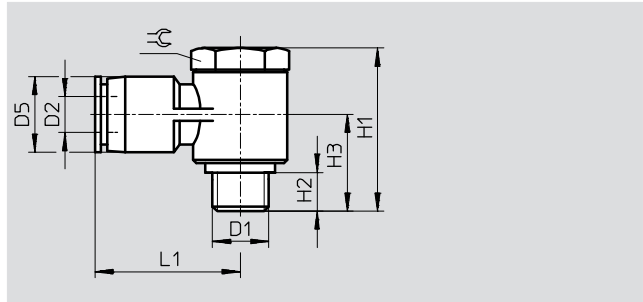
# Push-in fittings QS, standard series

Technical data

## Push-in L-fitting QSLV

Orientable

Male thread with external hex



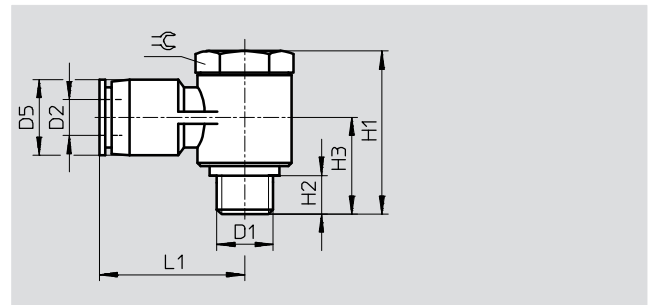
| Dimensions and ordering data  |              |             |      |      |     |      |      |    |               |          |  |                  |
|-------------------------------|--------------|-------------|------|------|-----|------|------|----|---------------|----------|--|------------------|
| Connection                    | Nominal size | Tubing O.D. | D5   | H1   | H2  | H3   | L1   | ≈C | Weight/ piece | Part No. | Type                                     | PU <sup>1)</sup> |
| D1                            | [mm]         | D2          | ∅    |      |     |      |      |    | [g]           |          |  |                  |
| Metric thread                 |              |             |      |      |     |      |      |    |               |          |  |                  |
| M5                            | 1.6          | 6           | 12.5 | 17.7 | 3.5 | 10.9 | 23.1 | 8  | 8.2           | ★ 190666 | QSLV-M5-6                                | 10               |
| R thread                      |              |             |      |      |     |      |      |    |               |          |  |                  |
| R <sup>1</sup> / <sub>8</sub> | 2.4          | 4           | 10   | 27   | 8   | 12   | 22.5 | 14 | 20            | ★ 153086 | QSLV- <sup>1</sup> / <sub>8</sub> -4     | 10               |
|                               |              |             |      |      |     |      |      |    |               | ★ 130749 | QSLV- <sup>1</sup> / <sub>8</sub> -4-100 | 100              |
|                               | 3.7          | 6           | 12.5 | 27   | 8   | 12   | 24   | 14 | 35.5          | ★ 153087 | QSLV- <sup>1</sup> / <sub>8</sub> -6     | 10               |
|                               |              |             |      |      |     |      |      |    |               | ★ 130750 | QSLV- <sup>1</sup> / <sub>8</sub> -6-100 | 100              |
| R <sup>1</sup> / <sub>4</sub> | 4.4          | 8           | 14.5 | 27   | 8   | 12   | 26   | 14 | 37            | ★ 153089 | QSLV- <sup>1</sup> / <sub>8</sub> -8     | 10               |
|                               |              |             |      |      |     |      |      |    |               | ★ 130751 | QSLV- <sup>1</sup> / <sub>8</sub> -8-50  | 50               |
|                               | 3.8          | 6           | 12.5 | 31.5 | 11  | 13.5 | 27   | 17 | 32.5          | ★ 153088 | QSLV- <sup>1</sup> / <sub>4</sub> -6     | 10               |
|                               |              |             |      |      |     |      |      |    |               | ★ 130752 | QSLV- <sup>1</sup> / <sub>4</sub> -6-100 | 100              |
| R <sup>1</sup> / <sub>2</sub> | 5            | 8           | 14.5 | 31.5 | 11  | 13.5 | 28.5 | 17 | 59.5          | ★ 153090 | QSLV- <sup>1</sup> / <sub>4</sub> -8     | 10               |
|                               |              |             |      |      |     |      |      |    |               | ★ 130753 | QSLV- <sup>1</sup> / <sub>4</sub> -8-50  | 50               |
|                               | 5.4          | 10          | 17.5 | 31.5 | 11  | 14.5 | 30.5 | 17 | 62.5          | ★ 153092 | QSLV- <sup>1</sup> / <sub>4</sub> -10    | 10               |
|                               |              |             |      |      |     |      |      |    |               | ★ 130754 | QSLV- <sup>1</sup> / <sub>4</sub> -10-50 | 50               |
| R <sup>3</sup> / <sub>8</sub> | 5.2          | 8           | 14.5 | 36   | 12  | 15.5 | 30.5 | 21 | 54.5          | ★ 153091 | QSLV- <sup>3</sup> / <sub>8</sub> -8     | 10               |
|                               | 6.3          | 10          | 17.5 | 36   | 12  | 15.5 | 33   | 21 | 66            | ★ 153093 | QSLV- <sup>3</sup> / <sub>8</sub> -10    | 10               |
|                               | 7.1          | 12          | 21   | 36   | 12  | 17   | 35   | 21 | 97.5          | ★ 153094 | QSLV- <sup>3</sup> / <sub>8</sub> -12    | 10               |
| R <sup>1</sup> / <sub>2</sub> | 8            | 12          | 21   | 40.5 | 15  | 16.5 | 38   | 24 | 100           | ★ 153095 | QSLV- <sup>1</sup> / <sub>2</sub> -12    | 1                |
|                               | 8.9          | 16          | 25   | 48.5 | 15  | 22   | 36.5 | 24 | 115           | ★ 153096 | QSLV- <sup>1</sup> / <sub>2</sub> -16    | 1                |

1) Packaging unit quantity

# Push-in fittings QS, standard series

Technical data

**Push-in L-fitting QSLV**  
 Orientable  
 Male thread with external hex



| Dimensions and ordering data  |              |             |      |      |     |      |      |    |               |          |   |                  |
|-------------------------------|--------------|-------------|------|------|-----|------|------|----|---------------|----------|---|------------------|
| Connection                    | Nominal size | Tubing O.D. | D5   | H1   | H2  | H3   | L1   | ⌀  | Weight/ piece | Part No. | Type                                      | PU <sup>1)</sup> |
| D1                            | [mm]         | D2          | ∅    |      |     |      |      |    | [g]           |          |   |                  |
| G thread                      |              |             |      |      |     |      |      |    |               |          |   |                  |
| G <sup>1</sup> / <sub>8</sub> | 2.3          | 4           | 10   | 23.7 | 5.1 | 13.8 | 23.4 | 14 | 22            | ★ 186137 | QSLV-G <sup>1</sup> / <sub>8</sub> -4     | 10               |
|                               |              |             |      |      |     |      |      |    |               | 132060   | QSLV-G <sup>1</sup> / <sub>8</sub> -4-100 | 100              |
|                               | 3.5          | 6           | 12.4 | 23.7 | 5.1 | 14.1 | 25.5 | 14 | 23            | ★ 186138 | QSLV-G <sup>1</sup> / <sub>8</sub> -6     | 10               |
|                               |              |             |      |      |     |      |      |    |               | 132061   | QSLV-G <sup>1</sup> / <sub>8</sub> -6-100 | 100              |
|                               | 4            | 8           | 14.4 | 23.7 | 5.1 | 15.1 | 28.4 | 14 | 25            | ★ 186140 | QSLV-G <sup>1</sup> / <sub>8</sub> -8     | 10               |
|                               |              |             |      |      |     |      |      |    |               | 132062   | QSLV-G <sup>1</sup> / <sub>8</sub> -8-50  | 50               |
| G <sup>1</sup> / <sub>4</sub> | 3.7          | 6           | 12.4 | 28.6 | 5.6 | 16   | 29   | 19 | 44            | ★ 186139 | QSLV-G <sup>1</sup> / <sub>4</sub> -6     | 10               |
|                               |              |             |      |      |     |      |      |    |               | 132063   | QSLV-G <sup>1</sup> / <sub>4</sub> -6-100 | 100              |
|                               | 4.9          | 8           | 14.4 | 28.6 | 5.6 | 16   | 28.9 | 19 | 45            | ★ 186141 | QSLV-G <sup>1</sup> / <sub>4</sub> -8     | 10               |
|                               |              |             |      |      |     |      |      |    |               | 132064   | QSLV-G <sup>1</sup> / <sub>4</sub> -8-50  | 50               |
|                               | 5.3          | 10          | 17.6 | 28.6 | 5.6 | 17.3 | 31.2 | 19 | 48            | ★ 186143 | QSLV-G <sup>1</sup> / <sub>4</sub> -10    | 10               |
|                               |              |             |      |      |     |      |      |    |               | 132065   | QSLV-G <sup>1</sup> / <sub>4</sub> -10-50 | 50               |
| G <sup>3</sup> / <sub>8</sub> | 5.4          | 8           | 14.4 | 33.1 | 6.6 | 19.2 | 31   | 24 | 71            | ★ 186142 | QSLV-G <sup>3</sup> / <sub>8</sub> -8     | 10               |
|                               | 6.4          | 10          | 17.6 | 33.1 | 6.6 | 19.2 | 33.6 | 24 | 74            | ★ 186144 | QSLV-G <sup>3</sup> / <sub>8</sub> -10    | 10               |
|                               | 6.4          | 12          | 21   | 33.1 | 6.6 | 20.9 | 36.4 | 24 | 77            | ★ 186145 | QSLV-G <sup>3</sup> / <sub>8</sub> -12    | 10               |
| G <sup>1</sup> / <sub>2</sub> | 7            | 12          | 21   | 34   | 7.6 | 21.9 | 37.9 | 27 | 99            | ★ 186146 | QSLV-G <sup>1</sup> / <sub>2</sub> -12    | 1                |
|                               | 8.1          | 16          | 25   | 43.1 | 7.6 | 24.8 | 38.1 | 27 | 115           | ★ 186147 | QSLV-G <sup>1</sup> / <sub>2</sub> -16    | 1                |

1) Packaging unit quantity

Festo core product range

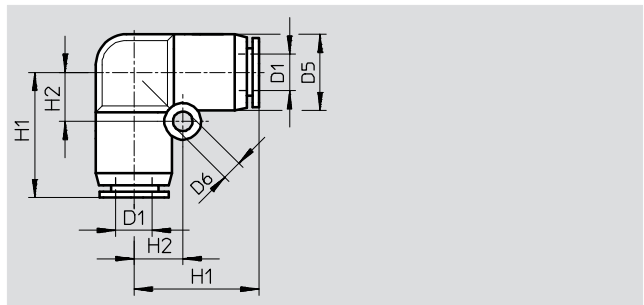
- ★ Ready for dispatch from the Festo factory in 24 hours
- ☆ Ready for dispatch in 5 days maximum from stock

# Push-in fittings QS, standard series

Technical data



## Push-in L-connector QSL



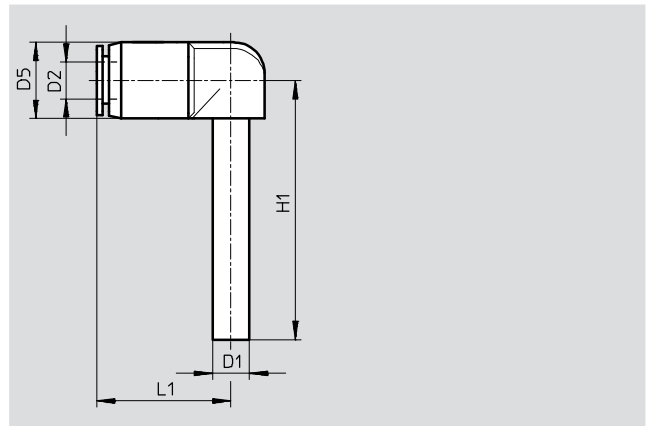
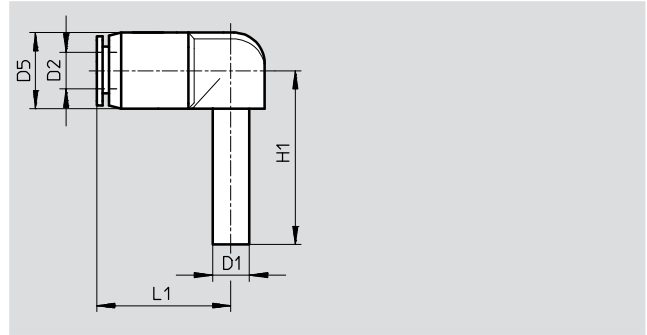
| Dimensions and ordering data |              |         |         |      |     |                         |          |           |                  |
|------------------------------|--------------|---------|---------|------|-----|-------------------------|----------|-----------|------------------|
| Tubing O.D.                  | Nominal size | D5<br>∅ | D6<br>∅ | H1   | H2  | Weight/<br>piece<br>[g] | Part No. | Type      | PU <sup>1)</sup> |
| D1                           | [mm]         |         |         |      |     |                         |          |           |                  |
| 4                            | 2.3          | 10      | 3.2     | 16.9 | 6.5 | 5.1                     | ★ 153070 | QSL-4     | 10               |
|                              |              |         |         |      |     |                         | 130740   | QSL-4-100 | 100              |
| 6                            | 3.6          | 12.5    | 3.2     | 20.1 | 8   | 7.3                     | ★ 153071 | QSL-6     | 10               |
|                              |              |         |         |      |     |                         | 130741   | QSL-6-100 | 100              |
| 8                            | 4.6          | 15      | 4.2     | 22.4 | 10  | 11                      | ★ 153072 | QSL-8     | 10               |
|                              |              |         |         |      |     |                         | 130742   | QSL-8-50  | 50               |
| 10                           | 6.2          | 17.5    | 4.2     | 26.2 | 12  | 17                      | ★ 153073 | QSL-10    | 10               |
|                              |              |         |         |      |     |                         | 130743   | QSL-10-50 | 50               |
| 12                           | 7.7          | 21      | 4.2     | 29.4 | 14  | 25                      | ★ 153074 | QSL-12    | 10               |
|                              |              |         |         |      |     |                         | 130744   | QSL-12-20 | 20               |
| 16                           | 10.8         | 25      | 4.2     | 33.1 | 12  | 31                      | ★ 153075 | QSL-16    | 1                |
|                              |              |         |         |      |     |                         | 133194   | QSL-16-20 | 20               |

1) Packaging unit quantity

# Push-in fittings QS, standard series

Technical data

Push-in L-connector QSL-...H  
with push-in sleeve



Long push-in sleeve

| Dimensions and ordering data |                   |                |      |      |       |                   |          |            |                  |
|------------------------------|-------------------|----------------|------|------|-------|-------------------|----------|------------|------------------|
| Push-in sleeve Ø D1          | Nominal size [mm] | Tubing O.D. D2 | D5 Ø | H1   | L1    | Weight/ piece [g] | Part No. | Type       | PU <sup>1)</sup> |
| 4                            | 2                 | 4              | 10   | 25   | 16.8  | 2.7               | ★ 153056 | QSL-4H     | 10               |
|                              |                   |                |      |      |       |                   | 130745   | QSL-4H-100 | 100              |
| 6                            | 3.2               | 6              | 12.5 | 28.5 | 19.8  | 3.9               | ★ 153057 | QSL-6H     | 10               |
|                              |                   |                |      |      |       |                   | 130746   | QSL-6H-100 | 100              |
| 8                            | 4.7               | 8              | 14.5 | 30.7 | 21.8  | 5.7               | ★ 153058 | QSL-8H     | 10               |
|                              |                   |                |      |      |       |                   | 130747   | QSL-8H-50  | 50               |
| 10                           | 5.7               | 10             | 17.5 | 33.7 | 24.9  | 9.6               | ★ 153059 | QSL-10H    | 10               |
|                              |                   |                |      |      |       |                   | 130748   | QSL-10H-50 | 50               |
| 12                           | 6.8               | 12             | 21   | 39   | 28.9  | 15                | ★ 153060 | QSL-12H    | 10               |
| Reducing                     |                   |                |      |      |       |                   |          |            |                  |
| 6                            | 2.4               | 4              | 12.5 | 28.5 | 17.7  | 3.6               | ★ 153061 | QSL-6H-4   | 10               |
| 8                            | 3.5               | 6              | 14.5 | 30.7 | 21.9  | 5.2               | ★ 153062 | QSL-8H-6   | 10               |
| 10                           | 4.9               | 8              | 17.5 | 33.7 | 24.6  | 8                 | ★ 153063 | QSL-10H-8  | 10               |
| 12                           | 6.1               | 10             | 21   | 39   | 28.7  | 14                | ★ 153064 | QSL-12H-10 | 10               |
| Long push-in sleeve          |                   |                |      |      |       |                   |          |            |                  |
| 4                            | 2                 | 4              | 10   | 36   | 16.8  | 2.8               | ★ 153065 | QSL-4HL    | 10               |
| 6                            | 3.1               | 6              | 12.5 | 42   | 19.8  | 4.2               | ★ 153066 | QSL-6HL    | 10               |
| 8                            | 4.5               | 8              | 14.5 | 46.7 | 21.8  | 6.2               | ★ 153067 | QSL-8HL    | 10               |
| 10                           | 5.6               | 10             | 17.5 | 51.7 | 24.9  | 11                | ★ 153068 | QSL-10HL   | 10               |
| 12                           | 6.7               | 12             | 21   | 59.5 | 28.95 | 16                | ★ 153069 | QSL-12HL   | 10               |

1) Packaging unit quantity

Festo core product range

- ★ Ready for dispatch from the Festo factory in 24 hours
- ☆ Ready for dispatch in 5 days maximum from stock

# Push-in fittings QS, standard series

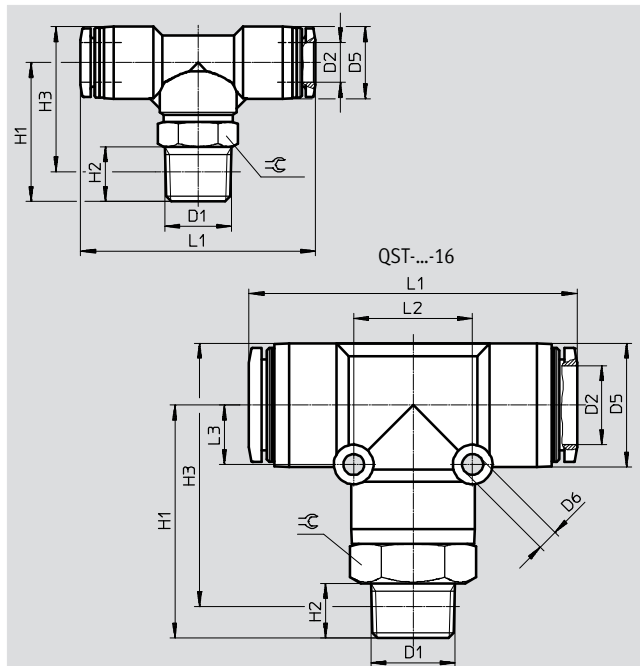


Technical data

## Push-in T-fitting QST

Orientable

Male thread with external hex



| Dimensions and ordering data  |                               |             |      |      |      |      |      |      |      |    |    |               |          |   |   |    |
|-------------------------------|-------------------------------|-------------|------|------|------|------|------|------|------|----|----|---------------|----------|---|---|----|
| Connection                    | Nominal size                  | Tubing O.D. | D5   | D6   | H1   | H2   | H3   | L1   | L2   | L3 | ⌀  | Weight/ piece | Part No. | Type                                    | PU <sup>1)</sup>                        |    |
| D1                            | [mm]                          | D2          | ∅    | ∅    |      |      |      |      |      |    |    | [g]           |          |   |   |    |
| <b>R thread</b>               |                               |             |      |      |      |      |      |      |      |    |    |               |          |   |   |    |
| R <sup>1</sup> / <sub>8</sub> | 2.8                           | 4           | 10   | -    | 22   | 8    | 23   | 37.4 | -    | -  | 10 | 13            | ★ 153106 | QST- <sup>1</sup> / <sub>8</sub> -4     | 10                                      |    |
|                               |                               |             |      |      |      |      |      |      |      |    |    |               | 130793   | QST- <sup>1</sup> / <sub>8</sub> -4-100 | 100                                     |    |
|                               | 4.2                           | 6           | 12.5 | -    | 22.5 | 8    | 24.8 | 40.5 | -    | -  | 10 | 14            | ★ 153107 | QST- <sup>1</sup> / <sub>8</sub> -6     | 10                                      |    |
|                               |                               |             |      |      |      |      |      |      |      |    |    |               | 130794   | QST- <sup>1</sup> / <sub>8</sub> -6-100 | 100                                     |    |
| R <sup>1</sup> / <sub>8</sub> | 6                             | 8           | 14.5 | -    | 24   | 8    | 27.3 | 45.4 | -    | -  | 12 | 19            | ★ 153109 | QST- <sup>1</sup> / <sub>8</sub> -8     | 10                                      |    |
|                               |                               |             |      |      |      |      |      |      |      |    |    |               | 130795   | QST- <sup>1</sup> / <sub>8</sub> -8-50  | 50                                      |    |
| R <sup>1</sup> / <sub>4</sub> | 6                             | 10          | 17.5 | -    | 25   | 8    | 29.8 | 51   | -    | -  | 12 | 25            | ★ 190667 | QST- <sup>1</sup> / <sub>8</sub> -10    | 10                                      |    |
|                               | R <sup>1</sup> / <sub>4</sub> | 2.8         | 4    | 10   | -    | 29   | 11   | 28   | 41.4 | -  | -  | 14            | 20       | ★ 190668                                | QST- <sup>1</sup> / <sub>4</sub> -4     | 10 |
|                               |                               | 4.3         | 6    | 12.5 | -    | 28   | 11   | 28.2 | 43.5 | -  | -  | 14            | 22       | ★ 153108                                | QST- <sup>1</sup> / <sub>4</sub> -6     | 10 |
|                               |                               |             |      |      |      |      |      |      |      |    |    |               | 130796   | QST- <sup>1</sup> / <sub>4</sub> -6-100 | 100                                     |    |
|                               | R <sup>1</sup> / <sub>4</sub> | 6.7         | 8    | 14.5 | -    | 28   | 11   | 29.2 | 47.4 | -  | -  | 14            | 25       | ★ 153110                                | QST- <sup>1</sup> / <sub>4</sub> -8     | 10 |
|                               |                               |             |      |      |      |      |      |      |      |    |    |               |          | 130797                                  | QST- <sup>1</sup> / <sub>4</sub> -8-50  | 50 |
| R <sup>1</sup> / <sub>4</sub> | 8                             | 10          | 17.5 | -    | 28.5 | 11   | 31.2 | 52   | -    | -  | 14 | 31            | ★ 153112 | QST- <sup>1</sup> / <sub>4</sub> -10    | 10                                      |    |
|                               |                               |             |      |      |      |      |      |      |      |    |    |               | 130798   | QST- <sup>1</sup> / <sub>4</sub> -10-50 | 50                                      |    |
| R <sup>3</sup> / <sub>8</sub> | 8                             | 12          | 21   | -    | 29.8 | 11   | 34.2 | 57.9 | -    | -  | 14 | 38            | ★ 190669 | QST- <sup>1</sup> / <sub>4</sub> -12    | 10                                      |    |
|                               | R <sup>3</sup> / <sub>8</sub> | 4.3         | 6    | 12.5 | -    | 31.5 | 12   | 31.4 | 47.5 | -  | -  | 17            | 33       | ★ 190670                                | QST- <sup>3</sup> / <sub>8</sub> -6     | 10 |
|                               |                               | 6.7         | 8    | 14.5 | -    | 31   | 12   | 31.9 | 49.4 | -  | -  | 17            | 35       | ★ 153111                                | QST- <sup>3</sup> / <sub>8</sub> -8     | 10 |
|                               |                               |             |      |      |      |      |      |      |      |    |    |               | 130799   | QST- <sup>3</sup> / <sub>8</sub> -8-50  | 50                                      |    |
|                               | R <sup>3</sup> / <sub>8</sub> | 8.3         | 10   | 17.5 | -    | 32   | 12   | 34.4 | 54   | -  | -  | 17            | 42       | ★ 153113                                | QST- <sup>3</sup> / <sub>8</sub> -10    | 10 |
|                               |                               |             |      |      |      |      |      |      |      |    |    |               |          | 130800                                  | QST- <sup>3</sup> / <sub>8</sub> -10-20 | 20 |
| R <sup>3</sup> / <sub>8</sub> | 10                            | 12          | 21   | -    | 32.5 | 12   | 36.7 | 59.4 | -    | -  | 17 | 48            | ★ 153114 | QST- <sup>3</sup> / <sub>8</sub> -12    | 10                                      |    |
|                               |                               |             |      |      |      |      |      |      |      |    |    |               | 130801   | QST- <sup>3</sup> / <sub>8</sub> -12-20 | 20                                      |    |
| R <sup>1</sup> / <sub>2</sub> | 11                            | 16          | 25   | 4.2  | 47   | 11   | 53.2 | 66.2 | 24   | 12 | 22 | 89            | ★ 164959 | QST- <sup>3</sup> / <sub>8</sub> -16    | 1                                       |    |
|                               | R <sup>1</sup> / <sub>2</sub> | 8.3         | 10   | 17.5 | -    | 36   | 15   | 36.6 | 55   | -  | -  | 21            | 65       | ★ 190672                                | QST- <sup>1</sup> / <sub>2</sub> -10    | 1  |
|                               |                               | 10.3        | 12   | 21   | -    | 36.5 | 15   | 38.8 | 61.4 | -  | -  | 21            | 72       | ★ 153115                                | QST- <sup>1</sup> / <sub>2</sub> -12    | 1  |
|                               | 13                            | 16          | 25   | 4.2  | 51   | 15   | 55.3 | 66.2 | 24   | 12 | 22 | 93            | ★ 153116 | QST- <sup>1</sup> / <sub>2</sub> -16    | 1                                       |    |

1) Packaging unit quantity

Festo core product range

- ★ Ready for dispatch from the Festo factory in 24 hours
- ☆ Ready for dispatch in 5 days maximum from stock

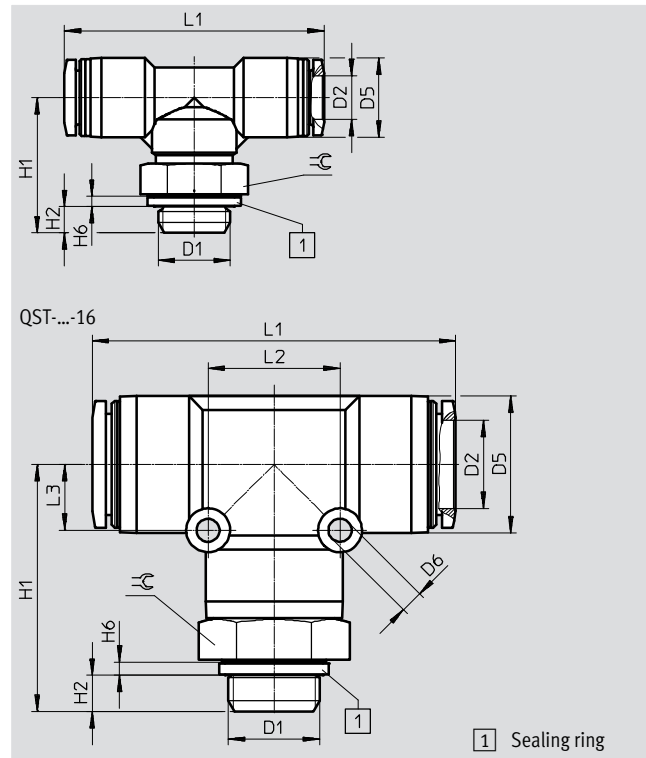
# Push-in fittings QS, standard series

Technical data

## Push-in T-fitting QST

Orientable

Male thread with external hex



| Dimensions and ordering data  |              |             |         |         |      |     |     |      |    |    |    |                         |  |  |                  |
|-------------------------------|--------------|-------------|---------|---------|------|-----|-----|------|----|----|----|-------------------------|--|--|------------------|
| Connection                    | Nominal size | Tubing O.D. | D5<br>∅ | D6<br>∅ | H1   | H2  | H6  | L1   | L2 | L3 |    | Weight/<br>piece<br>[g] | Part No.                                 | Type                                     | PU <sup>1)</sup> |
| D1                            | [mm]         | D2          |         |         |      |     |     |      |    |    |    |                         |  |  |                  |
| G thread with sealing ring    |              |             |         |         |      |     |     |      |    |    |    |                         |  |  |                  |
| G <sup>1</sup> / <sub>8</sub> | 2.8          | 4           | 10      | -       | 21.1 | 4.2 | 1.9 | 37.4 | -  | -  | 13 | 15                      | 186157                                   | QST-G <sup>1</sup> / <sub>8</sub> -4     | 10               |
|                               |              |             |         |         |      |     |     |      |    |    |    |                         | 132066                                   | QST-G <sup>1</sup> / <sub>8</sub> -4-100 | 100              |
|                               | 4.2          | 6           | 12.5    | -       | 21.6 | 4.2 | 1.9 | 40.5 | -  | -  | 13 | 17                      | 186158                                   | QST-G <sup>1</sup> / <sub>8</sub> -6     | 10               |
|                               |              |             |         |         |      |     |     |      |    |    |    |                         | 132067                                   | QST-G <sup>1</sup> / <sub>8</sub> -6-100 | 100              |
|                               | 6            | 8           | 14.5    | -       | 22.1 | 4.2 | 1.9 | 45.4 | -  | -  | 13 | 19                      | 186160                                   | QST-G <sup>1</sup> / <sub>8</sub> -8     | 10               |
|                               |              |             |         |         |      |     |     |      |    |    |    |                         | 132068                                   | QST-G <sup>1</sup> / <sub>8</sub> -8-50  | 50               |
| G <sup>1</sup> / <sub>4</sub> | 4.3          | 6           | 12.5    | -       | 24.7 | 4.8 | 1.9 | 43.5 | -  | -  | 17 | 24                      | 186159                                   | QST-G <sup>1</sup> / <sub>4</sub> -6     | 10               |
|                               |              |             |         |         |      |     |     |      |    |    |    |                         | 132069                                   | QST-G <sup>1</sup> / <sub>4</sub> -6-100 | 100              |
|                               | 6.7          | 8           | 14.5    | -       | 24.7 | 4.8 | 1.9 | 47.4 | -  | -  | 17 | 27                      | 186161                                   | QST-G <sup>1</sup> / <sub>4</sub> -8     | 10               |
|                               |              |             |         |         |      |     |     |      |    |    |    |                         | 132070                                   | QST-G <sup>1</sup> / <sub>4</sub> -8-50  | 50               |
|                               | 8            | 10          | 17.5    | -       | 25.2 | 4.8 | 1.9 | 52   | -  | -  | 17 | 33                      | 186163                                   | QST-G <sup>1</sup> / <sub>4</sub> -10    | 10               |
|                               |              |             |         |         |      |     |     |      |    |    |    |                         | 132071                                   | QST-G <sup>1</sup> / <sub>4</sub> -10-50 | 50               |
| G <sup>3</sup> / <sub>8</sub> | 8            | 12          | 21      | -       | 26.5 | 4.8 | 1.9 | 57.9 | -  | -  | 17 | 43                      | 132597                                   | QST-G <sup>1</sup> / <sub>4</sub> -12    | 1                |
|                               | 6.7          | 8           | 14.5    | -       | 27.2 | 5.8 | 2.4 | 49.4 | -  | -  | 19 | 34                      | 186162                                   | QST-G <sup>3</sup> / <sub>8</sub> -8     | 10               |
|                               |              |             |         |         |      |     |     |      |    |    |    |                         | 132072                                   | QST-G <sup>3</sup> / <sub>8</sub> -8-50  | 50               |
|                               | 8.3          | 10          | 17.5    | -       | 28.2 | 5.8 | 2.4 | 54   | -  | -  | 19 | 41                      | 186164                                   | QST-G <sup>3</sup> / <sub>8</sub> -10    | 10               |
|                               |              |             |         |         |      |     |     |      |    |    |    |                         | 132073                                   | QST-G <sup>3</sup> / <sub>8</sub> -10-20 | 20               |
|                               | 10           | 12          | 21      | -       | 28.7 | 5.8 | 2.4 | 59.4 | -  | -  | 19 | 47                      | 186165                                   | QST-G <sup>3</sup> / <sub>8</sub> -12    | 10               |
|                               |              |             |         |         |      |     |     |      |    |    |    | 132074                  | QST-G <sup>3</sup> / <sub>8</sub> -12-20 | 20                                       |                  |
| G <sup>1</sup> / <sub>2</sub> | 11           | 16          | 25      | 4.2     | 44.2 | 5.8 | 2.4 | 66.2 | 24 | 12 | 24 | 97                      | 186349                                   | QST-G <sup>3</sup> / <sub>8</sub> -16    | 1                |
|                               | 10.3         | 12          | 21      | -       | 32.2 | 6.8 | 2.4 | 61.4 | -  | -  | 24 | 78                      | 186166                                   | QST-G <sup>1</sup> / <sub>2</sub> -12    | 1                |
|                               | 13           | 16          | 25      | 4.2     | 45.2 | 6.8 | 2.4 | 66.2 | 24 | 12 | 24 | 95                      | 186167                                   | QST-G <sup>1</sup> / <sub>2</sub> -16    | 1                |

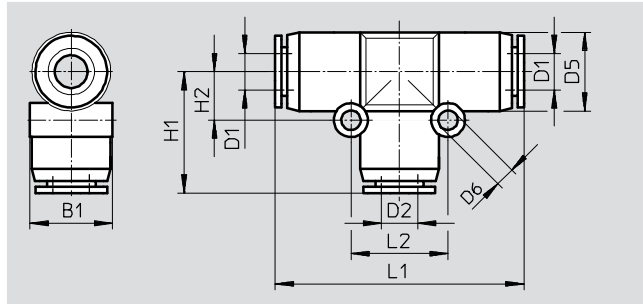
1) Packaging unit quantity

# Push-in fittings QS, standard series

Technical data

FESTO

## Push-in T-connector QST



| Dimensions and ordering data |                      |                   |         |         |      |      |     |      |    |                         |          |              |                  |
|------------------------------|----------------------|-------------------|---------|---------|------|------|-----|------|----|-------------------------|----------|--------------|------------------|
| Tubing O.D.<br>D1            | Nominal size<br>[mm] | Tubing O.D.<br>D2 | D5<br>∅ | D6<br>∅ | B1   | H1   | H2  | L1   | L2 | Weight/<br>piece<br>[g] | Part No. | Type         | PU <sup>1)</sup> |
| 4                            | 2.6                  | 4                 | 10      | 3.2     | 10.4 | 17.2 | 6.5 | 34.4 | 13 | 7.5                     | ★ 153128 | QST-4        | 10               |
|                              |                      |                   |         |         |      |      |     |      |    |                         | 130802   | QST-4-100    | 100              |
| 6                            | 4                    | 6                 | 13      | 3.2     | 13.5 | 20.1 | 8   | 40.2 | 16 | 11                      | ★ 153129 | QST-6        | 10               |
|                              |                      |                   |         |         |      |      |     |      |    |                         | 130803   | QST-6-100    | 100              |
| 8                            | 5                    | 8                 | 15      | 3.2     | 15.6 | 22.2 | 9   | 44.4 | 18 | 16                      | ★ 153130 | QST-8        | 10               |
|                              |                      |                   |         |         |      |      |     |      |    |                         | 130804   | QST-8-50     | 50               |
| 10                           | 6.7                  | 10                | 17.5    | 4.2     | 18.2 | 25.2 | 12  | 50.4 | 24 | 25                      | ★ 153131 | QST-10       | 10               |
|                              |                      |                   |         |         |      |      |     |      |    |                         | 130805   | QST-10-50    | 50               |
| 12                           | 8.7                  | 12                | 21      | 4.2     | 21.7 | 28.4 | 14  | 56.8 | 28 | 36                      | ★ 153132 | QST-12       | 10               |
|                              |                      |                   |         |         |      |      |     |      |    |                         | 130806   | QST-12-20    | 20               |
| 16                           | 10.7                 | 16                | 25      | 4.2     | 25.6 | 33.1 | 12  | 66.2 | 24 | 44                      | ★ 153133 | QST-16       | 1                |
| Reducing                     |                      |                   |         |         |      |      |     |      |    |                         |          |              |                  |
| 6                            | 2.3                  | 4                 | 13      | 3.2     | 13   | 19.5 | 8   | 40.1 | 16 | 11                      | ★ 153134 | QST-6-4      | 10               |
|                              |                      |                   |         |         |      |      |     |      |    |                         | 130820   | QST-6-4-100  | 100              |
| 8                            | 2.3                  | 4                 | 14.5    | 3.2     | 15,1 | 21.7 | 9   | 44.4 | 18 | 14                      | ★ 130613 | QST-8-4      | 10               |
|                              | 3.5                  | 6                 | 14.5    | 3.2     | 15,1 | 22.3 | 9   | 44.4 | 18 | 14                      | ★ 153135 | QST-8-6      | 10               |
|                              |                      |                   |         |         |      |      |     |      |    |                         | 130821   | QST-8-6-50   | 50               |
| 10                           | 3.7                  | 6                 | 17.5    | 4.2     | 18,2 | 25   | 12  | 50.4 | 24 | 22                      | ★ 130614 | QST-10-6     | 10               |
|                              | 4.9                  | 8                 | 17.5    | 4.2     | 18,2 | 24.9 | 12  | 50.4 | 24 | 23                      | ★ 153136 | QST-10-8     | 10               |
|                              |                      |                   |         |         |      |      |     |      |    |                         | 130822   | QST-10-8-50  | 50               |
| 12                           | 5.1                  | 8                 | 21      | 4.2     | 21,7 | 27.7 | 14  | 56.8 | 28 | 32                      | ★ 130615 | QST-12-8     | 10               |
|                              | 6.1                  | 10                | 21      | 4.2     | 21,7 | 28   | 14  | 56.8 | 28 | 34                      | ★ 153137 | QST-12-10    | 10               |
|                              |                      |                   |         |         |      |      |     |      |    |                         | 130823   | QST-12-10-20 | 20               |
| 16                           | 7.6                  | 12                | 25      | 4.2     | 25,7 | 33.2 | 12  | 66.2 | 24 | 45                      | ★ 130616 | QST-16-12    | 1                |

1) Packaging unit quantity

Festo core product range

- ★ Ready for dispatch from the Festo factory in 24 hours
- ☆ Ready for dispatch in 5 days maximum from stock

# Push-in fittings QS, standard series

Technical data

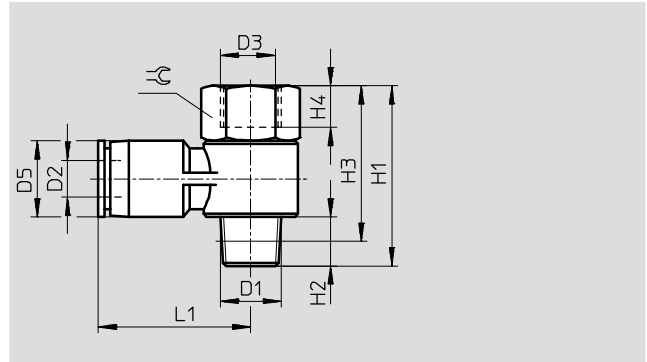
## Push-in T-fitting QSTF

Orientable

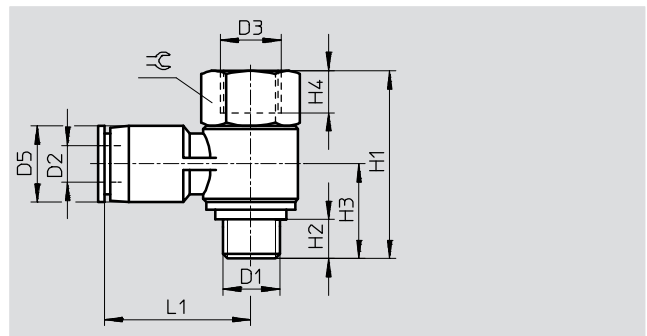
Male and female thread with external hex



R thread



G thread



| Dimensions and ordering data      |                   |                |                               |      |      |     |      |      |      |    |                   |          |   |                  |
|-----------------------------------|-------------------|----------------|-------------------------------|------|------|-----|------|------|------|----|-------------------|----------|---|------------------|
| Connection                        | Nominal size [mm] | Tubing O.D. D2 | D3 Ø                          | D5 Ø | H1   | H2  | H3   | H4   | L1   | ⌀  | Weight/ piece [g] | Part No. | Type                                    | PU <sup>1)</sup> |
| <b>R thread</b>                   |                   |                |                               |      |      |     |      |      |      |    |                   |          |   |                  |
| R <sup>1</sup> / <sub>8</sub>     | 2.5               | 4              | G <sup>1</sup> / <sub>8</sub> | 10   | 32.5 | 8   | 28.5 | 7    | 22.2 | 14 | 22                | 153182   | QSTF- <sup>1</sup> / <sub>8</sub> -4-B  | 1                |
|                                   | 3.3               | 6              | G <sup>1</sup> / <sub>8</sub> | 12.5 | 32.5 | 8   | 28.5 | 7    | 24.2 | 14 | 23                | 153183   | QSTF- <sup>1</sup> / <sub>8</sub> -6-B  | 1                |
|                                   | 3.6               | 8              | G <sup>1</sup> / <sub>8</sub> | 14.5 | 32.5 | 8   | 28.5 | 7    | 26.2 | 14 | 25                | 153185   | QSTF- <sup>1</sup> / <sub>8</sub> -8-B  | 1                |
| R <sup>1</sup> / <sub>4</sub>     | 3.6               | 6              | G <sup>1</sup> / <sub>4</sub> | 12.5 | 38.5 | 11  | 32.5 | 9    | 26.8 | 17 | 37                | 153184   | QSTF- <sup>1</sup> / <sub>4</sub> -6-B  | 1                |
|                                   | 4.4               | 8              | G <sup>1</sup> / <sub>4</sub> | 14.5 | 38.5 | 11  | 32.5 | 9    | 28.2 | 17 | 39                | 153186   | QSTF- <sup>1</sup> / <sub>4</sub> -8-B  | 1                |
|                                   | 4.4               | 10             | G <sup>1</sup> / <sub>4</sub> | 18   | 38.5 | 11  | 32.5 | 9    | 30.5 | 17 | 42                | 153188   | QSTF- <sup>1</sup> / <sub>4</sub> -10-B | 1                |
| R <sup>3</sup> / <sub>8</sub>     | 4.9               | 8              | G <sup>3</sup> / <sub>8</sub> | 14.5 | 44.5 | 12  | 38.2 | 11   | 30.2 | 21 | 61                | 153187   | QSTF- <sup>3</sup> / <sub>8</sub> -8-B  | 1                |
|                                   | 5.6               | 10             | G <sup>3</sup> / <sub>8</sub> | 18   | 44.5 | 12  | 38.2 | 11   | 32.5 | 21 | 64                | 153189   | QSTF- <sup>3</sup> / <sub>8</sub> -10-B | 1                |
|                                   | 6                 | 12             | G <sup>3</sup> / <sub>8</sub> | 21   | 44.5 | 12  | 38.2 | 11   | 35.2 | 21 | 67                | 153190   | QSTF- <sup>3</sup> / <sub>8</sub> -12-B | 1                |
| R <sup>1</sup> / <sub>2</sub>     | 7.4               | 12             | G <sup>1</sup> / <sub>2</sub> | 21   | 52.2 | 13  | 44   | 14   | 38.2 | 24 | 101               | 153191   | QSTF- <sup>1</sup> / <sub>2</sub> -12-B | 1                |
| <b>G thread with sealing ring</b> |                   |                |                               |      |      |     |      |      |      |    |                   |          |   |                  |
| G <sup>1</sup> / <sub>8</sub>     | 2.4               | 4              | G <sup>1</sup> / <sub>8</sub> | 10   | 26   | 5.1 | 13.8 | 7    | 23.4 | 14 | 20                | 186199   | QSTF-G <sup>1</sup> / <sub>8</sub> -4   | 1                |
|                                   | 3.2               | 6              | G <sup>1</sup> / <sub>8</sub> | 12.4 | 26   | 5.1 | 14.1 | 7    | 25.5 | 14 | 21                | 186200   | QSTF-G <sup>1</sup> / <sub>8</sub> -6   | 1                |
|                                   | 3.7               | 8              | G <sup>1</sup> / <sub>8</sub> | 14.4 | 26   | 5.1 | 15.1 | 7    | 28.4 | 14 | 23                | 186202   | QSTF-G <sup>1</sup> / <sub>8</sub> -8   | 1                |
| G <sup>1</sup> / <sub>4</sub>     | 3.7               | 6              | G <sup>1</sup> / <sub>4</sub> | 12.4 | 33.2 | 5.6 | 16   | 9    | 29   | 19 | 43                | 186201   | QSTF-G <sup>1</sup> / <sub>4</sub> -6   | 1                |
|                                   | 4.4               | 8              | G <sup>1</sup> / <sub>4</sub> | 14.4 | 33.2 | 5.6 | 16   | 9    | 28.9 | 19 | 44                | 186203   | QSTF-G <sup>1</sup> / <sub>4</sub> -8   | 1                |
|                                   | 4.9               | 10             | G <sup>1</sup> / <sub>4</sub> | 17.6 | 33.2 | 5.6 | 17.3 | 9    | 31.2 | 19 | 47                | 186205   | QSTF-G <sup>1</sup> / <sub>4</sub> -10  | 1                |
| G <sup>3</sup> / <sub>8</sub>     | 4.9               | 8              | G <sup>3</sup> / <sub>8</sub> | 14.4 | 38.1 | 6.6 | 19.2 | 10.5 | 31   | 24 | 71                | 186204   | QSTF-G <sup>3</sup> / <sub>8</sub> -8   | 1                |
|                                   | 5.8               | 10             | G <sup>3</sup> / <sub>8</sub> | 17.6 | 38.1 | 6.6 | 19.2 | 10.5 | 33.6 | 24 | 74                | 186206   | QSTF-G <sup>3</sup> / <sub>8</sub> -10  | 1                |
|                                   | 6                 | 12             | G <sup>3</sup> / <sub>8</sub> | 21   | 38.1 | 6.6 | 20.9 | 10.5 | 36.4 | 24 | 77                | 186207   | QSTF-G <sup>3</sup> / <sub>8</sub> -12  | 1                |
| G <sup>1</sup> / <sub>2</sub>     | 7                 | 12             | G <sup>1</sup> / <sub>2</sub> | 21   | 42.8 | 7.6 | 21.9 | 13   | 37.9 | 27 | 99                | 186208   | QSTF-G <sup>1</sup> / <sub>2</sub> -12  | 1                |

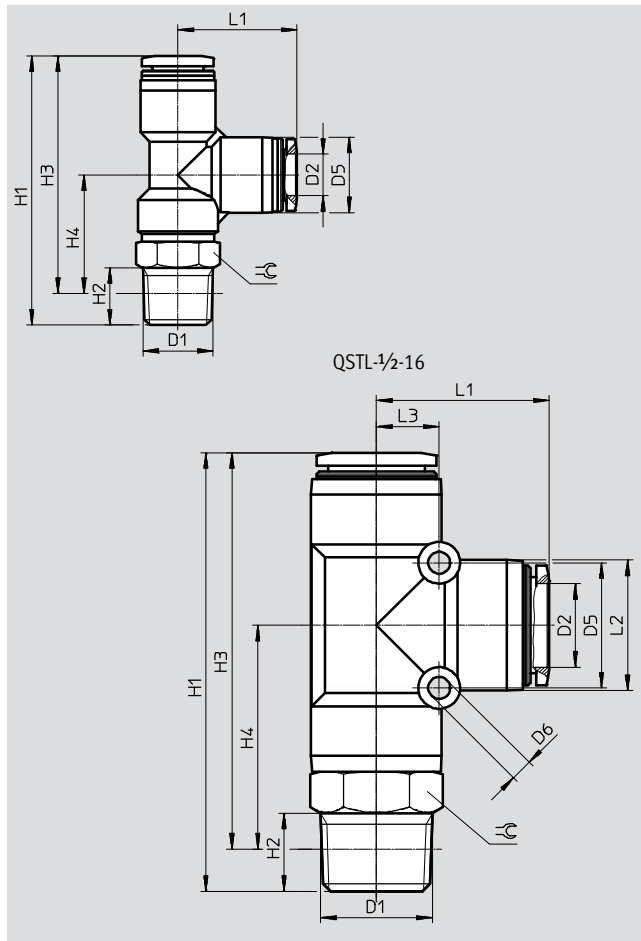
1) Packaging unit quantity

# Push-in fittings QS, standard series



Technical data

**Push-in T-fitting QSTL**  
 Orientable  
 Male thread with external hex



| Dimensions and ordering data  |              |             |      |     |      |    |      |      |      |    |    |    |               |          |  |                  |
|-------------------------------|--------------|-------------|------|-----|------|----|------|------|------|----|----|----|---------------|----------|--|------------------|
| Connection                    | Nominal size | Tubing O.D. | D5   | D6  | H1   | H2 | H3   | H4   | L1   | L2 | L3 | ⌀  | Weight/ piece | Part No. | Type                                     | PU <sup>1)</sup> |
| D1                            | [mm]         | D2          | ∅    | ∅   |      |    |      |      |      |    |    |    | [g]           |          |  |                  |
| <b>R thread</b>               |              |             |      |     |      |    |      |      |      |    |    |    |               |          |  |                  |
| R <sup>1</sup> / <sub>8</sub> | 2.8          | 4           | 10   | –   | 40.2 | 8  | 36.2 | 19   | 17.2 | –  | –  | 10 | 13            | ★ 153117 | QSTL- <sup>1</sup> / <sub>8</sub> -4     | 10               |
|                               |              |             |      |     |      |    |      |      |      |    |    |    |               | 130824   | QSTL- <sup>1</sup> / <sub>8</sub> -4-100 | 100              |
|                               | 4.3          | 6           | 12.5 | –   | 43.3 | 8  | 39.3 | 18.8 | 20.5 | –  | –  | 10 | 14            | ★ 153118 | QSTL- <sup>1</sup> / <sub>8</sub> -6     | 10               |
|                               |              |             |      |     |      |    |      |      |      |    |    |    |               | 130825   | QSTL- <sup>1</sup> / <sub>8</sub> -6-100 | 100              |
| R <sup>1</sup> / <sub>4</sub> | 6            | 8           | 14.5 | –   | 46.9 | 8  | 42.9 | 20   | 22.9 | –  | –  | 12 | 19            | ★ 153120 | QSTL- <sup>1</sup> / <sub>8</sub> -8     | 10               |
|                               |              |             |      |     |      |    |      |      |      |    |    |    |               | 130826   | QSTL- <sup>1</sup> / <sub>8</sub> -8-50  | 50               |
|                               | 4.3          | 6           | 12.5 | –   | 48.8 | 11 | 42.7 | 22.2 | 20.5 | –  | –  | 14 | 22            | ★ 153119 | QSTL- <sup>1</sup> / <sub>4</sub> -6     | 10               |
|                               |              |             |      |     |      |    |      |      |      |    |    |    |               | 130827   | QSTL- <sup>1</sup> / <sub>4</sub> -6-100 | 100              |
| R <sup>3</sup> / <sub>8</sub> | 6.7          | 8           | 14.5 | –   | 51.7 | 11 | 45.7 | 22.8 | 22.9 | –  | –  | 14 | 25            | ★ 153121 | QSTL- <sup>1</sup> / <sub>4</sub> -8     | 10               |
|                               |              |             |      |     |      |    |      |      |      |    |    |    |               | 130828   | QSTL- <sup>1</sup> / <sub>4</sub> -8-50  | 50               |
|                               | 8            | 10          | 17.5 | –   | 54.7 | 11 | 48.7 | 22.5 | 26.2 | –  | –  | 14 | 31            | ★ 153123 | QSTL- <sup>1</sup> / <sub>4</sub> -10    | 10               |
|                               |              |             |      |     |      |    |      |      |      |    |    |    |               | 130829   | QSTL- <sup>1</sup> / <sub>4</sub> -10-50 | 50               |
| R <sup>3</sup> / <sub>8</sub> | 6.7          | 8           | 14.5 | –   | 55.4 | 12 | 49.1 | 26.2 | 22.9 | –  | –  | 17 | 35            | ★ 153122 | QSTL- <sup>3</sup> / <sub>8</sub> -8     | 10               |
|                               | 8.3          | 10          | 17.5 | –   | 58.2 | 12 | 51.9 | 25.7 | 26.2 | –  | –  | 17 | 42            | ★ 153124 | QSTL- <sup>3</sup> / <sub>8</sub> -10    | 10               |
|                               | 10           | 12          | 21   | –   | 63.5 | 12 | 57.2 | 26.7 | 30.5 | –  | –  | 17 | 48            | ★ 153125 | QSTL- <sup>3</sup> / <sub>8</sub> -12    | 10               |
| R <sup>1</sup> / <sub>2</sub> | 10.3         | 12          | 21   | –   | 67.5 | 15 | 59.3 | 28.8 | 30.7 | –  | –  | 21 | 72            | ★ 153126 | QSTL- <sup>1</sup> / <sub>2</sub> -12    | 1                |
|                               | 13           | 16          | 25   | 4.2 | 84.1 | 15 | 75.9 | 42.8 | 33.1 | 24 | 12 | 22 | 93            | ★ 153127 | QSTL- <sup>1</sup> / <sub>2</sub> -16    | 1                |

1) Packaging unit quantity

Festo core product range

- ★ Ready for dispatch from the Festo factory in 24 hours
- ☆ Ready for dispatch in 5 days maximum from stock

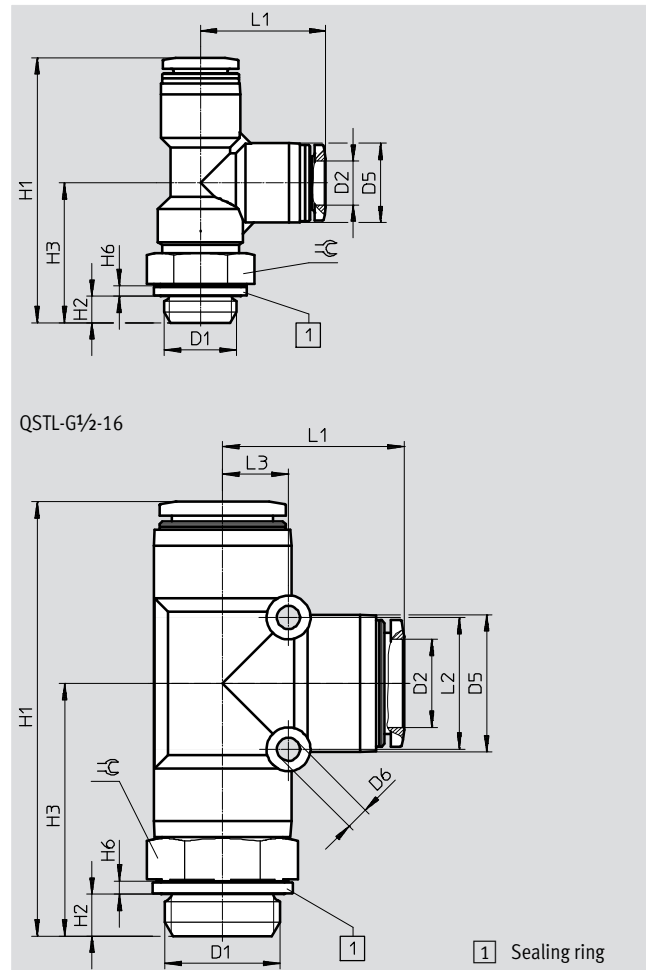
# Push-in fittings QS, standard series

Technical data

## Push-in T-fitting QSTL

Orientable

Male thread with external hex



| Dimensions and ordering data |                   |                |                  |                  |      |     |      |     |      |    |    |           |                   |                            |                             |                  |  |
|------------------------------|-------------------|----------------|------------------|------------------|------|-----|------|-----|------|----|----|-----------|-------------------|----------------------------|-----------------------------|------------------|--|
| Connection                   | Nominal size [mm] | Tubing O.D. D2 | D5 $\varnothing$ | D6 $\varnothing$ | H1   | H2  | H3   | H6  | L1   | L2 | L3 | $\approx$ | Weight/ piece [g] | Part No.                   | Type                        | PU <sup>1)</sup> |  |
| G thread with sealing ring   |                   |                |                  |                  |      |     |      |     |      |    |    |           |                   |                            |                             |                  |  |
| G $\frac{1}{8}$              | 2.8               | 4              | 10               | -                | 39.3 | 4.2 | 22.1 | 1.9 | 17.2 | -  | -  | 13        | 15                | 186168                     | QSTL-G $\frac{1}{8}$ -4     | 10               |  |
|                              |                   |                |                  |                  |      |     |      |     |      |    |    |           |                   | 132075                     | QSTL-G $\frac{1}{8}$ -4-100 | 100              |  |
|                              | 4.3               | 6              | 12.5             | -                | 42.4 | 4.2 | 21.9 | 1.9 | 20.5 | -  | -  | 13        | 17                | 186169                     | QSTL-G $\frac{1}{8}$ -6     | 10               |  |
|                              |                   |                |                  |                  |      |     |      |     |      |    |    |           |                   | 132076                     | QSTL-G $\frac{1}{8}$ -6-100 | 100              |  |
|                              | 6                 | 8              | 14.5             | -                | 45   | 4.2 | 22.1 | 1.9 | 22.9 | -  | -  | 13        | 19                | 186171                     | QSTL-G $\frac{1}{8}$ -8     | 10               |  |
|                              |                   |                |                  |                  |      |     |      |     |      |    |    |           | 132077            | QSTL-G $\frac{1}{8}$ -8-50 | 50                          |                  |  |
| G $\frac{1}{4}$              | 4.3               | 6              | 12.5             | -                | 45.5 | 4.8 | 25   | 1.9 | 20.5 | -  | -  | 17        | 24                | 186170                     | QSTL-G $\frac{1}{4}$ -6     | 10               |  |
|                              |                   |                |                  |                  |      |     |      |     |      |    |    |           |                   | 132078                     | QSTL-G $\frac{1}{4}$ -6-100 | 100              |  |
|                              | 6.7               | 8              | 14.5             | -                | 48.4 | 4.8 | 25.5 | 1.9 | 22.9 | -  | -  | 17        | 27                | 186172                     | QSTL-G $\frac{1}{4}$ -8     | 10               |  |
|                              |                   |                |                  |                  |      |     |      |     |      |    |    |           |                   | 132079                     | QSTL-G $\frac{1}{4}$ -8-50  | 50               |  |
|                              | 8                 | 10             | 17.5             | -                | 51.4 | 4.8 | 25.2 | 1.9 | 26.2 | -  | -  | 17        | 33                | 186174                     | QSTL-G $\frac{1}{4}$ -10    | 10               |  |
|                              |                   |                |                  |                  |      |     |      |     |      |    |    |           |                   | 132080                     | QSTL-G $\frac{1}{4}$ -10-50 | 50               |  |
| G $\frac{3}{8}$              | 6.7               | 8              | 14.5             | -                | 51.6 | 5.8 | 28.7 | 2.4 | 22.9 | -  | -  | 19        | 34                | 186173                     | QSTL-G $\frac{3}{8}$ -8     | 10               |  |
|                              | 8.3               | 10             | 17.5             | -                | 54.4 | 5.8 | 28.2 | 2.4 | 26.2 | -  | -  | 19        | 41                | 186175                     | QSTL-G $\frac{3}{8}$ -10    | 10               |  |
|                              | 10                | 12             | 21               | -                | 59.7 | 5.8 | 29.2 | 2.4 | 30.5 | -  | -  | 19        | 48                | 186176                     | QSTL-G $\frac{3}{8}$ -12    | 10               |  |
| G $\frac{1}{2}$              | 10.3              | 12             | 21               | -                | 63.2 | 6.8 | 32.7 | 2.4 | 30.7 | -  | -  | 24        | 78                | 186177                     | QSTL-G $\frac{1}{2}$ -12    | 1                |  |
|                              | 13                | 16             | 25               | 4.2              | 78.3 | 6.8 | 45.2 | 2.4 | 33.1 | 24 | 12 | 24        | 89                | 186178                     | QSTL-G $\frac{1}{2}$ -16    | 1                |  |

1) Packaging unit quantity

# Push-in fittings QS, standard series

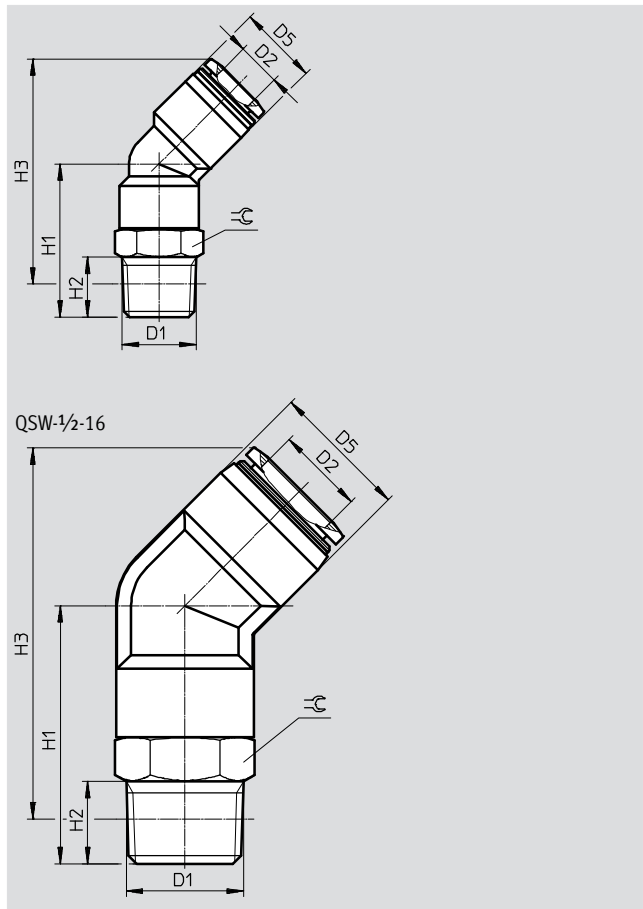
Technical data



## Push-in angled fitting QSW

Orientable

Male thread with external hex



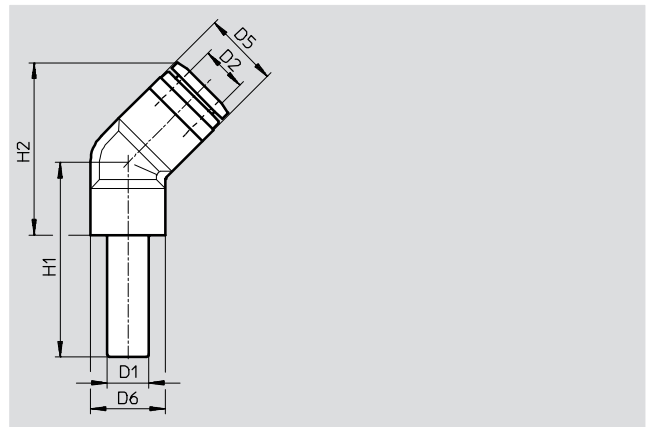
| Dimensions and ordering data |              |             |      |      |    |      |    |               |          |            |                  |
|------------------------------|--------------|-------------|------|------|----|------|----|---------------|----------|------------|------------------|
| Connection                   | Nominal size | Tubing O.D. | D5   | H1   | H2 | H3   | ≅  | Weight/ piece | Part No. | Type       | PU <sup>1)</sup> |
| D1                           | mm]          | D2          |      |      |    |      |    | [g]           |          |            |                  |
| R thread                     |              |             |      |      |    |      |    |               |          |            |                  |
| R1/8                         | 2.5          | 4           | 8    | 14.8 | 8  | 23   | 10 | 6.1           | 130596   | QSW-1/8-4  | 10               |
|                              | 3.3          | 6           | 10.5 | 16.4 | 8  | 25.3 | 10 | 6.8           | 130597   | QSW-1/8-6  | 10               |
|                              | 6            | 8           | 14.5 | 24   | 8  | 39.2 | 12 | 14            | 130598   | QSW-1/8-8  | 10               |
| R1/4                         | 3.3          | 6           | 10.5 | 21.4 | 11 | 28.2 | 14 | 17.9          | 130599   | QSW-1/4-6  | 10               |
|                              | 6.7          | 8           | 14.5 | 28   | 11 | 41.2 | 14 | 20            | 130600   | QSW-1/4-8  | 10               |
|                              | 8            | 10          | 17.5 | 28.5 | 11 | 44.9 | 14 | 23            | 130601   | QSW-1/4-10 | 10               |
| R3/8                         | 8.3          | 10          | 17.5 | 33   | 12 | 49.1 | 17 | 35            | 130602   | QSW-3/8-10 | 10               |
|                              | 9.5          | 12          | 21   | 32.5 | 12 | 53.2 | 17 | 38            | 130603   | QSW-3/8-12 | 10               |
| R1/2                         | 10.3         | 12          | 21   | 36.5 | 15 | 55.4 | 21 | 61            | 130604   | QSW-1/2-12 | 1                |
|                              | 13           | 16          | 25   | 47   | 15 | 67.6 | 22 | 78            | 130605   | QSW-1/2-16 | 1                |

1) Packaging unit quantity

# Push-in fittings QS, standard series

Technical data

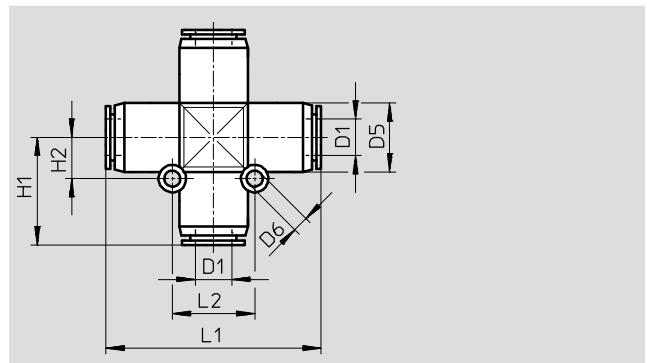
Push-in angled connector QSW-...HL  
with push-in sleeve



| Dimensions and ordering data |                   |                |      |    |      |      |                   |          |          |                  |
|------------------------------|-------------------|----------------|------|----|------|------|-------------------|----------|----------|------------------|
| Push-in sleeve Ø D1          | Nominal size [mm] | Tubing O.D. D2 | D5   | D6 | H1   | H2   | Weight/ piece [g] | Part No. | Type     | PU <sup>1)</sup> |
| 4                            | 2                 | 4              | 8    | 8  | 21.8 | 15   | 1.4               | 130617   | QSW-4HL  | 10               |
| 6                            | 2.7               | 6              | 10.5 | 8  | 24.6 | 17.3 | 2.1               | 130618   | QSW-6HL  | 10               |
| 8                            | 5                 | 8              | 14.5 | 10 | 28.5 | 25.7 | 5.8               | 130619   | QSW-8HL  | 10               |
| 10                           | 6.3               | 10             | 17.5 | 11 | 31.5 | 30.5 | 9.5               | 130620   | QSW-10HL | 10               |
| 12                           | 7.9               | 12             | 21   | 14 | 35.5 | 36.3 | 14.5              | 130621   | QSW-12HL | 10               |

1) Packaging unit quantity

Push-in X-connector QSX



| Dimensions and ordering data |                   |      |      |      |    |    |    |                   |          |        |                  |
|------------------------------|-------------------|------|------|------|----|----|----|-------------------|----------|--------|------------------|
| Tubing O.D. D1               | Nominal size [mm] | D5 Ø | D6 Ø | H1   | H2 | L1 | L2 | Weight/ piece [g] | Part No. | Type   | PU <sup>1)</sup> |
| 8                            | 4.7               | 15   | 3.5  | 23.5 | 9  | 47 | 18 | 20                | 153285   | QSX-8  | 10               |
| 10                           | 6.1               | 17.5 | 4.5  | 27.5 | 11 | 55 | 22 | 32                | 153286   | QSX-10 | 10               |
| 12                           | 7.5               | 21   | 4.5  | 31   | 12 | 62 | 24 | 46                | 153287   | QSX-12 | 10               |

1) Packaging unit quantity

## Push-in fittings QS, standard series

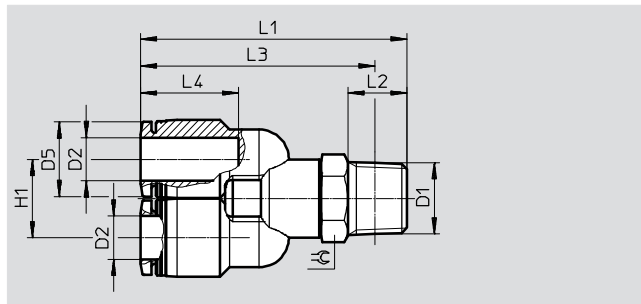
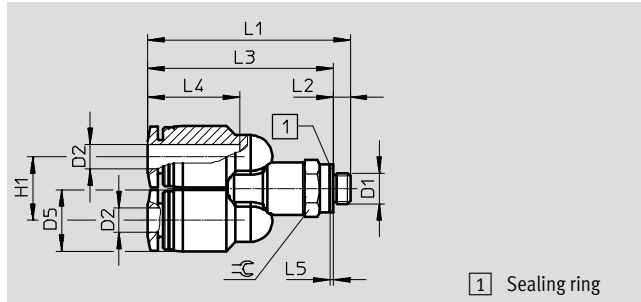
Technical data

**FESTO**

### Push-in Y-fitting QSY

Orientable

Male thread with external hex



| Dimensions and ordering data    |              |             |      |      |      |     |      |      |     |    |               |          |                                      |                  |
|---------------------------------|--------------|-------------|------|------|------|-----|------|------|-----|----|---------------|----------|--------------------------------------|------------------|
| Connection                      | Nominal size | Tubing O.D. | D5   | H1   | L1   | L2  | L3   | L4   | L5  | ≡  | Weight/ piece | Part No. | Type                                 | PU <sup>1)</sup> |
| D1                              | [mm]         | D2          | ∅    |      |      |     |      |      |     |    | [g]           |          |                                      |                  |
| Metric thread with sealing ring |              |             |      |      |      |     |      |      |     |    |               |          |                                      |                  |
| M5                              | 2.4          | 4           | 10   | 10.3 | 32.9 | 2.8 | 30.1 | 14.9 | 0.5 | 8  | 8             | ★ 190673 | QSY-M5-4                             | 10               |
|                                 | 2.4          | 6           | 12.5 | 12.5 | 38.3 | 2.8 | 35.5 | 17   | 0.5 | 10 | 13            | ★ 190674 | QSY-M5-6                             | 10               |
| R thread                        |              |             |      |      |      |     |      |      |     |    |               |          |                                      |                  |
| R <sup>1</sup> / <sub>8</sub>   | 3.1          | 4           | 10   | 10.3 | 38.4 | 8   | 34.4 | 14.9 | -   | 10 | 13            | ★ 153138 | QSY- <sup>1</sup> / <sub>8</sub> -4  | 10               |
|                                 | 4.2          | 6           | 12.5 | 12.5 | 41.3 | 8   | 37.3 | 17   | -   | 10 | 15            | ★ 153139 | QSY- <sup>1</sup> / <sub>8</sub> -6  | 10               |
|                                 | 5.9          | 8           | 14.5 | 14.5 | 46.1 | 8   | 42.1 | 18.1 | -   | 12 | 20            | ★ 153141 | QSY- <sup>1</sup> / <sub>8</sub> -8  | 10               |
| R <sup>1</sup> / <sub>4</sub>   | 3.3          | 4           | 10   | 10.3 | 43.4 | 11  | 37.4 | 14.9 | -   | 14 | 20            | ★ 190675 | QSY- <sup>1</sup> / <sub>4</sub> -4  | 10               |
|                                 | 4.8          | 6           | 12.5 | 12.5 | 48.3 | 11  | 42.2 | 17   | -   | 14 | 22            | ★ 153140 | QSY- <sup>1</sup> / <sub>4</sub> -6  | 10               |
|                                 | 6.2          | 8           | 14.5 | 14.5 | 49.3 | 11  | 43.3 | 18.1 | -   | 14 | 25            | ★ 153142 | QSY- <sup>1</sup> / <sub>4</sub> -8  | 10               |
|                                 | 7.2          | 10          | 17.5 | 17.5 | 53.6 | 11  | 47.6 | 20.2 | -   | 14 | 32            | ★ 153144 | QSY- <sup>1</sup> / <sub>4</sub> -10 | 10               |
| R <sup>3</sup> / <sub>8</sub>   | 6.6          | 8           | 14.5 | 14.5 | 52.5 | 12  | 46.2 | 18.1 | -   | 17 | 36            | ★ 153143 | QSY- <sup>3</sup> / <sub>8</sub> -8  | 10               |
|                                 | 7.4          | 10          | 17.5 | 17.5 | 56.7 | 12  | 50.4 | 20.2 | -   | 17 | 43            | ★ 153145 | QSY- <sup>3</sup> / <sub>8</sub> -10 | 10               |
|                                 | 8.4          | 12          | 21   | 21   | 60.6 | 12  | 54.3 | 23.4 | -   | 17 | 51            | ★ 153146 | QSY- <sup>3</sup> / <sub>8</sub> -12 | 10               |
| R <sup>1</sup> / <sub>2</sub>   | 7.8          | 10          | 17.5 | 17.5 | 60.2 | 15  | 52   | 20.2 | -   | 21 | 66            | 133196   | QSY- <sup>1</sup> / <sub>2</sub> -10 | 1                |
|                                 | 8.3          | 12          | 21   | 21   | 64.7 | 15  | 56.5 | 23.4 | -   | 21 | 74            | ★ 153147 | QSY- <sup>1</sup> / <sub>2</sub> -12 | 1                |

1) Packaging unit quantity

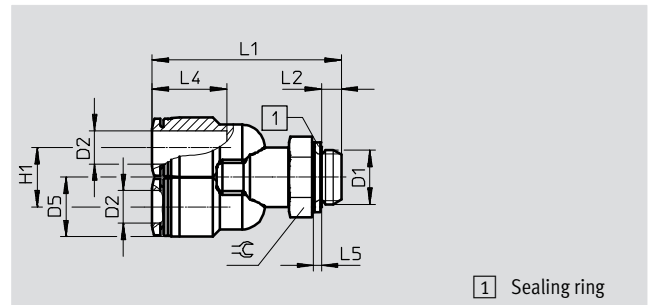
# Push-in fittings QS, standard series

Technical data

## Push-in Y-fitting QSY

Orientable

Male thread with external hex



| Dimensions and ordering data  |                   |                |      |      |      |     |      |     |    |                   |               |  |                  |
|-------------------------------|-------------------|----------------|------|------|------|-----|------|-----|----|-------------------|---------------|--|------------------|
| Connection                    | Nominal size [mm] | Tubing O.D. D2 | D5 Ø | H1   | L1   | L2  | L4   | L5  | ⌀  | Weight/ piece [g] | Part No.      | Type                                     | PU <sup>1)</sup> |
| G thread with sealing ring    |                   |                |      |      |      |     |      |     |    |                   |               |  |                  |
| G <sup>1</sup> / <sub>8</sub> | 3.1               | 4              | 10   | 10.3 | 37.5 | 4.2 | 14.9 | 1.9 | 13 | 15                | <b>186179</b> | <b>QSY-G<sup>1</sup>/<sub>8</sub>-4</b>  | <b>10</b>        |
|                               | 4.2               | 6              | 12.5 | 12.5 | 40.4 | 4.2 | 17   | 1.9 | 13 | 17                | <b>186180</b> | <b>QSY-G<sup>1</sup>/<sub>8</sub>-6</b>  | <b>10</b>        |
|                               | 5.9               | 8              | 14.5 | 14.5 | 44.2 | 4.2 | 18.1 | 1.9 | 13 | 20                | <b>186182</b> | <b>QSY-G<sup>1</sup>/<sub>8</sub>-8</b>  | <b>10</b>        |
| G <sup>1</sup> / <sub>4</sub> | 4.8               | 6              | 12.5 | 12.5 | 45   | 4.8 | 17   | 1.9 | 17 | 25                | <b>186181</b> | <b>QSY-G<sup>1</sup>/<sub>4</sub>-6</b>  | <b>10</b>        |
|                               | 6.2               | 8              | 14.5 | 14.5 | 46   | 4.8 | 18.1 | 1.9 | 17 | 28                | <b>186183</b> | <b>QSY-G<sup>1</sup>/<sub>4</sub>-8</b>  | <b>10</b>        |
|                               | 7.2               | 10             | 17.5 | 17.5 | 50.3 | 4.8 | 20.2 | 1.9 | 17 | 35                | <b>186185</b> | <b>QSY-G<sup>1</sup>/<sub>4</sub>-10</b> | <b>10</b>        |
| G <sup>3</sup> / <sub>8</sub> | 6.6               | 8              | 14.5 | 14.5 | 48.7 | 5.8 | 18.1 | 2.4 | 19 | 35                | <b>186184</b> | <b>QSY-G<sup>3</sup>/<sub>8</sub>-8</b>  | <b>10</b>        |
|                               | 7.4               | 10             | 17.5 | 17.5 | 52.9 | 5.8 | 20.2 | 2.4 | 19 | 42                | <b>186186</b> | <b>QSY-G<sup>3</sup>/<sub>8</sub>-10</b> | <b>10</b>        |
|                               | 8.4               | 12             | 21   | 21   | 56.8 | 5.8 | 23.4 | 2.4 | 19 | 50                | <b>186187</b> | <b>QSY-G<sup>3</sup>/<sub>8</sub>-12</b> | <b>10</b>        |
| G <sup>1</sup> / <sub>2</sub> | 8.3               | 12             | 21   | 21   | 60.4 | 6.8 | 23.4 | 2.4 | 24 | 80                | <b>186188</b> | <b>QSY-G<sup>1</sup>/<sub>2</sub>-12</b> | <b>1</b>         |

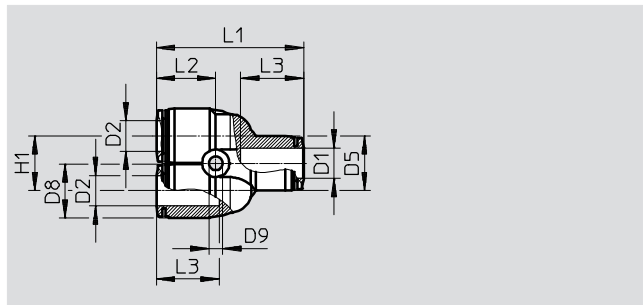
1) Packaging unit quantity

# Push-in fittings QS, standard series

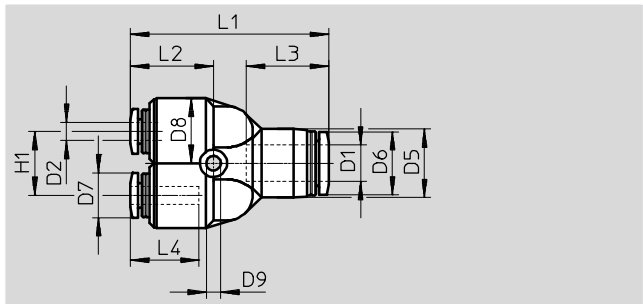
Technical data



## Push-in Y-connector QSY



## 2 reducing outlets



Reducing

| Dimensions and ordering data |              |           |      |      |      |      |     |    |      |      |      |      |               |          |              |                  |
|------------------------------|--------------|-----------|------|------|------|------|-----|----|------|------|------|------|---------------|----------|--------------|------------------|
| Tube O.D.                    | Nominal size | Tube O.D. | D5   | D6   | D7   | D8   | D9  | H1 | L1   | L2   | L3   | L4   | Weight/ piece | Part No. | Type         | PU <sup>1)</sup> |
| D1                           | [mm]         | D2        | Ø    | Ø    | Ø    | Ø    | Ø   |    |      |      |      |      | [g]           |          |              |                  |
| 4                            | 2.3          | 4         | 10   | -    | -    | 10   | 3.2 | 11 | 32.8 | 14.1 | 14.9 | -    | 7.6           | ★ 153148 | QSY-4        | 10               |
|                              |              |           |      |      |      |      |     |    |      |      |      |      |               | 130807   | QSY-4-100    | 100              |
| 6                            | 3.6          | 6         | 13   | -    | -    | 12.5 | 3.4 | 12 | 37.7 | 15.8 | 17   | -    | 11            | ★ 153149 | QSY-6        | 10               |
|                              |              |           |      |      |      |      |     |    |      |      |      |      |               | 130808   | QSY-6-100    | 100              |
| 8                            | 4.6          | 8         | 15   | -    | -    | 14.5 | 3.4 | 14 | 42.4 | 17.2 | 18.1 | -    | 16            | ★ 153150 | QSY-8        | 10               |
|                              |              |           |      |      |      |      |     |    |      |      |      |      |               | 130809   | QSY-8-50     | 50               |
| 10                           | 5.9          | 10        | 17.5 | -    | -    | 17.5 | 4.2 | 18 | 48.4 | 19.5 | 20.7 | -    | 26            | ★ 153151 | QSY-10       | 10               |
|                              |              |           |      |      |      |      |     |    |      |      |      |      |               | 130810   | QSY-10-20    | 20               |
| 12                           | 7            | 12        | 21   | -    | -    | 21   | 4.2 | 20 | 54.9 | 22.3 | 23.4 | -    | 37            | ★ 153152 | QSY-12       | 10               |
|                              |              |           |      |      |      |      |     |    |      |      |      |      |               | 130811   | QSY-12-20    | 20               |
| 16                           | 8.5          | 16        | 25   | -    | -    | 25   | 4.5 | 24 | 62.2 | 22.1 | 24.1 | -    | 45            | ★ 130609 | QSY-16       | 1                |
| <b>Reducing</b>              |              |           |      |      |      |      |     |    |      |      |      |      |               |          |              |                  |
| 6                            | 2.3          | 4         | 13   | 11.8 | 9.9  | 12.5 | 3.4 | 12 | 37.2 | 15.2 | 17   | 14.9 | 11            | ★ 153153 | QSY-6-4      | 10               |
|                              |              |           |      |      |      |      |     |    |      |      |      |      |               | 130812   | QSY-6-4-100  | 100              |
| 8                            | 1.7          | 4         | 14.5 | 13.8 | 9.9  | 12.5 | 3.4 | 14 | 41.9 | 16.7 | 18.1 | 14.9 | 13            | ★ 130610 | QSY-8-4      | 10               |
|                              | 3.2          | 6         | 14.5 | 13.8 | 11.8 | 12.5 | 3.4 | 14 | 42.5 | 17.3 | 18.1 | 17   | 13            | ★ 153154 | QSY-8-6      | 10               |
|                              |              |           |      |      |      |      |     |    |      |      |      |      |               | 130813   | QSY-8-6-50   | 50               |
| 10                           | 3.3          | 6         | 17.5 | 16.8 | 11.8 | 14.5 | 4.5 | 18 | 48.2 | 19.3 | 20.2 | 17   | 19            | ★ 130611 | QSY-10-6     | 10               |
|                              | 4.5          | 8         | 17.5 | 16.8 | 13.8 | 14.5 | 4.5 | 18 | 48.1 | 19.2 | 20.2 | 18.1 | 20            | ★ 153155 | QSY-10-8     | 10               |
|                              |              |           |      |      |      |      |     |    |      |      |      |      |               | 130814   | QSY-10-8-20  | 20               |
| 12                           | 4.5          | 8         | 21   | 19.8 | 13.8 | 17.5 | 4.5 | 20 | 54.3 | 21.7 | 23.4 | 18.1 | 27            | ★ 130612 | QSY-12-8     | 10               |
|                              | 5.8          | 10        | 21   | 19.8 | 16.8 | 17.5 | 4.5 | 20 | 54.6 | 22   | 23.4 | 20.2 | 30            | ★ 153156 | QSY-12-10    | 10               |
|                              |              |           |      |      |      |      |     |    |      |      |      |      |               | 130815   | QSY-12-10-20 | 20               |
| 16                           | 7            | 12        | 25   | 23   | 19.8 | 25   | 4.5 | 24 | 62.3 | 22.2 | 24.1 | 23.4 | 48            | ★ 190708 | QSY-16-12    | 1                |

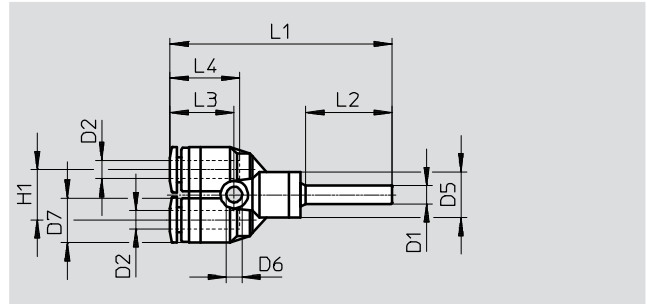
1) Packaging unit quantity

|                          |   |
|--------------------------|---|
| Festo core product range | ★ Ready for dispatch from the Festo factory in 24 hours |
|                          | ☆ Ready for dispatch in 5 days maximum from stock       |

# Push-in fittings QS, standard series

Technical data

**Push-in Y-connector QSY...H**  
with push-in sleeve

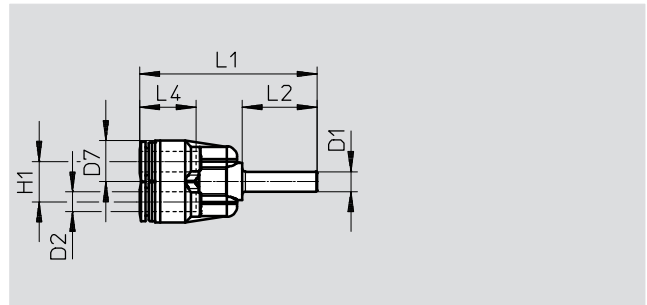
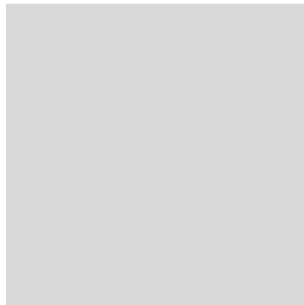


| Dimensions and ordering data |              |             |      |      |      |    |      |    |      |      |                   |          |          |                  |
|------------------------------|--------------|-------------|------|------|------|----|------|----|------|------|-------------------|----------|----------|------------------|
| Push-in sleeve Ø             | Nominal size | Tubing O.D. | D5 Ø | D6 Ø | D7 Ø | H1 | L1   | L2 | L3   | L4   | Weight/ piece [g] | Part No. | Type     | PU <sup>1)</sup> |
| D1                           | [mm]         | D2          |      |      |      |    |      |    |      |      |                   |          |          |                  |
| 4                            | 1.6          | 4           | 10   | 3.2  | 10   | 11 | 48.7 | 19 | 14.1 | 14.9 | 6.5               | 130628   | QSY-4H   | 10               |
| Reducing                     |              |             |      |      |      |    |      |    |      |      |                   |          |          |                  |
| 6                            | 2.3          | 4           | 10   | 3.2  | 10   | 11 | 50.9 | 22 | 14.1 | 14.9 | 6.8               | 130633   | QSY-6H-4 | 10               |

1) Packaging unit quantity

**Push-in Y-connector QSY...H-B**  
with push-in sleeve

No. of supply lines: 1  
No. of outlets: 2



| Dimensions and ordering data |              |                 |      |    |      |      |      |                   |          |              |                  |
|------------------------------|--------------|-----------------|------|----|------|------|------|-------------------|----------|--------------|------------------|
| Push-in sleeve Ø             | Nominal size | For tubing O.D. | D7 Ø | H1 | L1   | L2   | L4   | Weight/ piece [g] | Part No. | Type         | PU <sup>1)</sup> |
| D1                           | [mm]         | D2              |      |    |      |      |      |                   |          |              |                  |
| 6                            | 3.1          | 6               | 12.5 | 12 | 53.2 | 22.5 | 17   | 8.5               | 133145   | QSY-6H-B     | 10               |
| 8                            | 4.6          | 8               | 14.5 | 14 | 56.1 | 23.5 | 18.1 | 13                | 133146   | QSY-8H-B     | 10               |
| 10                           | 5.9          | 10              | 17.5 | 18 | 63.2 | 25   | 20.2 | 21                | 133148   | QSY-10H-B    | 10               |
| 12                           | 7.3          | 12              | 21   | 20 | 71.3 | 29   | 23.4 | 31                | 133150   | QSY-12H-B    | 10               |
| Reducing                     |              |                 |      |    |      |      |      |                   |          |              |                  |
| 8                            | 3.6          | 6               | 12.5 | 12 | 54.2 | 23.5 | 17   | 8.8               | 133147   | QSY-8H-6-B   | 10               |
| 10                           | 4.6          | 8               | 14.5 | 14 | 57.6 | 25   | 18.1 | 13                | 133149   | QSY-10H-8-B  | 10               |
| 12                           | 5.9          | 10              | 17.5 | 18 | 67.2 | 29   | 20.2 | 22                | 133151   | QSY-12H-10-B | 10               |

1) Packaging unit quantity

# Push-in fittings QS, standard series

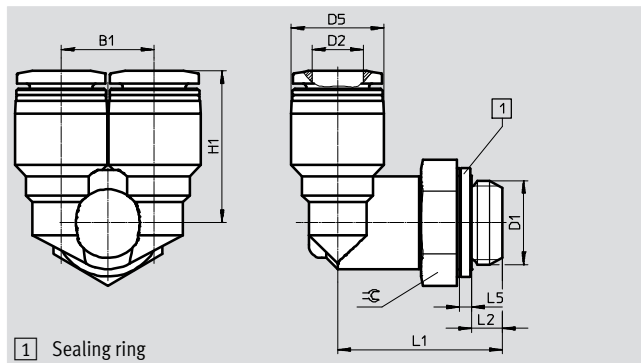
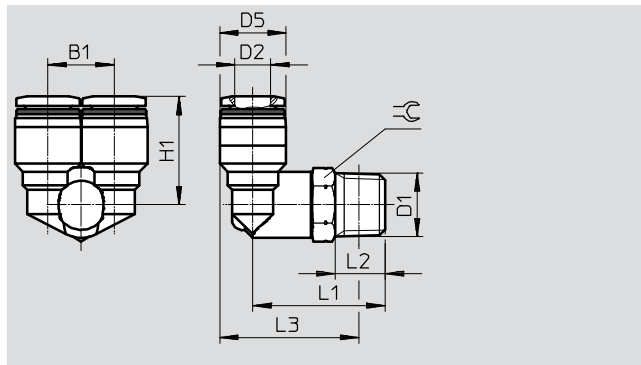
Technical data



## Push-in Y-fitting QSYL

Orientable

Male thread with external hex



| Dimensions and ordering data      |                   |             |      |         |      |      |     |      |     |    |                      |          |  |                  |
|-----------------------------------|-------------------|-------------|------|---------|------|------|-----|------|-----|----|----------------------|----------|--|------------------|
| Connection                        | Nominal size [mm] | Tubing O.D. | B1   | D5<br>∅ | H1   | L1   | L2  | L3   | L5  | ≡  | Weight/<br>piece [g] | Part No. | Type                                   | PU <sup>1)</sup> |
| D1                                |                   | D2          |      |         |      |      |     |      |     |    |                      |          |  |                  |
| <b>R thread</b>                   |                   |             |      |         |      |      |     |      |     |    |                      |          |  |                  |
| R <sup>1</sup> / <sub>8</sub>     | 3.9               | 4           | 10.3 | 10      | 18.2 | 23   | 8   | 24   | -   | 10 | 13                   | ★ 153172 | QSYL- <sup>1</sup> / <sub>8</sub> -4   | 1                |
|                                   | 4.2               | 6           | 12.5 | 12.5    | 19.8 | 23.5 | 8   | 25.8 | -   | 10 | 15                   | ★ 153173 | QSYL- <sup>1</sup> / <sub>8</sub> -6   | 1                |
|                                   | 5.7               | 8           | 14.5 | 14.5    | 22.7 | 25   | 8   | 28.3 | -   | 12 | 20                   | ★ 153175 | QSYL- <sup>1</sup> / <sub>8</sub> -8   | 1                |
| R <sup>1</sup> / <sub>4</sub>     | 5.3               | 6           | 12.5 | 12.5    | 21.8 | 29   | 11  | 29.2 | -   | 14 | 22                   | ★ 153174 | QSYL- <sup>1</sup> / <sub>4</sub> -6   | 1                |
|                                   | 7.3               | 8           | 14.5 | 14.5    | 23.7 | 29   | 11  | 30.2 | -   | 14 | 25                   | ★ 153176 | QSYL- <sup>1</sup> / <sub>4</sub> -8   | 1                |
|                                   | 8                 | 10          | 17.5 | 17.5    | 26   | 29.5 | 11  | 32.2 | -   | 14 | 32                   | ★ 153178 | QSYL- <sup>1</sup> / <sub>4</sub> -10  | 1                |
| R <sup>3</sup> / <sub>8</sub>     | 7.3               | 8           | 14.5 | 14.5    | 24.7 | 32   | 12  | 32.9 | -   | 17 | 37                   | ★ 153177 | QSYL- <sup>3</sup> / <sub>8</sub> -8   | 1                |
|                                   | 9.2               | 10          | 17.5 | 17.5    | 27   | 32.5 | 12  | 34.9 | -   | 17 | 43                   | ★ 153179 | QSYL- <sup>3</sup> / <sub>8</sub> -10  | 1                |
|                                   | 9.7               | 12          | 21   | 21      | 29.2 | 33.5 | 12  | 37.7 | -   | 17 | 51                   | ★ 153180 | QSYL- <sup>3</sup> / <sub>8</sub> -12  | 1                |
| R <sup>1</sup> / <sub>2</sub>     | 10.6              | 12          | 21   | 21      | 30.2 | 38   | 15  | 40.3 | -   | 21 | 74                   | ★ 153181 | QSYL- <sup>1</sup> / <sub>2</sub> -12  | 1                |
| <b>G thread with sealing ring</b> |                   |             |      |         |      |      |     |      |     |    |                      |          |  |                  |
| G <sup>1</sup> / <sub>8</sub>     | 3.9               | 4           | 10.3 | 10      | 18.2 | 22.1 | 4.2 | -    | 1.9 | 13 | 16                   | 186189   | QSYL-G <sup>1</sup> / <sub>8</sub> -4  | 1                |
|                                   | 4.2               | 6           | 12.5 | 12.5    | 19.8 | 22.6 | 4.2 | -    | 1.9 | 13 | 18                   | 186190   | QSYL-G <sup>1</sup> / <sub>8</sub> -6  | 1                |
|                                   | 5.7               | 8           | 14.5 | 14.5    | 22.7 | 23.1 | 4.2 | -    | 1.9 | 13 | 20                   | 186192   | QSYL-G <sup>1</sup> / <sub>8</sub> -8  | 1                |
| G <sup>1</sup> / <sub>4</sub>     | 5.3               | 6           | 12.5 | 12.5    | 21.8 | 25.7 | 4.8 | -    | 1.9 | 17 | 26                   | 186191   | QSYL-G <sup>1</sup> / <sub>4</sub> -6  | 1                |
|                                   | 7.3               | 8           | 14.5 | 14.5    | 23.7 | 25.7 | 4.8 | -    | 1.9 | 17 | 29                   | 186193   | QSYL-G <sup>1</sup> / <sub>4</sub> -8  | 1                |
|                                   | 8                 | 10          | 17.5 | 17.5    | 26   | 26.2 | 4.8 | -    | 1.9 | 17 | 36                   | 186195   | QSYL-G <sup>1</sup> / <sub>4</sub> -10 | 1                |
| G <sup>3</sup> / <sub>8</sub>     | 7.3               | 8           | 14.5 | 14.5    | 24.7 | 28.2 | 5.8 | -    | 2.4 | 19 | 38                   | 186194   | QSYL-G <sup>3</sup> / <sub>8</sub> -8  | 1                |
|                                   | 9.2               | 10          | 17.5 | 17.5    | 27   | 28.7 | 5.8 | -    | 2.4 | 19 | 45                   | 186196   | QSYL-G <sup>3</sup> / <sub>8</sub> -10 | 1                |
|                                   | 9.7               | 12          | 21   | 21      | 29.2 | 29.7 | 5.8 | -    | 2.4 | 19 | 52                   | 186197   | QSYL-G <sup>3</sup> / <sub>8</sub> -12 | 1                |
| G <sup>1</sup> / <sub>2</sub>     | 10.6              | 12          | 21   | 21      | 30.2 | 33.7 | 6.8 | -    | 2.4 | 24 | 80                   | 186198   | QSYL-G <sup>1</sup> / <sub>2</sub> -12 | 1                |

1) Packaging unit quantity

|                          |   |
|--------------------------|---|
| Festo core product range | ★ Ready for dispatch from the Festo factory in 24 hours |
|                          | ☆ Ready for dispatch in 5 days maximum from stock       |

# Push-in fittings QS, standard series

Technical data

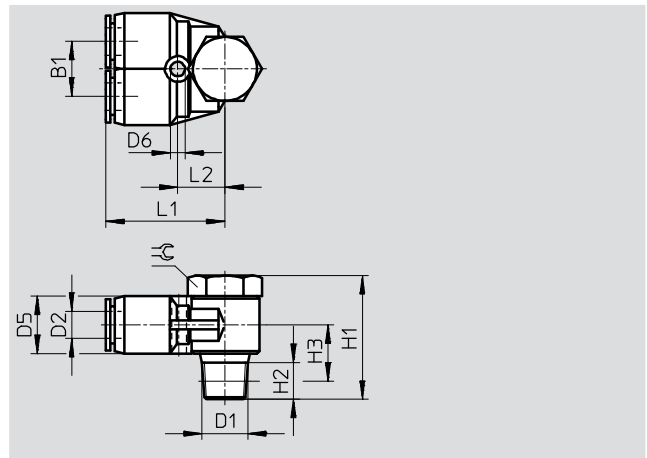
## Push-in Y-fitting QSYLV

Orientable

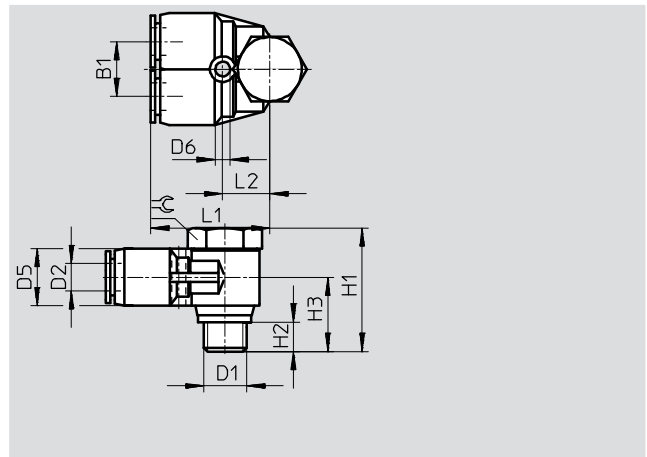
Male thread with external hex



R thread



G thread



| Dimensions and ordering data      |                   |                |    |         |         |      |     |      |      |      |    |                   |          |               |                  |
|-----------------------------------|-------------------|----------------|----|---------|---------|------|-----|------|------|------|----|-------------------|----------|---------------|------------------|
| Connection                        | Nominal size [mm] | Tubing O.D. D2 | B1 | D5<br>∅ | D6<br>∅ | H1   | H2  | H3   | L1   | L2   | ⌀  | Weight/ piece [g] | Part No. | Type          | PU <sup>1)</sup> |
| <b>R thread</b>                   |                   |                |    |         |         |      |     |      |      |      |    |                   |          |               |                  |
| R <sup>1</sup> / <sub>8</sub>     | 3.3               | 6              | 12 | 12.5    | 3.2     | 27   | 8   | 11   | 26   | 10.5 | 14 | 24.5              | 153192   | QSYLV-1/8-6   | 1                |
| R <sup>3</sup> / <sub>4</sub>     | 4.4               | 8              | 14 | 14.5    | 3.2     | 31.5 | 11  | 12.5 | 29   | 12.5 | 17 | 41.5              | 153193   | QSYLV-1/4-8   | 1                |
| R <sup>3</sup> / <sub>8</sub>     | 5.7               | 10             | 17 | 17.5    | 4.2     | 36   | 12  | 14.5 | 33.5 | 15   | 21 | 69.5              | 153194   | QSYLV-3/8-10  | 1                |
| R <sup>1</sup> / <sub>2</sub>     | 7.1               | 12             | 20 | 21      | 4.2     | 40   | 15  | 17.5 | 37.5 | 17   | 24 | 102               | 153195   | QSYLV-1/2-12  | 1                |
| <b>G thread with sealing ring</b> |                   |                |    |         |         |      |     |      |      |      |    |                   |          |               |                  |
| G <sup>1</sup> / <sub>8</sub>     | 3.5               | 6              | 12 | 12.4    | 3.2     | 26.2 | 5.1 | 15.2 | 27.5 | 12   | 17 | 31                | 186209   | QSYLV-G1/8-6  | 1                |
| G <sup>1</sup> / <sub>4</sub>     | 4.7               | 8              | 14 | 14.4    | 3.2     | 28.4 | 5.6 | 16.4 | 30.9 | 14   | 19 | 48                | 186210   | QSYLV-G1/4-8  | 1                |
| G <sup>3</sup> / <sub>8</sub>     | 5.2               | 10             | 17 | 17.6    | 4.2     | 33.4 | 6.6 | 19.4 | 34   | 15.5 | 21 | 73                | 186211   | QSYLV-G3/8-10 | 1                |
| G <sup>1</sup> / <sub>2</sub>     | 7                 | 12             | 20 | 21      | 4.2     | 37.4 | 7.6 | 21.9 | 38.9 | 18.5 | 27 | 123               | 186212   | QSYLV-G1/2-12 | 1                |

1) Packaging unit quantity

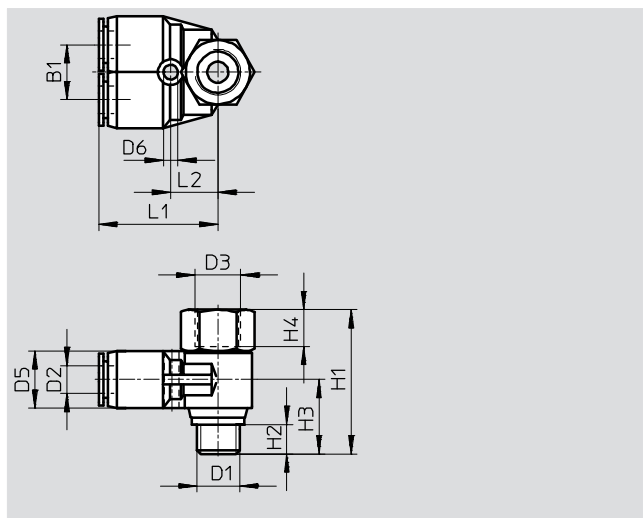
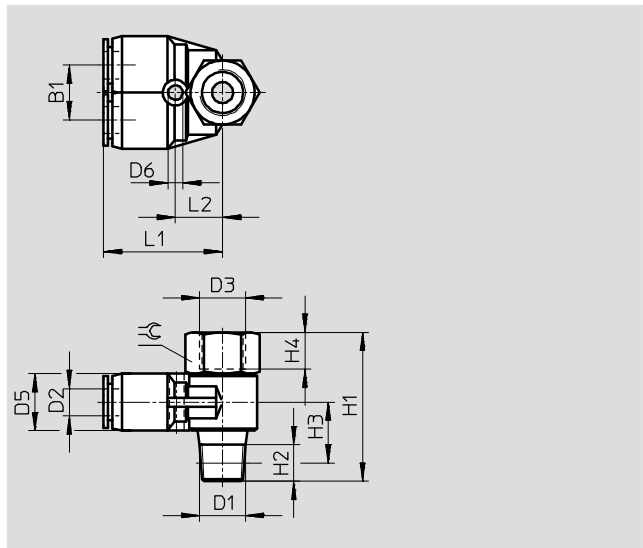
# Push-in fittings QS, standard series

Technical data

## Push-in Y-fitting QSYTF

Orientable

Male and female thread with external hex



| Dimensions and ordering data             |                   |             |    |                               |         |         |      |     |      |    |      |      |    |                   |          |  |                  |
|--|-------------------|-------------|----|-------------------------------|---------|---------|------|-----|------|----|------|------|----|-------------------|----------|--|------------------|
| Connection                               | Nominal size [mm] | Tubing O.D. | B1 | D3<br>∅                       | D5<br>∅ | D6<br>∅ | H1   | H2  | H3   | H4 | L1   | L2   | ∅C | Weight/ piece [g] | Part No. | Type                                     | PU <sup>1)</sup> |
| D1                                       |                   | D2          |    |                               |         |         |      |     |      |    |      |      |    |                   |          |  |                  |
| <b>R male thread and G thread female</b> |                   |             |    |                               |         |         |      |     |      |    |      |      |    |                   |          |  |                  |
| R <sup>1</sup> / <sub>8</sub>            | 3.1               | 6           | 12 | G <sup>1</sup> / <sub>8</sub> | 12.4    | 3.5     | 32.5 | 8   | 12   | 7  | 26.2 | 10.7 | 14 | 27                | 153196   | QSYTF- <sup>1</sup> / <sub>8</sub> -6-B  | 1                |
| R <sup>1</sup> / <sub>4</sub>            | 4.3               | 8           | 14 | G <sup>1</sup> / <sub>4</sub> | 14.4    | 3.2     | 38.5 | 11  | 13.5 | 9  | 29.1 | 12.5 | 17 | 43                | 153197   | QSYTF- <sup>1</sup> / <sub>4</sub> -8-B  | 1                |
| R <sup>3</sup> / <sub>8</sub>            | 5.5               | 10          | 17 | G <sup>3</sup> / <sub>8</sub> | 17.6    | 4.2     | 44.5 | 12  | 15.7 | 11 | 33.5 | 15   | 21 | 72                | 153198   | QSYTF- <sup>3</sup> / <sub>8</sub> -10-B | 1                |
| R <sup>1</sup> / <sub>2</sub>            | 6.8               | 12          | 20 | G <sup>1</sup> / <sub>2</sub> | 21      | 4.2     | 52.2 | 13  | 16.5 | 14 | 37.4 | 17   | 24 | 109               | 153199   | QSYTF- <sup>1</sup> / <sub>2</sub> -12-B | 1                |
| <b>G male thread with sealing ring</b>   |                   |             |    |                               |         |         |      |     |      |    |      |      |    |                   |          |  |                  |
| G <sup>1</sup> / <sub>8</sub>            | 3.1               | 6           | 12 | G <sup>1</sup> / <sub>8</sub> | 12.4    | 3.2     | 29.2 | 5.1 | 15.2 | 7  | 27.5 | 12   | 17 | 32                | 186213   | QSYTF-G- <sup>1</sup> / <sub>8</sub> -6  | 1                |
| G <sup>1</sup> / <sub>4</sub>            | 4.3               | 8           | 14 | G <sup>1</sup> / <sub>4</sub> | 14.4    | 3.2     | 32.9 | 5.6 | 16.4 | 9  | 30.9 | 14   | 19 | 47                | 186214   | QSYTF-G- <sup>1</sup> / <sub>4</sub> -8  | 1                |
| G <sup>3</sup> / <sub>8</sub>            | 5.5               | 10          | 17 | G <sup>3</sup> / <sub>8</sub> | 17.6    | 4.2     | 41.4 | 6.6 | 19.4 | 11 | 34   | 15.5 | 21 | 72                | 186215   | QSYTF-G- <sup>3</sup> / <sub>8</sub> -10 | 1                |
| G <sup>1</sup> / <sub>2</sub>            | 6.8               | 12          | 20 | G <sup>1</sup> / <sub>2</sub> | 21      | 4.2     | 47.4 | 7.6 | 21.9 | 14 | 38.9 | 18.5 | 27 | 127               | 186216   | QSYTF-G- <sup>1</sup> / <sub>2</sub> -12 | 1                |

1) Packaging unit quantity

# Push-in fittings QS-V0, weld spatter resistant

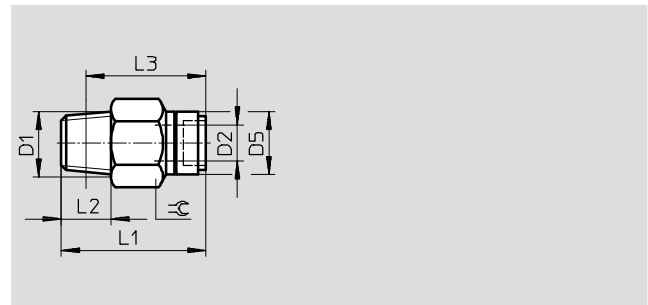
Technical data

## Push-in fitting QS-V0

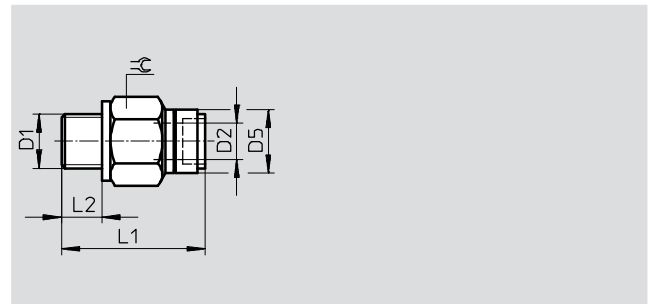
Male thread with external hex



R thread



G thread



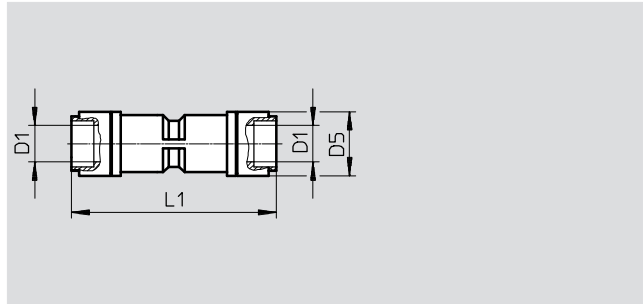
| Dimensions and ordering data      |              |             |    |      |     |      |    |               |          |               |                  |
|-----------------------------------|--------------|-------------|----|------|-----|------|----|---------------|----------|---------------|------------------|
| Connection                        | Nominal size | Tubing O.D. | D5 | L1   | L2  | L3   | ≅  | Weight/ piece | Part No. | Type          | PU <sup>1)</sup> |
| D1                                | [mm]         | D2          | ∅  |      |     |      |    | [g]           |          |               |                  |
| <b>R thread</b>                   |              |             |    |      |     |      |    |               |          |               |                  |
| R <sup>1</sup> / <sub>8</sub>     | 2.6          | 4           | 12 | 26.1 | 8   | 22.1 | 10 | 8.7           | 132888   | QS-V0-1/8-4   | 10               |
|                                   | 4            | 6           | 14 | 28   | 8   | 24   | 12 | 10            | 160500   | QS-V0-1/8-6   | 10               |
|                                   | 5            | 8           | 16 | 33.5 | 8   | 29.5 | 14 | 16.5          | 160501   | QS-V0-1/8-8   | 10               |
| R <sup>1</sup> / <sub>4</sub>     | 4            | 6           | 14 | 30   | 11  | 24   | 14 | 18            | 160502   | QS-V0-1/4-6   | 10               |
|                                   | 5            | 8           | 16 | 32   | 11  | 26   | 14 | 16.5          | 160503   | QS-V0-1/4-8   | 10               |
|                                   | 6.7          | 10          | 19 | 35.5 | 11  | 29.5 | 17 | 21.5          | 160504   | QS-V0-1/4-10  | 10               |
|                                   | 6.7          | 12          | 22 | 40.9 | 11  | 34.9 | 21 | 45            | 160505   | QS-V0-1/4-12  | 10               |
| R <sup>3</sup> / <sub>8</sub>     | 5            | 8           | 16 | 29.5 | 12  | 23   | 17 | 25            | 160506   | QS-V0-3/8-8   | 10               |
|                                   | 6.7          | 10          | 19 | 35   | 12  | 28.5 | 17 | 27.5          | 160507   | QS-V0-3/8-10  | 1                |
|                                   | 8.7          | 12          | 22 | 36.9 | 12  | 30.6 | 21 | 37            | 160508   | QS-V0-3/8-12  | 1                |
| R <sup>1</sup> / <sub>2</sub>     | 6.7          | 10          | 19 | 36   | 15  | 28   | 21 | 50.5          | 160509   | QS-V0-1/2-10  | 1                |
|                                   | 8.7          | 12          | 22 | 38.9 | 15  | 30.7 | 21 | 51            | 160510   | QS-V0-1/2-12  | 1                |
| <b>G thread with sealing ring</b> |              |             |    |      |     |      |    |               |          |               |                  |
| G <sup>1</sup> / <sub>8</sub>     | 4            | 6           | 14 | 26.6 | 5.1 | –    | 13 | 9.8           | 186314   | QS-V0-G1/8-6  | 10               |
|                                   | 5            | 8           | 16 | 31.9 | 5.1 | –    | 14 | 15            | 186315   | QS-V0-G1/8-8  | 10               |
| G <sup>1</sup> / <sub>4</sub>     | 4            | 6           | 14 | 27.1 | 5.6 | –    | 17 | 19            | 186316   | QS-V0-G1/4-6  | 10               |
|                                   | 5            | 8           | 16 | 27.9 | 5.6 | –    | 17 | 17            | 186317   | QS-V0-G1/4-8  | 10               |
|                                   | 6.7          | 10          | 19 | 34.9 | 5.6 | –    | 17 | 23            | 186318   | QS-V0-G1/4-10 | 10               |
|                                   | 6.7          | 12          | 22 | 39.9 | 5.6 | –    | 21 | 52            | 186319   | QS-V0-G1/4-12 | 10               |
| G <sup>3</sup> / <sub>8</sub>     | 5            | 8           | 16 | 27.6 | 6.6 | –    | 19 | 25            | 186320   | QS-V0-G3/8-8  | 10               |
|                                   | 6.7          | 10          | 19 | 31.4 | 6.6 | –    | 19 | 26            | 186321   | QS-V0-G3/8-10 | 10               |
|                                   | 8.7          | 12          | 22 | 37.3 | 6.6 | –    | 21 | 39            | 186322   | QS-V0-G3/8-12 | 10               |
| G <sup>1</sup> / <sub>2</sub>     | 6.7          | 10          | 19 | 32   | 7.6 | –    | 24 | 53            | 186323   | QS-V0-G1/2-10 | 1                |
|                                   | 8.7          | 12          | 22 | 33.8 | 7.6 | –    | 24 | 48            | 186324   | QS-V0-G1/2-12 | 1                |

1) Packaging unit quantity

# Push-in fittings QS-V0, weld spatter resistant

Technical data

## Push-in connector QS-V0



| Dimensions and ordering data |              |      |      |                  |               |                 |                  |
|------------------------------|--------------|------|------|------------------|---------------|-----------------|------------------|
| Tubing O.D.                  | Nominal size | D5   | L1   | Weight/<br>piece | Part No.      | Type            | PU <sup>1)</sup> |
| D1                           | [mm]         |      |      | [g]              |               |                 |                  |
| 4                            | 2.6          | 12   | 41   | 6                | <b>132890</b> | <b>QS-V0-4</b>  | <b>10</b>        |
| 6                            | 4            | 14   | 45.1 | 7.9              | <b>160546</b> | <b>QS-V0-6</b>  | <b>10</b>        |
| 8                            | 5            | 16   | 48.2 | 11               | <b>160547</b> | <b>QS-V0-8</b>  | <b>10</b>        |
| 10                           | 6.7          | 19   | 51.8 | 18               | <b>160548</b> | <b>QS-V0-10</b> | <b>10</b>        |
| 12                           | 8.7          | 22.2 | 57.8 | 26               | <b>160549</b> | <b>QS-V0-12</b> | <b>10</b>        |

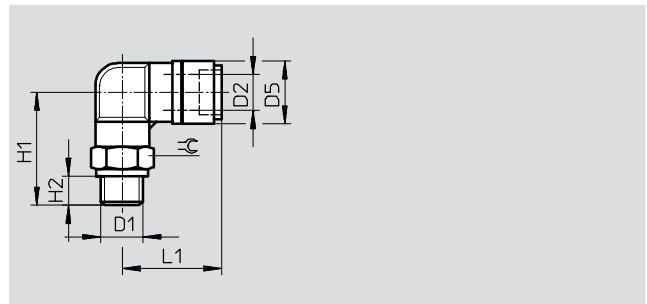
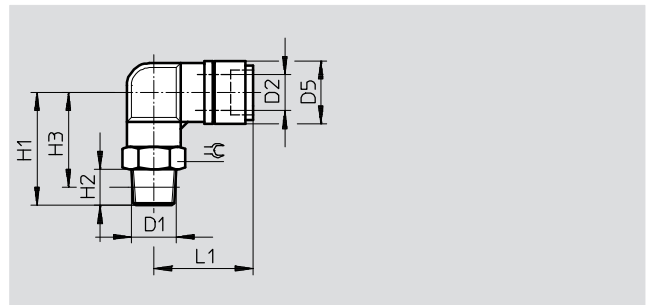
1) Packaging unit quantity

# Push-in fittings QS-V0, weld spatter resistant

Technical data

## Push-in L-fitting QSL-V0

Male thread with external hex



| Dimensions and ordering data      |                   |                |      |      |     |      |      |    |                   |          |                |                  |
|-----------------------------------|-------------------|----------------|------|------|-----|------|------|----|-------------------|----------|----------------|------------------|
| Connection                        | Nominal size [mm] | Tubing O.D. D2 | D5 Ø | H1   | H2  | H3   | L1   | ⌀  | Weight/ piece [g] | Part No. | Type           | PU <sup>1)</sup> |
| <b>R thread</b>                   |                   |                |      |      |     |      |      |    |                   |          |                |                  |
| R <sup>1</sup> / <sub>8</sub>     | 2.3               | 4              | 12   | 23.3 | 8   | 19.3 | 23.1 | 10 | 12                | 132891   | QSL-V0-1/8-4   | 10               |
|                                   | 3.6               | 6              | 14   | 25   | 8   | 21.1 | 24.9 | 12 | 15                | 160511   | QSL-V0-1/8-6   | 10               |
|                                   | 4.6               | 8              | 16   | 28   | 8   | 24.1 | 27.9 | 14 | 19                | 160512   | QSL-V0-1/8-8   | 10               |
| R <sup>1</sup> / <sub>4</sub>     | 3.6               | 6              | 14   | 28   | 11  | 22   | 24.9 | 14 | 23                | 160513   | QSL-V0-1/4-6   | 10               |
|                                   | 4.6               | 8              | 16   | 31   | 11  | 25   | 27.9 | 14 | 25                | 160514   | QSL-V0-1/4-8   | 10               |
|                                   | 6.2               | 10             | 19   | 36   | 11  | 30   | 31.4 | 17 | 36                | 160515   | QSL-V0-1/4-10  | 10               |
|                                   | 6.2               | 12             | 22.2 | 38   | 11  | 32   | 34.4 | 21 | 54                | 160516   | QSL-V0-1/4-12  | 1                |
| R <sup>3</sup> / <sub>8</sub>     | 4.6               | 8              | 16   | 32.8 | 12  | 26.5 | 27.9 | 17 | 38                | 160517   | QSL-V0-3/8-8   | 10               |
|                                   | 6.2               | 10             | 19   | 37   | 12  | 30.7 | 31.4 | 17 | 45                | 160518   | QSL-V0-3/8-10  | 10               |
|                                   | 7.7               | 12             | 22.2 | 39   | 12  | 32.7 | 34.4 | 21 | 54                | 160519   | QSL-V0-3/8-12  | 1                |
| R <sup>1</sup> / <sub>2</sub>     | 6.2               | 10             | 19   | 40   | 15  | 31.9 | 31.4 | 21 | 47                | 160520   | QSL-V0-1/2-10  | 1                |
|                                   | 7.7               | 12             | 22.2 | 42   | 15  | 33.9 | 34.4 | 21 | 70                | 160521   | QSL-V0-1/2-12  | 1                |
| <b>G thread with sealing ring</b> |                   |                |      |      |     |      |      |    |                   |          |                |                  |
| G <sup>1</sup> / <sub>8</sub>     | 3.6               | 6              | 14   | 24   | 5.1 | -    | 24.9 | 13 | 15                | 186325   | QSL-V0-G1/8-6  | 10               |
|                                   | 4.6               | 8              | 16   | 27   | 5.1 | -    | 27.9 | 14 | 19                | 186326   | QSL-V0-G1/8-8  | 10               |
| G <sup>1</sup> / <sub>4</sub>     | 3.6               | 6              | 14   | 25.5 | 5.6 | -    | 24.9 | 17 | 25                | 186327   | QSL-V0-G1/4-6  | 10               |
|                                   | 4.6               | 8              | 16   | 28.5 | 5.6 | -    | 27.9 | 17 | 27                | 186328   | QSL-V0-G1/4-8  | 10               |
|                                   | 6.2               | 10             | 19   | 32.5 | 5.6 | -    | 31.4 | 17 | 33                | 186329   | QSL-V0-G1/4-10 | 10               |
|                                   | 6.2               | 12             | 22.2 | 34.5 | 5.6 | -    | 34.4 | 21 | 53                | 186330   | QSL-V0-G1/4-12 | 1                |
| G <sup>3</sup> / <sub>8</sub>     | 4.6               | 8              | 16   | 30   | 6.6 | -    | 27.9 | 19 | 40                | 186331   | QSL-V0-G3/8-8  | 10               |
|                                   | 6.2               | 10             | 19   | 34   | 6.6 | -    | 31.4 | 19 | 43                | 186332   | QSL-V0-G3/8-10 | 10               |
|                                   | 7.7               | 12             | 22.2 | 36   | 6.6 | -    | 34.4 | 21 | 47                | 186333   | QSL-V0-G3/8-12 | 1                |
| G <sup>1</sup> / <sub>2</sub>     | 8.2               | 10             | 19   | 37   | 7.6 | -    | 31.4 | 24 | 69                | 186334   | QSL-V0-G1/2-10 | 1                |
|                                   | 7.7               | 12             | 22.2 | 39   | 7.6 | -    | 34.4 | 24 | 72                | 186335   | QSL-V0-G1/2-12 | 1                |

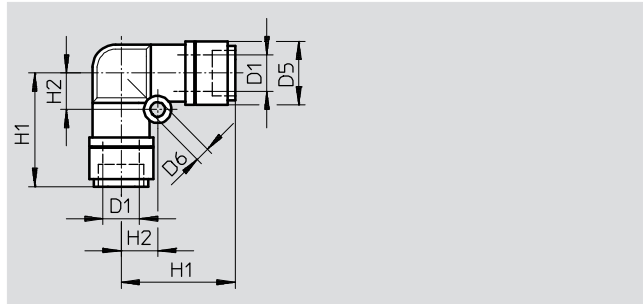
1) Packaging unit quantity

# Push-in fittings QS-V0, weld spatter resistant

Technical data



## Push-in L-connector QSL-V0



| Dimensions and ordering data |              |      |     |      |     |                  |               |                  |                  |
|------------------------------|--------------|------|-----|------|-----|------------------|---------------|------------------|------------------|
| Tubing O.D.                  | Nominal size | D5   | D6  | H1   | H2  | Weight/<br>piece | Part No.      | Type             | PU <sup>1)</sup> |
| D1                           | [mm]         | ∅    | ∅   |      |     | [g]              |               |                  |                  |
| 4                            | 2.3          | 12   | 3.2 | 22   | 6.5 | 6.4              | <b>132893</b> | <b>QSL-V0-4</b>  | <b>10</b>        |
| 6                            | 3.6          | 14   | 3.2 | 25.2 | 8   | 8.7              | <b>160540</b> | <b>QSL-V0-6</b>  | <b>10</b>        |
| 8                            | 4.6          | 16   | 4.2 | 27.6 | 10  | 13               | <b>160541</b> | <b>QSL-V0-8</b>  | <b>10</b>        |
| 10                           | 6.2          | 19   | 4.2 | 31.4 | 12  | 20               | <b>160542</b> | <b>QSL-V0-10</b> | <b>10</b>        |
| 12                           | 7.7          | 22.2 | 4.2 | 34.4 | 14  | 29               | <b>160543</b> | <b>QSL-V0-12</b> | <b>10</b>        |

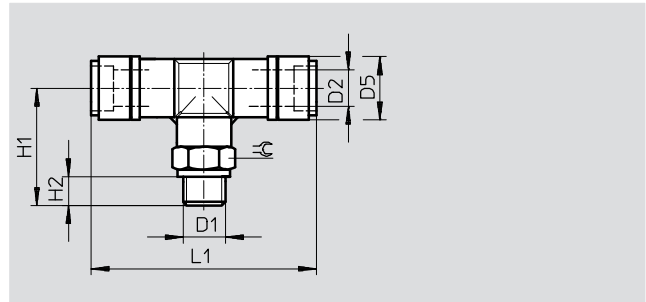
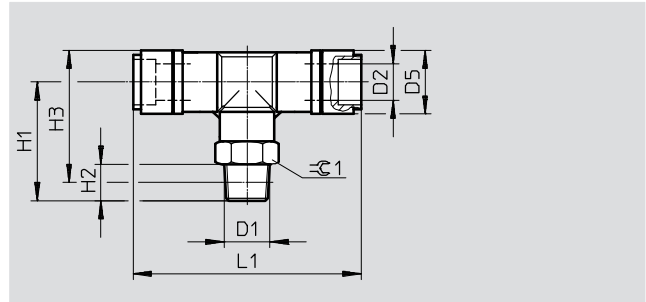
1) Packaging unit quantity

# Push-in fittings QS-V0, weld spatter resistant

Technical data

## Push-in T-fitting QST-V0

Male thread with external hex



| Dimensions and ordering data      |                   |                |      |      |     |      |      |    |                   |          |  |                  |
|-----------------------------------|-------------------|----------------|------|------|-----|------|------|----|-------------------|----------|--|------------------|
| Connection                        | Nominal size [mm] | Tubing O.D. D2 | D5 Ø | H1   | H2  | H3   | L1   | ⌀  | Weight/ piece [g] | Part No. | Type                                     | PU <sup>1)</sup> |
| <b>R thread</b>                   |                   |                |      |      |     |      |      |    |                   |          |  |                  |
| R <sup>1</sup> / <sub>8</sub>     | 2.3               | 4              | 12   | 23.2 | 8   | 25.2 | 44   | 10 | 15                | 132894   | QST-V0- <sup>1</sup> / <sub>8</sub> -4   | 10               |
|                                   | 3.6               | 6              | 14   | 26   | 8   | 29   | 50.5 | 12 | 19                | 160522   | QST-V0- <sup>1</sup> / <sub>8</sub> -6   | 10               |
|                                   | 4.6               | 8              | 16   | 26.3 | 8   | 30.3 | 55.2 | 14 | 24                | 160523   | QST-V0- <sup>1</sup> / <sub>8</sub> -8   | 10               |
| R <sup>1</sup> / <sub>4</sub>     | 3.6               | 6              | 14   | 29   | 11  | 30   | 50.5 | 14 | 27                | 160524   | QST-V0- <sup>1</sup> / <sub>4</sub> -6   | 10               |
|                                   | 4.6               | 8              | 16   | 29.3 | 11  | 31.3 | 55.2 | 14 | 30                | 160525   | QST-V0- <sup>1</sup> / <sub>4</sub> -8   | 10               |
|                                   | 6.2               | 10             | 19   | 36   | 11  | 39.5 | 60.8 | 17 | 44                | 160526   | QST-V0- <sup>1</sup> / <sub>4</sub> -10  | 10               |
|                                   | 6.2               | 12             | 22.2 | 38   | 11  | 43.1 | 66.8 | 21 | 63                | 160527   | QST-V0- <sup>1</sup> / <sub>4</sub> -12  | 10               |
| R <sup>3</sup> / <sub>8</sub>     | 4.6               | 8              | 16   | 31.1 | 12  | 32.8 | 55.2 | 17 | 43                | 160528   | QST-V0- <sup>3</sup> / <sub>8</sub> -8   | 10               |
|                                   | 6.2               | 10             | 19   | 37   | 12  | 40.2 | 60.8 | 17 | 53                | 160529   | QST-V0- <sup>3</sup> / <sub>8</sub> -10  | 10               |
|                                   | 7.7               | 12             | 22.2 | 39   | 12  | 43.8 | 66.8 | 21 | 63                | 160530   | QST-V0- <sup>3</sup> / <sub>8</sub> -12  | 1                |
| R <sup>1</sup> / <sub>2</sub>     | 6.2               | 10             | 19   | 40   | 15  | 41.3 | 60.8 | 21 | 74                | 160531   | QST-V0- <sup>1</sup> / <sub>2</sub> -10  | 1                |
|                                   | 7.7               | 12             | 22.2 | 42   | 15  | 44.9 | 66.8 | 21 | 81                | 160532   | QST-V0- <sup>1</sup> / <sub>2</sub> -12  | 1                |
| <b>G thread with sealing ring</b> |                   |                |      |      |     |      |      |    |                   |          |  |                  |
| G <sup>1</sup> / <sub>8</sub>     | 4.7               | 6              | 14   | 25   | 5.1 | -    | 50.5 | 13 | 19                | 186336   | QST-V0-G <sup>1</sup> / <sub>8</sub> -6  | 10               |
|                                   | 5.4               | 8              | 16   | 25.3 | 5.1 | -    | 55.2 | 14 | 23                | 186337   | QST-V0-G <sup>1</sup> / <sub>8</sub> -8  | 10               |
| G <sup>1</sup> / <sub>4</sub>     | 5.7               | 6              | 14   | 26.5 | 5.6 | -    | 50.5 | 17 | 29                | 186338   | QST-V0-G <sup>1</sup> / <sub>4</sub> -6  | 10               |
|                                   | 6                 | 8              | 16   | 26.8 | 5.6 | -    | 55.2 | 17 | 32                | 186339   | QST-V0-G <sup>1</sup> / <sub>4</sub> -8  | 10               |
|                                   | 7.3               | 10             | 19   | 32.5 | 5.6 | -    | 60.8 | 17 | 41                | 186340   | QST-V0-G <sup>1</sup> / <sub>4</sub> -10 | 10               |
|                                   | 8.8               | 12             | 22.2 | 34.5 | 5.6 | -    | 66.8 | 21 | 64                | 186341   | QST-V0-G <sup>1</sup> / <sub>4</sub> -12 | 10               |
| G <sup>3</sup> / <sub>8</sub>     | 7.2               | 8              | 16   | 28.3 | 6.6 | -    | 55.2 | 19 | 45                | 186342   | QST-V0-G <sup>3</sup> / <sub>8</sub> -8  | 10               |
|                                   | 8                 | 10             | 19   | 34   | 6.6 | -    | 60.8 | 19 | 51                | 186343   | QST-V0-G <sup>3</sup> / <sub>8</sub> -10 | 10               |
|                                   | 8.8               | 12             | 22.2 | 36   | 6.6 | -    | 66.8 | 21 | 59                | 186344   | QST-V0-G <sup>3</sup> / <sub>8</sub> -12 | 1                |
| G <sup>1</sup> / <sub>2</sub>     | 9.6               | 10             | 19   | 37   | 7.6 | -    | 60.8 | 24 | 77                | 186345   | QST-V0-G <sup>1</sup> / <sub>2</sub> -10 | 1                |
|                                   | 9.9               | 12             | 22.2 | 39   | 7.6 | -    | 66.8 | 24 | 84                | 186346   | QST-V0-G <sup>1</sup> / <sub>2</sub> -12 | 1                |

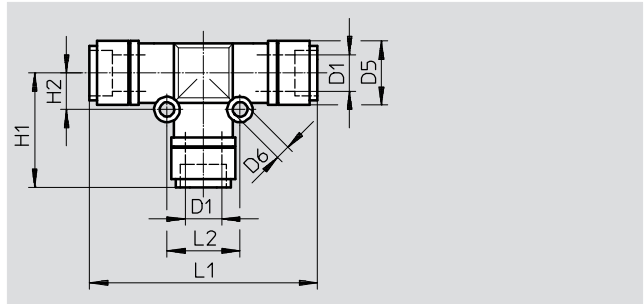
1) Packaging unit quantity

# Push-in fittings QS-V0, weld spatter resistant

Technical data

FESTO

## Push-in T-connector QST-V0



| Dimensions and ordering data |              |      |     |       |     |      |    |                  |               |                  |                  |
|------------------------------|--------------|------|-----|-------|-----|------|----|------------------|---------------|------------------|------------------|
| Tube O.D.                    | Nominal size | D5   | D6  | H1    | H2  | L1   | L2 | Weight/<br>piece | Part No.      | Type             | PU <sup>1)</sup> |
| D1                           | [mm]         | ∅    | ∅   |       |     |      |    | [g]              |               |                  |                  |
| 4                            | 2.6          | 12   | 3.2 | 22.3  | 6.5 | 44.6 | 13 | 9.4              | <b>132896</b> | <b>QST-V0-4</b>  | <b>10</b>        |
| 6                            | 4            | 14   | 3.2 | 25.15 | 8   | 50.3 | 16 | 14               | <b>160533</b> | <b>QST-V0-6</b>  | <b>10</b>        |
| 8                            | 5            | 16   | 3.2 | 27.4  | 9   | 54.8 | 18 | 18               | <b>160534</b> | <b>QST-V0-8</b>  | <b>10</b>        |
| 10                           | 6.7          | 19   | 4.2 | 30.4  | 12  | 60.8 | 24 | 28               | <b>160535</b> | <b>QST-V0-10</b> | <b>10</b>        |
| 12                           | 8.7          | 22.2 | 4.2 | 33.2  | 14  | 66.8 | 28 | 41               | <b>160536</b> | <b>QST-V0-12</b> | <b>1</b>         |

1) Packaging unit quantity

# Push-in fittings QS

Accessories

## Release tool QSO

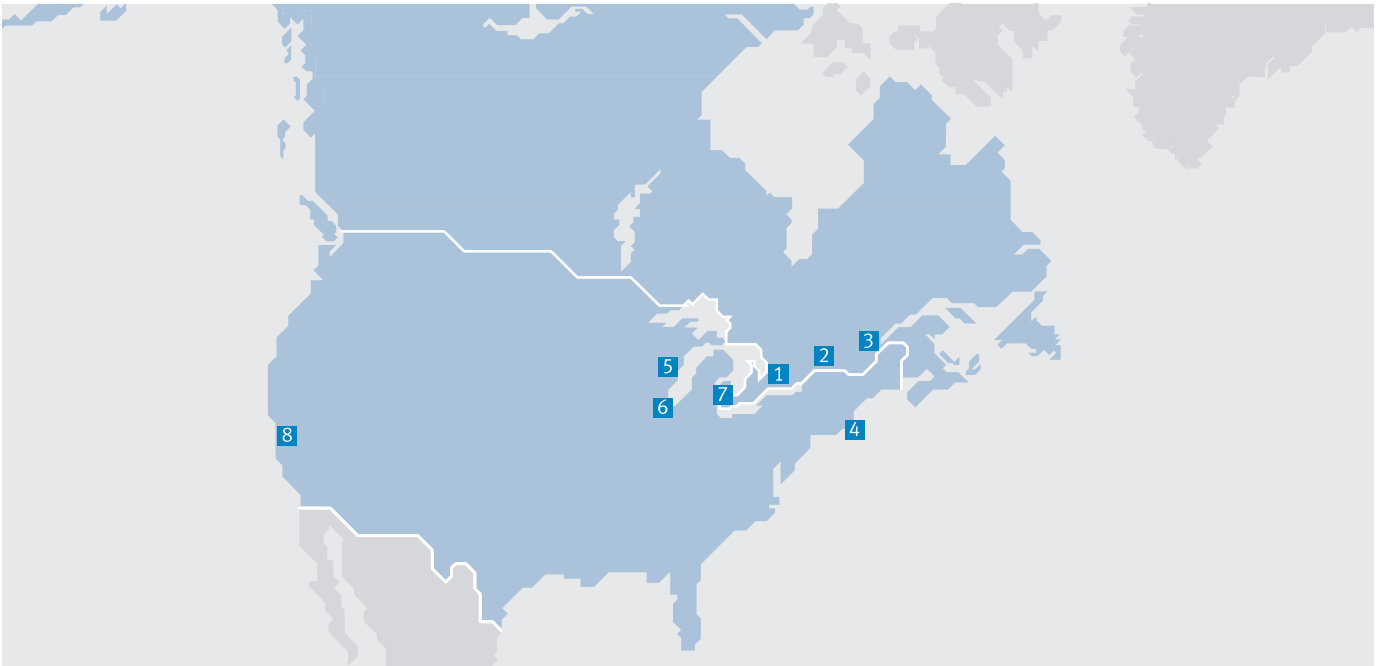
Release aid for QS push-in fittings



| Dimensions and ordering data |                         |               |            |                  |
|------------------------------|-------------------------|---------------|------------|------------------|
| Tubing O.D.                  | Weight/<br>piece<br>[g] | Part No.      | Type       | PU <sup>1)</sup> |
| 3 ... 10                     | 13                      | <b>158419</b> | <b>QSO</b> | <b>1</b>         |

1) Packaging unit quantity

# Festo North America



**1 Festo Canada  
Headquarters  
Festo Inc.**  
5300 Explorer Drive  
Mississauga, ON  
L4W 5G4

**2 Montréal**  
5600, Trans-Canada  
Pointe-Claire, QC  
H9R 1B6

**3 Québec City**  
2930, rue Watt#117  
Québec, QC  
G1X 4G3



**4 Festo United States  
Headquarters  
Festo Corporation**  
395 Moreland Road  
Hauppauge, NY  
11788

**5 Appleton**  
North 922 Tower View Drive, Suite N  
Greenville, WI  
54942

**7 Detroit**  
1441 West Long Lake Road  
Troy, MI  
48098

**6 Chicago**  
85 W Algonquin - Suite 340  
Arlington Heights, IL  
60005

**8 Silicon Valley**  
4935 Southfront Road, Suite F  
Livermore, CA  
94550

## Festo Regional Contact Center

### Canadian Customers

Commercial Support:  
Tel: 1 877 GO FESTO (1 877 463 3786)  
Fax: 1 877 FX FESTO (1 877 393 3786)  
Email: festo.canada@ca.festo.com

Technical Support:  
Tel: 1 866 GO FESTO (1 866 463 3786)  
Fax: 1 877 FX FESTO (1 877 393 3786)  
Email: technical.support@ca.festo.com

### USA Customers

Commercial Support:  
Tel: 1 800 99 FESTO (1 800 993 3786)  
Fax: 1 800 96 FESTO (1 800 963 3786)  
Email: customer.service@us.festo.com

Technical Support:  
Tel: 1 866 GO FESTO (1 866 463 3786)  
Fax: 1 800 96 FESTO (1 800 963 3786)  
Email: product.support@us.festo.com