

PRODUCT INFORMATION PACKET

FASCO®

Model No: D1046
Catalog No: D1046
1/8 HP OEM Replacement Motor, 1070 RPM, 115 Volts, 42 Frame, OAO
OEM Replacement Motors



Regal and Fasco are trademarks of Regal Rexnord Corporation or one of its affiliated companies.
©2021 Regal Rexnord Corporation, All Rights Reserved. MC017097E

RegalRexnord



Nameplate Specifications

Output HP	1/8 Hp	Output KW	0.10 kW
Frequency	60 Hz	Voltage	115 V
Current	5.1 A	Speed	1070 rpm
Service Factor	1	Phase	1
Duty	Air Over	Insulation Class	B
Frame	42	Enclosure	Open Air Over
Thermal Protection	Thermally Protected	Ambient Temperature	40 °C
UL	Recognized	CSA	Y
CE	N	Number of Speeds	1

Technical Specifications

Electrical Type	Shaded Pole	Starting Method	Across The Line
Poles	6	Rotation	Clockwise Shaft End
Mounting	Resilient Rings	Drive End Bearing	Sleeve
Opp Drive End Bearing	Sleeve	Frame Material	Na
Shaft Type	Flat	Overall Length	6.71 in
Shaft Diameter	0.500 in	Shaft Extension	3.00 in
Connection Drawing	NA	Outline Drawing	7151362908_S001

This is an uncontrolled document once printed or downloaded and is subject to change without notice. Date Created:10/12/2021

NOTES:

1. THRU AIR SPACING BETWEEN WIRE AND METAL .10 MIN.
2. TIE BOLT TORQUE TOLERANCE 10-15 IN. LBS.
3. FOR WASHER SET-UP, SEE CHART C600 0279, DETAIL "H".
4. ROTOR FREENESS TO BE 1 OZ. IN.
5. SALES TO SPECIFY ON P.O. WHICH PACK TO USE.

ECO	REV.	DATE	SPEC/CHECK
631922	5	10-14-03	MKR/MKR
635395	6	12-08-05	GAE/GAE
638483	7	8-5-08	MKR/MKR
639352	8	4-2-09	MKR/MKR

A. SEE PACKAGING MANUAL PAGE 2 FOR PACKAGING PROCEDURES.

1 MOTOR/CARTON;
32 MOTORS/LAYER;
6 LAYERS/PALLET;
192 MOTORS/PALLET.

B. SEE DRAWING 8785 6079 SH. 1 FOR PALLET LAYOUT.

C. CENTER LABEL, 6119 6630, ON END OF CARTON.

D. PLACE PAMPHLET, 6122 4579, IN CARTON WITH MOTOR.

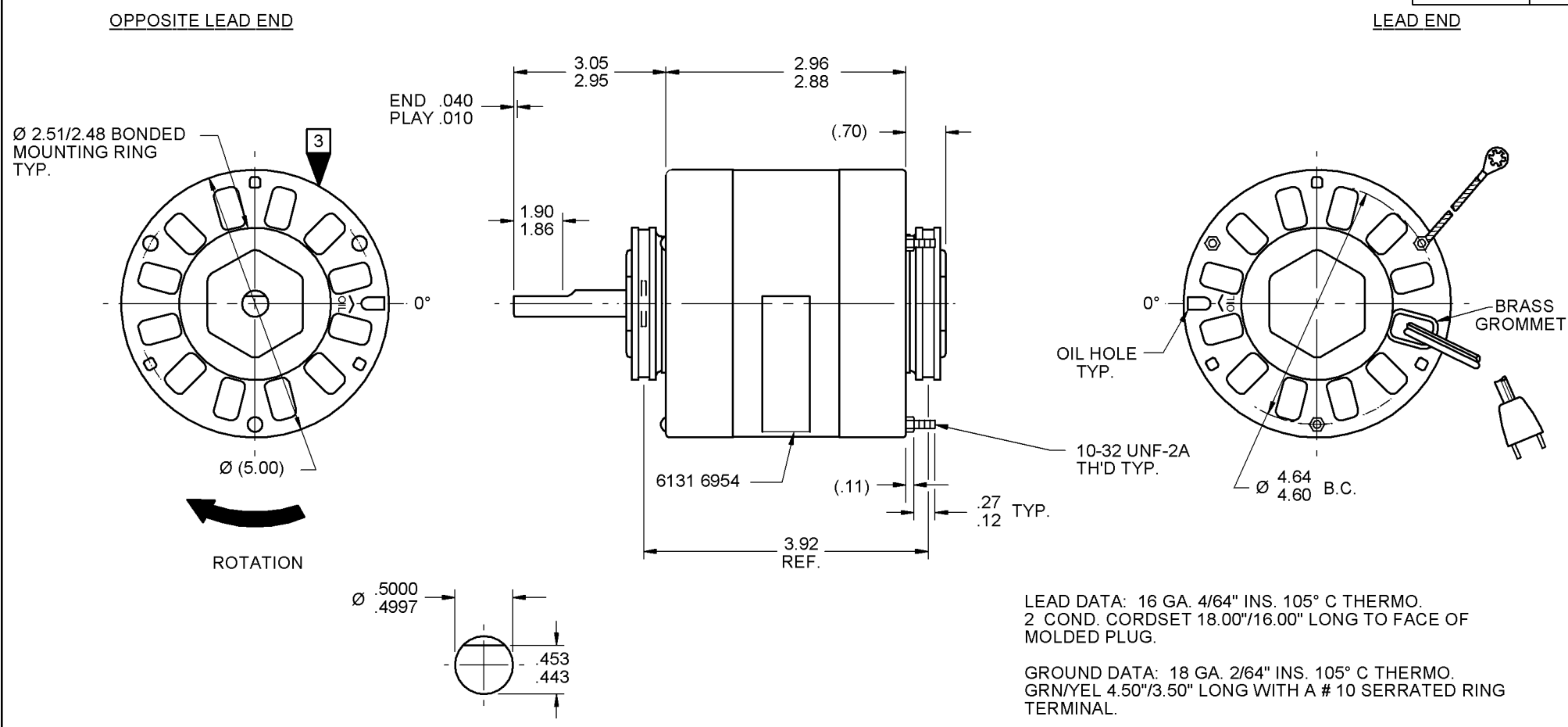
71xx xxxxM

71xx xxxxC

PRODUCTION TEST AT IDLE 115 VOLTS 60 HZ		MOTOR SPEED	PERFORMANCE TEST 115 VOLTS 60 HZ 1 PH 1/8 HP											
AMP	WATT		IDLE			LOADED				LOCKED			BREAK	
			RPM	AMP	WATT	OZ/IN	RPM	AMP	WATT	OZ/IN	AMP	WATT	OZ/IN	
5.06 — 4.14	256.3 — 209.7	HIGH	1180	4.6	233	139	1070	5.0	331	56	6.7	428	172	

HI-POT TEST 2000 VOLTS
MAX LEAKAGE CURRENT 5 mA

7151 3629 MA



7151 3629 = MADE IN U.S.A.
7151 3629M = ASSEMBLED IN MEXICO

FASCO FASCO INDUSTRIES, INC. MOTOR DIVISION

THERMALLY PROTECTED OSB

SAFETY WARNING
THIS MOTOR MUST BE GROUNDED IN ACCORDANCE WITH LOCAL OR NATIONAL ELECTRICAL CODES TO PREVENT POSSIBLE INJURY DUE TO ELECTRICAL SHOCK.

V. 115 HZ 60 PH 1 ROT
HP 1/8 AO NO. 7151-3629
AMP 5.1 TYPE U51B1
RPM 1070 INS CL B 40° C AMB

DATE/BAR CODE AREA PER 8882 6003

6131 6954,M REV. 4

LOCATE ϕ OF NAMEPLATE ON ϕ OF STATOR CENTERING "TOP" AT 0° TO READ RIGHT FROM LEAD END OF MOTOR.

SIZE 3.50 X 1.00

SPECIAL INSTRUCTIONS: SHAFT IS BONDERIZED. PAMPHLET PACKED WITH MOTOR.			
MOTORS PACKED MAX. PER SKID: ___ PALLET PACK, 192 CARTON PACK.			
CUSTOMER: FASCO DISTRIBUTING CO.		PROPRIETARY: DO NOT DUPLICATE OR DISCLOSE TO THIRD PARTIES WITHOUT WRITTEN PERMISSION OF FASCO IND. INC., ELDON MO.	
PART NUMBER: D1046		FASCO INDUSTRIES, INC. MOTOR DIVISION ELDON PLANT	
APPLICATION: DIST. SALES	MOTOR TYPE	MOTOR NUMBER	REV.
FINISH COLOR: GRAY	SHADED POLE	7151 3629	8
MOTOR WEIGHT: 7.63 LBS.	B LA FR A S C E B A	M	
ENVIRONMENT: DAMP	00 51 11 V 05 AE 5 8 0		
INSULATION CLASS: B			

If Printed, this is an Uncontrolled Document.