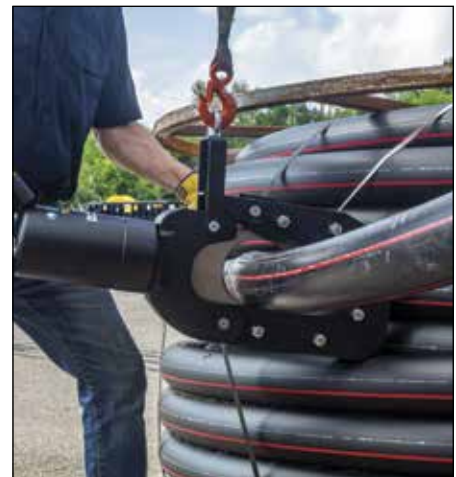



When you need to make cuts through heavy-duty bar, chain, cable and similar materials, look no further than Enerpac's broad range of cutters.

An extensive lineup of hydraulic, electric and manual cutters provides a quick, safe and cost-effective solution for technicians from construction, mining, manufacturing and many other industries.

Enerpac's cutters are built to handle industrial-grade materials on a daily basis.

Like all Enerpac tools, each cutter is designed and built to last in tough working conditions for a safer, simpler and more productive workflow.



Cutter Type		Maximum Tool Capability*	Series	Power Source	Page
Bar Cutters		2.04" (Maximum Material Cutting Diameter)	<b>EB</b>		Hydraulic, Electric, Cordless <b>222</b> ▶
Decommissioning Cutters		6.69" (Maximum Blade Aperture)	<b>EDC</b>		Hydraulic <b>226</b> ▶
Flat Bar Cutters		2.75" x 0.59" (Maximum Material Cutting Height and Width)	<b>EFB</b>		Electric <b>227</b> ▶
Chain Cutters		1.25" (Maximum Link Cutting Diameter)	<b>ECC</b>		Electric <b>228</b> ▶
Wire and Cable Cutters		7.09" (Maximum Material Cutting Diameter)	<b>EWC</b>		Hydraulic, Electric <b>230</b> ▶
Cutter / Spreader Combination Tools		11.81" (Maximum Blade Aperture)	<b>ECS</b>		Electric <b>233</b> ▶
Hydraulic Cutterheads		4.00" (Maximum Material Cutting Diameter)	<b>WHC WHR STC</b>		Hydraulic <b>234</b> ▶
Self-Contained Hydraulic Cutters		3.38" (Maximum Material Cutting Diameter)	<b>WMC</b>		Manual <b>235</b> ▶
Pumps and Accessories		1.5 - 7.5 hp	<b>EBH EWCH</b>		Electric <b>236</b> ▶
Pumps and Accessories		1.4 - 7.5 hp	<b>EDCH</b>		Electric, Cordless <b>237</b> ▶

\* Actual cutting capabilities may vary depending on material being cut.

▼ Shown left to right: EBC20B, EBH30, EBE22B



## Your Fast, Safe and Simple Solution for Cutting Metal Bar



### Internal Mechanics

**EBH-Series:** Cylinder is driven by an external Enerpac pump

**EBE, EBC-Series:** Cylinder is driven by a radial pump powered by an electric motor.

### Productivity

- A broad range of hydraulic and electric tools quickly and easily cut through heavy-duty bar
- Highly durable, long-lasting blades outlast angle grinder or saw blades

### Safety

- Controlled cutting process enhances user safety compared with use of cut-off blades
- Minimal spark risk compared to torching, grinding and sawing methods
- Cutters produce minimal vibration, helping prevent HAVS (Hand Arm Vibration Syndrome)



### Typical Bar Cutting Applications

- Commercial and residential construction
- Concrete and masonry
- Metal fabrication
- Industrial manufacturing

▼ Enerpac's bar cutters are built to handle tough cutting applications.



# EBH-Series Hydraulic Bar Cutters



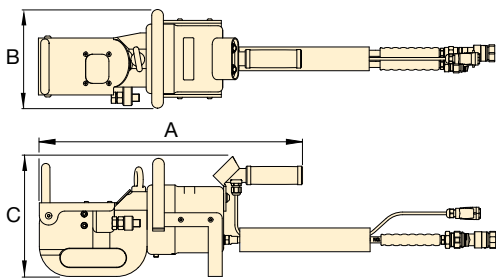
## EBH-Series Hydraulic Bar Cutters

EBH-Series Hydraulic Bar Cutters are driven by a specialized external hydraulic pump for optimal power

and a higher duty cycle compared with other cutter types.

These cutters are ideal for use in production or manufacturing facilities with demanding, high-volume cutting applications.

- ① Highly durable blades maintain effectiveness throughout rigorous use
- ② Safety guard helps protect hands from injury
- ③ Heavy-duty cutting head provides a longer operational life
- ④ Lifting handle enables easier positioning and transport
- ⑤ Double-acting cylinder with advance and retract buttons improves control and reduces jamming
- ⑥ External hydraulic pump helps keep the tool cool, improving operational time (pump, hose, and pump coupler sold separately)



Drawings are for guidance purposes only, exact tool configurations vary by model.

Maximum Material Diameter* (in)	Model Number	Maximum Material Tensile Strength* (psi)	Maximum Material Hardness* (HRc)	Maximum Cutting Force (tons)	Maximum Hydraulic Operating Pressure (psi)	Dimensions (in)			Weight (lbs)	Replacement Blade Kit Number
						A	B	C		
1.18	<b>EBH30</b>	87,000	43	50	10,000	18.9	7.2	8.7	46	<b>EBH3001K</b>
1.38	<b>EBH35</b>	89,900	43	68	10,000	22.3	8.4	10.2	106	<b>EBH3501K</b>
2.04	<b>EBH52</b>	72,500	43	121	10,000	30.1	10.39	12.2	299	<b>EBH5201K</b>

\* Maximum material properties indicated refer to the material to be cut.

## EBH Series



Maximum Material Hardness:

**43 HRc**

Maximum Material Diameter:

**1.18 - 2.04 inches**

Maximum Operating Pressure:

**10,000 psi**



### Pumps and Accessories

The EBH-Series Cutters are designed to work with specialized ZE4 and ZE6-Series pumps.

Pump models vary by voltage type. The pump and hose are sold separately. Both are required for the system to function. See page 236 for complete details on required pumps and accessories.

Page: 236



Optional gauges and accessories may be used to monitor pressure in the hydraulic circuit. Enerpac recommends **Gauge Kit GKHC** for use with Enerpac hydraulic cutters.



## EBE-Series Electric Bar Cutters

The versatile EBE-Series Electric Bar Cutters

quickly cut through heavy-duty bar up to one inch (26 mm) in diameter without the need for an external hydraulic

pump. Their compact size and low weight enable them to be easily transported and used wherever an external power source is available.

## EBE Series



Maximum Material Hardness:

**43 HRC**

Maximum Material Diameter:

**0.87 - 1.02 inches**

Voltage\*:

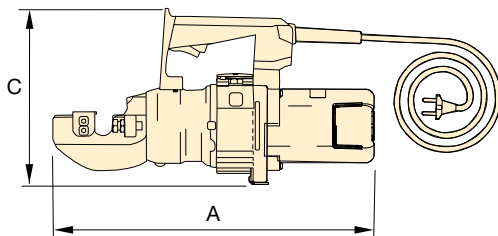
**120 and 230 Volts**

\* ETL certification applies to 120V tools only

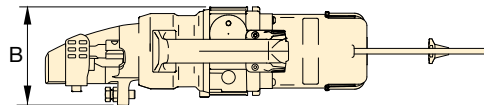
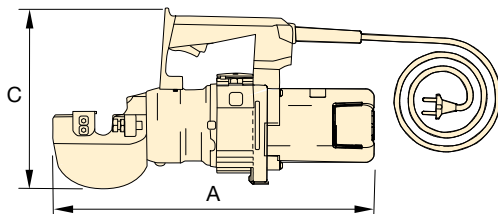
- ① Highly durable blades maintain effectiveness throughout rigorous use
- ② Safety guard helps protect hands from injury
- ③ Heavy-duty cutting head provides a longer operational life
- ④ Lifting handle enables easy positioning and transport
- ⑤ Piston-release mechanism allows blade to be reset, reducing jamming and providing a controlled cutting process



**EBE22**



**EBE26**



**Voltage: (Model No. ending with suffix)**

**B** = 120V, 60 Hz (with American-style NEMA 1-15 plug)

**E** = 230V, 50 Hz (with European-style SCHUKO plug)

Maximum Material Diameter* (in)	Power Specifications				Model Number	Maximum Material Tensile Strength* (psi)	Maximum Material Hardness* (HRC)	Maximum Cutting Force (tons)	Dimensions (in)			Cord Length (ft)	Wt. (lbs)	Replacement Blade Kit Number
	Volts	Hz	Amps	Watts					A	B	C			
0.87	120	60	11	1300	<b>EBE22B</b>	94,275	43	25.1	18.1	5.5	9.8	6	29	<b>EBE2201K</b>
0.87	230	50	6.8	1400	<b>EBE22E</b>	94,275	43	25.1	18.1	5.5	9.8	10	29	<b>EBE2201K</b>
1.02	120	60	11	1300	<b>EBE26B</b>	94,275	43	37	18.4	5.5	10.2	6	35	<b>EBE2601K</b>
1.02	230	50	6.8	1400	<b>EBE26E</b>	94,275	43	37	18.4	5.5	10.2	10	35	<b>EBE2601K</b>

\* Maximum material properties indicated refer to the material to be cut.

# EBC-Series Cordless Bar Cutters



## EBC-Series Cordless Bar Cutters

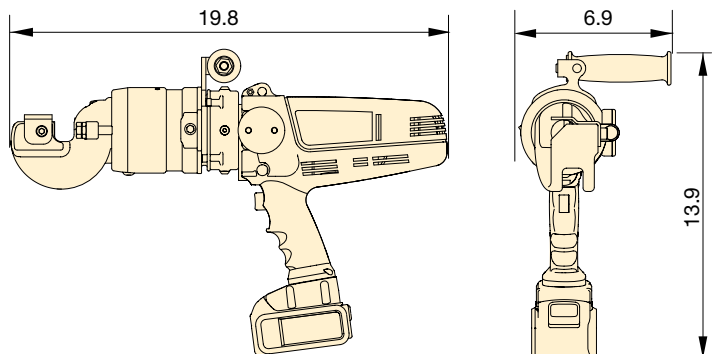
The highly portable EBC-Series Cordless Bar Cutters quickly and easily slice through up to number 6 rebar, or similar metal bar up to 0.79" (20mm) in diameter.

A powerful 20V Lithium-ion battery provides mobility and long lasting performance, making these tools the perfect go-to solution for the jobsite, including remote locations, or anywhere an external power source is not available.

- ① Highly durable blades maintain effectiveness throughout rigorous use
- ② Safety guard helps protect hands from injury
- ③ Highly durable cutting head can be rotated 360 degrees to aid in the positioning of the blades on the application.
- ④ Lifting handle enables easy positioning and transport
- ⑤ Piston-release mechanism allows blade to be reset, providing a controlled cutting process and reducing jamming
- ⑥ Powerful 20V battery provides high performance and complete mobility



Dimensions shown in inches.



## EBC Series



Maximum Material Hardness:

**43 HRC**

Maximum Material Diameter:

**0.79 inches**

\* ETL certification applies to 120V tools only



## Batteries and Chargers

EBC-Series Cutters come standard with two DeWALT® TM 20V-5Ah Lithium-ion batteries and one DeWALT® TM 12V and 20V charger. Additional batteries and chargers sold separately.

EBC-Series Cutters work with DeWALT® 20V MAX® batteries. DeWALT® is a registered trademark of DEWALT Industrial Tool Co., which has not manufactured, licensed, approved, or endorsed this cutter product.

## EBC-Series Replacement Parts

To order replacement parts, use one of the model numbers shown below.

For Cutter Model No.	DeWALT® Lithium-ion Battery	Li-ion Battery Charger 12V and 20V
EBC20B	B205	BC1220B
EBC20E	B185	BC1220E

## Charger Voltage: (Model No. ending with suffix)

- B** = 120V, 60 Hz (with American-style NEMA 1-15 plug)
- E** = 230V, 50 Hz (with European-style SCHUKO plug)

Maximum Material Diameter*	Power Specifications			Model Number**	Maximum Material Tensile Strength*	Maximum Material Hardness*	Maximum Cutting Force	Weight (without battery)	Replacement Blade Kit Number
	Battery Input Voltage (volts)	Amps	Watts						
0.79 (in)	18-20	46	830	<b>EBC20B</b>	94,275 (psi)	43 (HRC)	21.2 (tons)	19.2 (lbs)	<b>EBC2001K</b>
0.79	18-20	46	830	<b>EBC20E</b>	94,275	43	21.2	19.2	<b>EBC2001K</b>

\* Maximum material properties indicated refer to the material to be cut.

\*\* To order an EBC-Series Cutter without batteries or a charger, remove the "B" or "E" from the Model Number, e.g. "EBC20"

▼ Shown: EDCH130



## EDCH Series



Maximum Material Hardness:

**41 HRc**

Maximum Blade Aperture:

**5.12 – 6.69 inches**

Maximum Operating Pressure:

**10,000 psi**



### Pumps and Accessories

The EDCH-Series Cutters are designed to work with specialized ZC3, ZE4 and ZE6-Series pumps.

The pump and hose are sold separately. Both are required for the system to function. See page 237 for complete details on required pumps and accessories.

Page: 237

### Productivity

- **Powerful jaws and an exceptionally large blade aperture enable use on a large variety of applications including metal tubes, communication cables, profiles and similar materials\***
- **Multiple pump options provide power, speed and mobility for all your applications**

### Safety

- **Minimal spark risk compared with torching, grinding and sawing methods**
- **Cutters produce minimal vibration, helping prevent HAVS (Hand Arm Vibration Syndrome)**

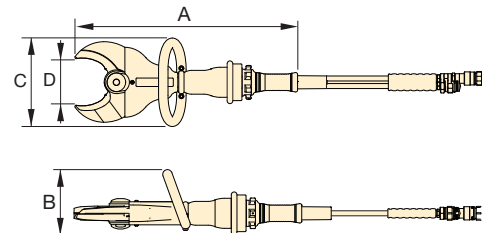
\* NOTE: Do not use to cut wire rope. Use instead the wire and rope cutter, page 232.



Optional gauges and accessories may be used to monitor pressure in the hydraulic circuit. Enerpac recommends **Gauge Kit GKHC** for use with Enerpac hydraulic cutters.



- ① Durable blades maintain efficiency throughout rigorous use
- ② Double-acting steel piston and cylinder improve robustness and control
- ③ Control knob immediately stops the tool when released, improving operator safety
- ④ External hydraulic pump helps keep tool cooler and working longer (pump, hose, and pump coupler sold separately)



Maximum Blade Aperture (in)	Model Number	Maximum Material Tensile Strength* (psi)	Maximum Material Hardness* (HRc)	Maximum Hydraulic Operating Pressure (psi)	Dimensions (in)				Weight (lbs)	Replacement Blade Kit Number
					A	B	C	D		
5.12	<b>EDCH130</b>	94,275	41	10,000	23.2	6.7	9.2	5.1	25.4	<b>EDCH13001K</b>
5.70	<b>EDCH145</b>	94,275	41	10,000	27.0	8.1	9.7	5.7	37.3	<b>EDCH14501K</b>
6.69	<b>EDCH170</b>	94,275	41	10,000	28.9	6.8	9.8	6.7	53.4	<b>EDCH17001K</b>

\* Maximum material properties indicated refer to the material to be cut.

# EFB-Series Flat Bar Cutters

▼ Shown: EFBE5017B



## EFBE Series



Maximum Material Hardness:

**33 HRC**

Maximum Material Dimensions:

**1.96 x 0.67 – 2.75 x 0.59 in.**

Voltage\*:

**120 and 230 volts**

\* ETL certification applies to 120V tools only

### Productivity

- Cut through high-tensile flat bar in seconds
- Highly durable, long-lasting blades offer increased longevity and less down time

### Safety

- Controlled cutting process enhances operator safety
- Minimal spark risk compared with torching, grinding and sawing methods



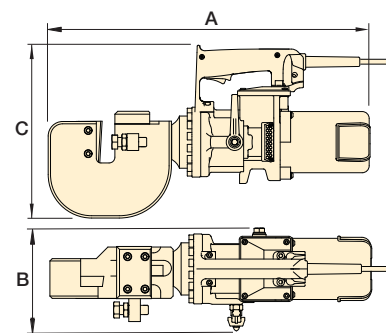
### Replacement Blade Kits

To order replacement parts use one of the model numbers shown below.

For Cutter Model Number	Order Blade Kit Number
EFBE5017B	EFBE501701K
EFBE5017E	EFBE501701K
EFBE7015B	EFBE701501K
EFBE7015E	EFBE701501K



- ① Highly durable blades cut through flat bar, maintaining effectiveness throughout rigorous use
- ② Heavy-duty cutting head provides a longer operational life
- ③ Robust handle enables easy positioning and transport
- ④ Piston-release mechanism allows blade to be retracted, providing a controlled cutting process and reducing jamming



**Voltage: (Model No. ending with suffix)**

**B** = 120V, 60 Hz (with American-style NEMA 1-15 plug)

**E** = 230V, 50 Hz (with European-style SCHUKO plug)

Max. Material Dimensions* (in)		Power Specifications				Model Number	Maximum Material Tensile Strength* (psi)	Maximum Material Hardness* (HRC)	Maximum Cutting Force (tons)	Cord Length (ft)	Dimensions (in)			Wt. (lbs)
Height	Width	Volts	Hz	Amps	Watts						A	B	C	
1.96	0.67	120	60	11.0	1300	EFBE5017B	65,267	33	29.8	6	19.0	6.9	10.7	46
1.96	0.67	230	50	6.8	1400	EFBE5017E	65,267	33	29.8	10	19.0	6.9	10.7	46
2.75	0.59	120	60	11.0	1300	EFBE7015B	65,267	33	29.8	6	21.9	6.9	11.7	66
2.75	0.59	230	50	6.8	1400	EFBE7015E	65,267	33	29.8	10	21.9	6.9	11.7	66

\* Maximum material properties indicated refer to the material to be cut.

▼ Shown: ECCE32B-Series Chain Cutter



## Your Simple Solution for Cutting High-Strength Industrial Chain



### Internal Mechanics

**ECCE-Series:** Cylinder is driven by a radial pump powered by an electric motor.



### Typical Chain Cutting Applications

- Chain manufacturing
- Mining
- Rigging / material handling for transport
- Oil and gas
- Marine

### Productivity

- Quickly cut through heavy-duty chain links with minimal effort
- Highly durable blades outlast angle grinder or saw blades

### Safety

- Controlled cutting process behind a protective shield enhances safety
- Precisely cut only selected link, helping prevent damage to adjacent links and weakening of chain
- Minimal spark risk compared to torching, grinding and sawing methods
- Cutters produce minimal vibration, helping prevent HAVS (Hand Arm Vibration Syndrome)

▼ *Cut through chain links with ease using Enerpac's chain cutters.*



# ECCE-Series Electric Chain Cutters

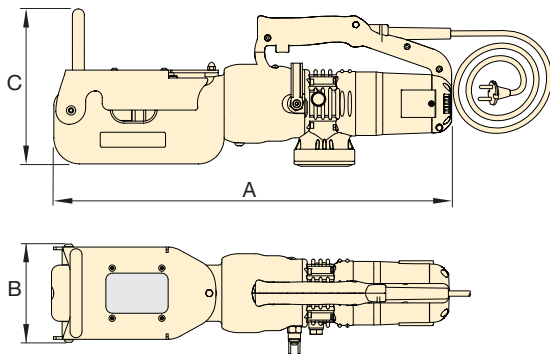
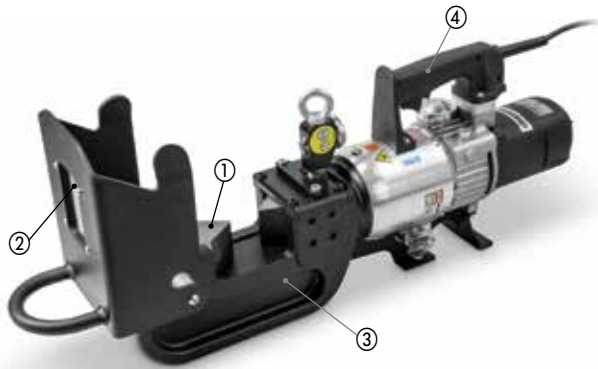


## ECCE-Series Electric Chain Cutters

ECCE-Series Electric Chain Cutters are ideal for applications where safety is paramount. Unlike other cutting methods, Enerpac's chain cutters precisely cut selected chain links behind an enclosed, transparent safety guard.

This not only protects the operator's hands, it also helps prevent damage to adjacent links, which often results from using alternative cutting methods like torches or cut-off tools.

- ① Highly durable blades cut through heavy-duty chain, maintaining effectiveness throughout rigorous use
- ② Transparent safety guard protects hands and allows continuous monitoring for better management of cutting process
- ③ Heavy-duty cutting head provides a longer operational life
- ④ Lifting handle and eyebolt enable easy positioning and transport



### Voltage: (Model No. ending with suffix)

- B** = 120V, 60 Hz (with American-style NEMA 1-15 plug)
- E** = 230V, 50 Hz (with European-style SCHUKO plug)

## ECCE Series



Maximum Material Hardness:

**46 HRc**

Maximum Material Diameter:

**1.25 inches**

Maximum Grade Chain:

**100**

Voltage\*:

**120 and 230 volts**

\* ETL certification applies to 120V tools only

Maximum Material Diameter <sup>1)2)</sup> (in)			Power Specifications				Model Number	Maximum Material Hardness <sup>1)</sup> (HRc)	Maximum Cutting Force (tons)	Dimensions (in)			Cord Length (ft)	Wt. (lbs)	Replacement Blade Kit Number
Grade 70	Grade 80	Grade 100	Volts	Hz	Amps	Watts				A	B	C			
1.00	1.00	0.5	120	60	10.0	1200	<b>ECCE26B</b>	46	35.1	23.6	6.0	9.3	6	55	<b>ECCE2601K</b>
1.00	1.00	0.5	230	50	5.3	1100	<b>ECCE26E</b>	46	35.1	23.6	6.0	9.3	10	55	<b>ECCE2601K</b>
1.25	1.00	0.75	120	60	11.0	1300	<b>ECCE32B</b>	46	52.9	27.5	7.5	12.6	6	106	<b>ECCE3201K</b>
1.25	1.00	0.75	230	50	6.8	1400	<b>ECCE32E</b>	46	52.9	27.5	7.5	12.6	10	106	<b>ECCE3201K</b>

<sup>1)</sup> Cutting larger chains or those of a grade higher than those recommended will result in increased wear, and may damage the tool.

<sup>2)</sup> All links over 1/2" must be cut in two passes, with each pass cutting one side of the link.

▼ Shown left to right: EWCH90 and EWCE55B



## The Quick and Clean Way to Cut Cable and Wire Rope



### Internal Mechanics

**EWCH-Series:** Cylinder is driven by an external Enerpac pump.

**EWCE-Series:** Cylinder is driven by a radial pump powered by an electric motor



### Typical Wire and Cable Cutting Applications

- Telecommunications
- Electrical installation and maintenance
- Power generation and transmission
- Shipbuilding

### Productivity

- A broad range of hydraulic and electric tools quickly and easily cut through cable and wire rope

### Safety

- Controlled cutting process enhances operator safety
- Minimal spark risk compared with torching, grinding and sawing methods
- Cutters produce minimal vibration, helping prevent HAVS (Hand Arm Vibration Syndrome)

▼ Guillotine-style blades make quick work of electrical cables and wire rope.



# EWCH-Series Hydraulic Wire and Cable Cutters



## EWCH-Series Hydraulic Wire and Cable Cutters

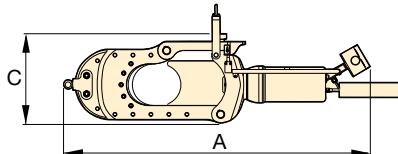
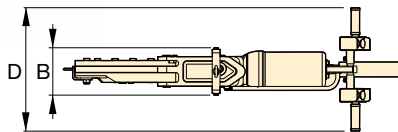
EWCH-Series Hydraulic Wire and Cable Cutters are ideal for use in production facilities where demanding, high-volume cutting applications are often encountered.

Each tool is driven by a specialized external hydraulic pump, which provides greater cutting force and allows for higher duty cycles compared with other cutter types.

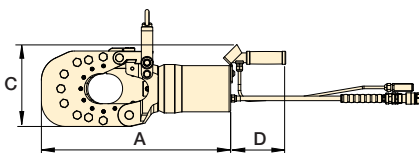
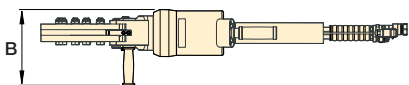
- ① Guillotine-style blades maintain effectiveness throughout rigorous use
- ② Cutting head can be opened and closed to help position material to be cut
- ③ Eyebolt facilitates easy lifting
- ④ Double-acting cylinder with advance and retract buttons improves control and reduces jamming
- ⑤ External hydraulic pump helps keep tool cooler and working longer (pump, hose, and pump coupler sold separately)



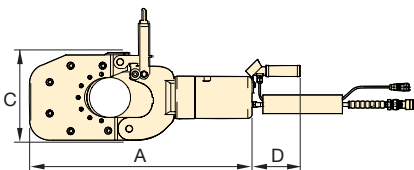
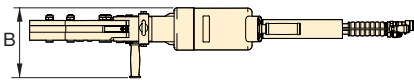
**EWCH180**



**EWCH90**



**EWCH140**



## EWCH Series



Maximum Material Hardness (Cable):

**43 HRc**

Maximum Material Diameter:

**3.54 - 7.09 inches**

Maximum Operating Pressure:

**10,000 psi**



### Pumps and Accessories

The EWCH-Series Cutters are designed to work with specialized ZE6-Series pumps.

The pump and hose are sold separately. Both are required for the system to function. See page 236 for complete details on required pumps and accessories.

Page: 236



Optional gauges and accessories may be used to monitor pressure in the hydraulic circuit. Enerpac recommends **Gauge Kit GKHC** for use with Enerpac hydraulic cutters.

Maximum Material Diameter* (in)	Model Number	Maximum Material Tensile Strength* (psi)	Maximum Material Hardness* (HRc)	Maximum Cutting Force (tons)	Maximum Hydraulic Operating Pressure (psi)	Dimensions (in)				Wt. (lbs)	Replacement Blade Kit Number
						A	B	C	D		
3.54	<b>EWCH90</b>	94,275	43	61.8	10,000	22.9	11.1	9.9	6.7	119	<b>EWCH9001K</b>
5.51	<b>EWCH140</b>	94,275	43	61.8	10,000	30.8	9.7	12.2	6.7	198	<b>EWCH14001K</b>
7.09	<b>EWCH180</b>	94,275	43	89.0	10,000	53.7	8.3	15.8	21.7	330	<b>EWCH18001K</b>

\* Maximum material properties indicated refer to the material to be cut.



## EWCE-Series Electric Wire and Cable Cutters

Their lighter weight allows for easier carrying and positioning. Available in 120V and 230V versions.

EWCE-Series Electric Wire and Cable Cutters combine the efficiency and safety of their hydraulic counterparts with the greater portability of electric tools.

## EWCE Series



Maximum Material Hardness:

**48 HRc**

Maximum Material Diameter:

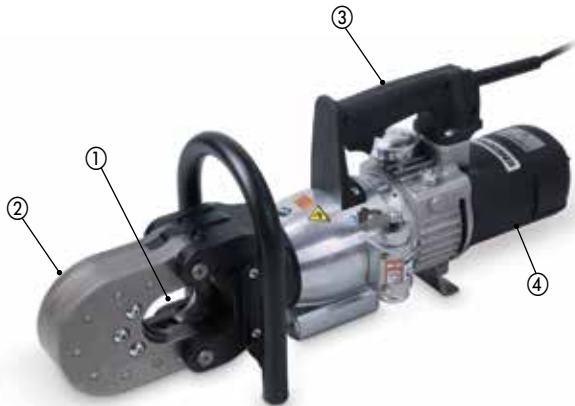
**1.65 - 2.17 inches**

Voltage\*:

**120 and 230 Volts**

\* ETL certification applies to 120V tools only

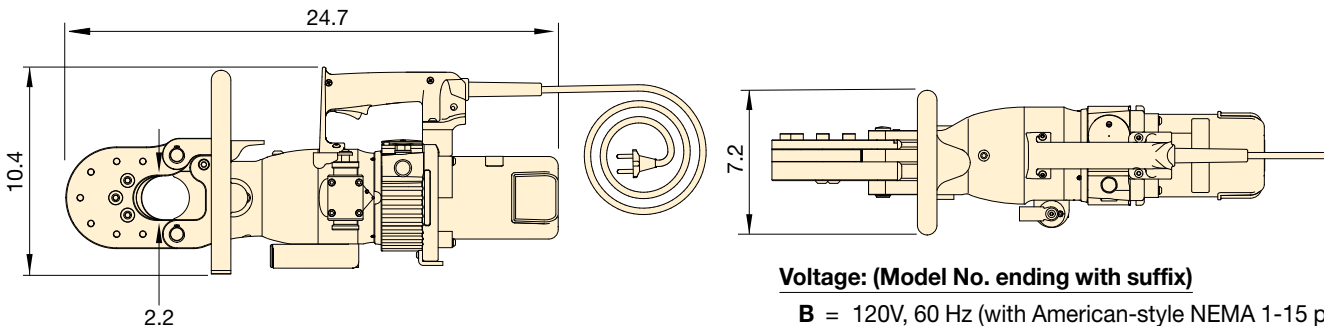
- ① Durable, guillotine-style blades maintain effectiveness throughout rigorous use
- ② Cutting head opens wide for easy positioning of wire or cable
- ③ Robust handles enable easy positioning and transport
- ④ Double-acting cylinder with directional control improves handling and reduces jamming



▼ Cut through wire and cables with ease.



Dimensions shown in inches.



**Voltage: (Model No. ending with suffix)**

**B** = 120V, 60 Hz (with American-style NEMA 1-15 plug)

**E** = 230V, 50 Hz (with European-style SCHUKO plug)

Max. Material Diameter* (in)		Power Specifications				Model No.	Maximum Material Hardness* (HRc)	Maximum Cutting Force (tons)	Cord Length (ft)	Weight (lbs)	Replacement Blade Kit Number
Cable	Rope	Volts	Hz	Amps	Watts						
2.17	1.65	120	60	11.0	1300	<b>EWCE55B</b>	48	38.2	6	55	<b>EWCE5501K</b>
2.17	1.65	230	50	6.8	1400	<b>EWCE55E</b>	48	38.2	10	55	<b>EWCE5501K</b>

\* Maximum material properties indicated refer to the material to be cut.

# ECS-Series Cutter / Spreader Combination Tools

▼ Shown: **ECSE300B**



## ECSE Series



Maximum Material Hardness:

**41 HRc**

Maximum Blade Aperture:

**11.81 inches**

Voltage\*:

**120 and 230 Volts**

\* ETL certification applies to 120V tools only



### Internal Mechanics

**ECSE-Series:** Cylinder is driven by a radial pump powered by an electric motor.



### Typical Cutter / Spreader Applications

- Industrial manufacturing
- Recycling
- Demolition

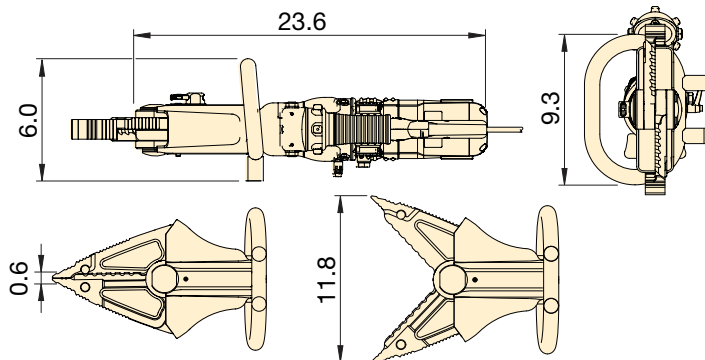
## Productivity

- Blades easily cut through metal profiles, pipes, rods and other obstructions
- Wedges on tips of blades provide powerful spreading force

## Safety

- Controlled cutting process creates minimal spark risk compared with torching, grinding and sawing methods

Dimensions shown in inches.



- ① Highly durable blades grip and cut through metal obstructions with ease
- ② Cutting head can be rotated 180 degrees in each direction for easier access to the application
- ③ Robust handle enables easy positioning and transport
- ④ Double-acting cylinder improves control and reduces jamming
- ⑤ Wedges provide powerful spreading force

## Voltage: (Model No. ending with suffix)

**B** = 120V, 60 Hz (with American-style NEMA 1-15 plug)

**E** = 230V, 50 Hz (with European-style SCHUKO plug)

Maximum Blade Aperture (in)	Power Specifications				Model Number	Maximum Material Tensile Strength* (psi)	Maximum Material Hardness* (HRc)	Maximum Spreading Force** (tons)	Cord Length (ft)	Weight (lbs)	Replacement Jaws Kit Number
	Volts	Hz	Amps	Watts							
11.81	120	60	10.0	1200	<b>ECSE300B</b>	94,275	41	5.17	6	33	<b>ECSE30001K</b>
11.81	230	50	5.3	1100	<b>ECSE300E</b>	94,275	41	5.17	10	33	<b>ECSE30001K</b>

\* Maximum material properties indicated refer to the material to be cut.

\*\* 0.98 inches from jaw tips with jaws closed.

▼ Shown left to right: **WHC3380, WHC750**

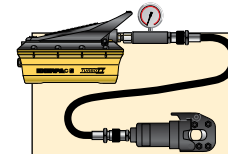


## WHC, WHR, STC Series

Capacity:  
**3 - 20 tons**

Cutting Capacity:  
**0.50 - 4 inches**

Maximum Operating Pressure:  
**10,000 psi**



### Cutterhead Sets

Hydraulic Cutterheads are available as sets (pump, tool and hose).

Cutter Model Number	Pump Model Number	Set Model Number †
WHC750	P392	STC750H
WHC750	P392FP	STC750FP
WHC750	PATG1102N	STC750A
WHC1250	P392	STC1250H
WHC1250	P392FP	STC1250FP
WHC1250	PATG1102N	STC1250A

†: H = Hand Pump, A = Air Operated Pump  
FP = Foot Pump

- Single acting, spring-return on all models, except WHR1250
- Guillotine action for efficient operation
- Lifting handles on larger models
- Carrying bag included for easy carrying and tool protection
- Ideal for use with most Enerpac pumps featuring 3-way valve or dump valve and 10,000 psi pressure rating (except WHR1250, which requires 4-way valve)
- CR400 coupler and dust cap included on all models

▼ Steel rope is easily cut with the smooth guillotine action of an Enerpac cutterhead.



### ▼ Selection Chart Maximum Cutting Capacities (diameter in inches)

Cutter Head Operation	Model Number	Capacity (ton)	Oil Cap. (in <sup>3</sup> )	Steel Wire Rope, Hemp-core or IWRC  6x7 6x12 6x19	Round Bar				Wire Strand			Cable		Length (in)	Wt. (lbs)	Replacement Blade Kit Numbers	
					Copper Wire or Bar	Aluminum Wire or Bar	Soft Steel Bolts	Reinforcing Bar	Bare Copper Wire Strands	Bare Aluminum Wire Strands	ACSR	Guy Steel Wire Strands	Telephone Cable CPP				Underground Cable (Power)
Single-acting	WHC750*	4	1.2	0.63	0.75	0.75	0.75	0.50***	0.75	0.75	0.75	0.63	☆	☆	5.00	7	WCB750
	WHC1250*	20	8.2	1.25	1.25	1.25	1.25	1.00	1.25	1.25	1.25	0.88	☆	☆	11.00	25	WCB1250
	WHC2000	13	7.3	1.00	1.25	1.25	0.88	☆	2.00	2.00	2.00	0.75	☆	☆	15.00	23	WCB2000
	WHC3380	3	4.0	☆	☆	☆	☆	☆	3.00	3.00	☆	☆	3.38	3.38	19.00	20	WCB3380
	WHC4000	8	8.4	☆	☆	☆	☆	☆	3.50	3.50	☆	☆	4.00	4.00	24.00	32	WCB4000
D/A**	WHR1250	20	7.5	1.25	1.25	1.25	1.25	1.00	1.25	1.25	1.25	0.88	☆	☆	16.50	26	WCB1250

\* Available in sets. \*\* D/A = Double-acting \*\*\* Low Alloy

☆ Will not cut designated material

# Self-Contained Hydraulic Cutters

▼ Shown left to right: **WMC2000, WMC750**



## WMC Series

Capacity:

**3 - 20 tons**

Maximum Material Diameter:

**0.38 - 3.38 inches**



### Replacement Blades

To order 60-62HRC hardened replacement blades use one of the model numbers shown below.

For Cutter Model Number	Order Blade Model Number
WMC580	WCB750
WMC750	WCB750
WMC1000	WCB1000
WMC1250	WCB1250
WMC1580	WCB1580
WMC2000	WCB2000
WMC 3380	WCB3380

- Rotating heads for operator convenience
- Guillotine action (except WMC1000) for efficient operation
- Carrying bag included for easy carrying and tool protection
- Velcro® straps to secure handles on larger models for easy transportation
- Spring-return on all models
- Lightweight, self-contained tool, can be used anywhere



### Caution!

A "☆" in the charts on these pages means that this hydraulic cutter is not designed to cut this size or type of material. Any attempt to do so may result in personal injury and damage to the unit and will void the warranty.

### ▼ Selection Chart Maximum Cutting Capacities (diameter in inches)

Model Number	Capacity (ton)	Steel Wire Rope, Hemp-core or IWRC 6x7 6x12 6x19	Round Bar				Wire Strand					Cable		Length (in)	Weight (lbs)
			Copper Wire or Bar	Aluminum Wire or Bar	Soft Steel Bolts	Reinforcing Bar	Bare Copper Wire Strands	Bare Aluminum Wire Strands	ACSR Wire Strands	Guy Steel Wire Strands	Guy Steel Wire Strands	Telephone Cable CPP	Underground Cable (Power)		
WMC580	4	0.63	0.63	0.63	0.63	0.38	0.63	0.63	0.63	0.56	0.56	☆	☆	15.00	8
WMC750	4	0.75	0.75	0.75	0.69	0.50***	0.75	0.75	0.75	0.56	0.56	☆	☆	15.00	8
WMC1000*	20	☆	0.75	0.75	0.75	0.75	☆	☆	☆	☆	☆	☆	☆	26.75	25
WMC1250	20	1.25	1.25	1.25	1.25	0.88	1.25	1.25	1.25	0.88	0.88	☆	☆	26.75	23
WMC1580	6	0.75	0.75	0.75	0.75	☆	1.50	1.50	1.50	0.63	0.63	☆	☆	22.00	15
WMC2000	13	1.00	1.25	1.25	0.88	☆	2.00	2.00	2.00	0.75	0.75	☆	☆	24.75	24
WMC3380	3	☆	☆	☆	☆	☆	3.00	3.00	☆	☆	☆	3.38	3.38	26.00	22

\* Cuts .50" alloy chain grade 70 (type G7 transport or tie-down) or grade 80 (for overhead lifting applications)

☆ Will not cut designated material

\*\*\* Low Alloy

EBH-Series Bar Cutters and EWCH-Series Wire and Cable Cutters are powered by an external pump with an electric valve. A twin hydraulic hose and electric cable connect the tools to the pump, allowing the user to operate them directly from a control panel located on the cutters.

▼ Pumps used with EBH Bar Cutters and EWCH Wire & Cable Cutters



### ZE4-Series Pump

Specialized **ZE4-Series** pumps provide a balance of speed and versatility, and are available in 115 and 230 volts. Recommended for use with **EBH30** and **EBH35** cutters when portability, or the convenience of using standard voltage is required.



### ZE6-Series Pump

Specialized **ZE6-Series** three-phase pumps offer a high-flow rate that provides fast performance for demanding applications. Recommended for all **EWCH** and **EBH** bar cutting applications where speed is critical, or where higher flow rates are required by the application.

## ZE Series



Reservoir Capacity:

**1.2 - 2.6 gallon**

Motor Size:

**1.5 - 7.5 hp**

Maximum Operating Pressure:

**10,000 psi**



### Gauges

Optional gauges and accessories may be used to monitor pressure in the hydraulic circuit. Enerpac recommends **Gauge Kit GKHC** for use with Enerpac hydraulic cutters.



### Hoses

EBH- and EWCH-Series Cutters require a twin hose with an electric cable. The hose comes equipped with the appropriate couplers.

Required hoses sold separately.

Description	Model No.
20 ft. long, twin hose with sheath and electric cable	<b>CH720EC</b>

**Voltage: (Model No. ending with suffix)**

**B** = 115V, 50-60 Hz (with NEMA 5-15 plug)

**E** = 208-240V, 50-60 Hz (with commonly used European (SCHUKO) plug)

**I** = 208-240V, 50-60 Hz (with NEMA 6-15 plug)

Pump Series	Pump Model Number <sup>1) 2)</sup>	Motor Electrical Specification	Motor Size (hp)	Reservoir Capacity (gal)	Height (in)	Length (in)	Width (in)	Wt. (lbs)	Recommended Cutter Model Number (sold separately)
ZE4	<b>ZE4404XB</b>	115 V-1 ph 50-60 Hz	1.5	1.2	20.2	20.5	11.0	100	EBH30 EBH35
	<b>ZE4404XE</b>	208-240V-1 ph 50-60 Hz							
	<b>ZE4404XI</b>	208-240V-1 ph 50-60 Hz							
ZE6	<b>ZE6410XG-S</b>	208-240 V-3 ph	7.5	2.6	15.1	22	15.1	170	All EWCH- and EBH-Series Cutters
	<b>ZE6410XJ-S</b>	460-480 V-3 ph							
	<b>ZE6410XK-S</b>	440 V-3 ph							
	<b>ZE6410XW-S</b>	380-415 V-3 ph							

<sup>1)</sup> Indicated pumps come equipped with appropriate configurations to work with indicated cutters.

<sup>2)</sup> ZE6 pumps are available with roll cages. To add a roll cage, add an "R" prior to the "S" in the nomenclature, e.g. ZE6410XG-RS.

# Pumps and Accessories for EDCH Cutters

EDCH-Series Decommissioning Cutters are designed to work in a wide variety of environments, from factories to demolition projects. Enerpac offers multiple pump options to provide power, speed and mobility for all your applications.

## ▼ Pumps used with EDCH Decommissioning Cutters



### ZC3-Series Pumps

Specialized ZC3-Series Cordless Pumps offer the portability of a cordless tool without the added weight of an integrated motor, combining freedom of movement with ease of use. Recommended for use with **EDCH130** cutters.



### ZE4-Series Pumps

Specialized ZE4-Series Pumps provide a balance of speed and versatility. Recommended for use with all **EDCH** Cutters when the convenience of using standard voltage is required.



### ZE6-Series Pump

Specialized ZE6-Series pumps offer a high-flow rate that provides fast performance. Recommended for use with all **EDCH** Cutters when 3-phase power is available, and speed is critical.

#### Voltage: (Model No. ending with suffix)

**B** = 115V, 50-60 Hz (with NEMA 5-15 plug)

**E** = 208-240V, 50-60 Hz (with commonly used European (SCHUKO) plug)

**I** = 208-240V, 50-60 Hz (with NEMA 6-15 plug)

Pump Series	Pump Model Number <sup>1) 2)</sup>	Motor Electrical Specification	Motor Size (hp)	Reservoir Capacity (gal)	Height (in)	Length (in)	Width (in)	Wt. (lbs)	Recommended Cutter Model Number (sold separately)
ZC3	ZC3204XB	Cordless (115 V Charger)	1.4	1.2	25.7	18.6	14.3	60	EDCH130
	ZC3204XE	Cordless (230 V Charger)							
ZE4	ZE4204XB	115 V-1 ph 50-60 Hz	1.5	1.2	20.2	20.5	11.0	100	EDCH130 EDCH145 EDCH170
	ZE4204XE	208-240V-1 ph 50-60 Hz							
	ZE4204XI	208-240V-1 ph 50-60 Hz							
ZE6	ZE6210XG-S	208-240 V-3 ph	7.5	2.6	15.1	22	15.1	170	
	ZE6210XJ-S	460-480 V-3 ph							
	ZE6210XK-S	440 V-3 ph							
	ZE6210XW-S	380-415 V-3 ph							

<sup>1)</sup> Indicated pumps come equipped with appropriate configurations to work with indicated cutters.

<sup>2)</sup> ZE6 pumps are available with roll cages. To add a roll cage, add an "R" prior to the "S" in the nomenclature, e.g. ZE6210XG-RS.

**ZE,  
ZC  
Series**



Reservoir Capacity:

**1.2 - 2.6 gallon**

Motor Size:

**1.4 - 7.5 hp**

Maximum Operating Pressure:

**10,000 psi**



#### Gauges

Optional gauges and accessories may be used to monitor pressure in the hydraulic circuit. Enerpac

recommends **Gauge Kit GKHC** for use with Enerpac hydraulic cutters.



#### Hoses

EDCH-Series Cutters require a twin hose for operation. The hose comes equipped with the appropriate couplers.

Required hoses sold separately.

Description	Model No.
20 ft. long, twin hose only	<b>CH720MC</b>