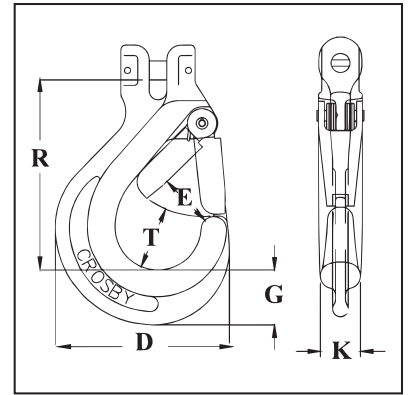


Grade 80 Latch Hooks



S-314A
Clevis
Chain Hook

- Hook is Forged Alloy Steel - Quenched and Tempered.
- Individually Proof Tested at 2-1/2 times the Working Load Limit with certification.
- Integrated heavy duty latch.
- Large throat opening.
- Anti-fouling due to carefully designed contours.
- Meets ASTM A-952 for Grade 80 chain fittings.
- Fatigue rated.
- "Look for the color Gold – Crosby Alloy Hooks."



Fatigue Rated

S-314A Clevis Chain Hook with Integrated Latch

Chain Size		S-314A Stock No.	Grade 8 Alloy Chain Working Load Limit (lbs.) 4:1*	Weight Each (lbs.)	Dimensions (in.)						Replacement Latch Stock No.
(in.)	(mm)				D	E	G	K	R	T	
-	6	1225020	2500	.69	2.60	.81	.79	.63	2.84	1.02	1291332
1/4 - 5/16	7 - 8	1225021	4500	1.53	3.50	1.08	1.10	.81	3.83	1.28	1291402
3/8	10	1225091	7100	2.84	4.35	1.42	1.16	.94	4.92	1.66	1291472
1/2	13	1225161	12000	5.17	5.45	1.52	1.67	1.16	5.64	1.94	1291542
5/8	16	1225162	18100	9.00	6.56	1.91	2.05	1.50	6.79	2.32	1291612

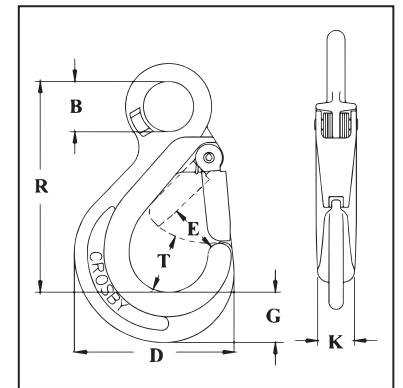
* Ultimate Load is 4 times the Working Load Limit.

Chain & Accessories



S-315A
Eye Chain Hook

- Hook is Forged Alloy Steel - Quenched and Tempered.
- Individually Proof Tested at 2-1/2 times the Working Load Limit with certification.
- Crosby recommends grinding the WLL (which is 5:1 Design Factor) off the hook when using with Grade 80 chain.
- Integrated heavy duty latch.
- Large throat opening.
- Anti-fouling due to carefully designed contours.
- "Engineered Flat" for use with S-1325A Coupler Link.
- Meets ASTM A-952 for Grade 80 chain fittings.
- Fatigue rated.
- "Look for the color Gold – Crosby Alloy Hooks."



Fatigue Rated

S-315A Eye Chain Hook with Integrated Latch

Chain Size		S-315A Stock No.	Grade 80 Alloy Chain Working Load Limit (lbs.) 4:1*	Working Load Limit for Wire Rope (Tons) 5:1	Weight Each (lbs.)	Dimensions (in.)						Replacement Latch Stock No.	
(in.)	(mm)					B	D	E	G	K	R		T
-	6	1029820	2500	1	.56	.79	2.60	.81	.79	.63	3.33	1.02	1291332
1/4 - 5/16	7 - 8	1029825	4500	2	1.31	1.10	3.50	1.08	1.10	.81	4.62	1.28	1291402
3/8	10	1029830	7100	3	2.60	1.42	4.35	1.42	1.16	.94	6.20	1.66	1291472
1/2	13	1029835	12000	5	4.70	1.81	5.45	1.52	1.67	1.16	7.33	1.94	1291542
5/8	16	1029840	18100	7	8.55	2.20	6.56	1.91	2.05	1.50	8.94	2.32	1291612

* Ultimate Load is 4 times the Working Load Limit.