

**Climax Metal Products Company**

8141 Tyler Boulevard
Mentor, Ohio 44060
USA

Toll free: 800-542-6552

Phone: 440-585-0300

Fax: 800-860-5553

Email: sales@climaxmetal.com

Website: www.climaxmetal.com

ITEM # GSC-056-SS, SET SCREW COLLAR GSC-SERIES

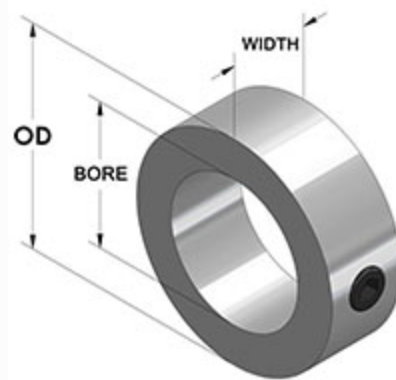
Stainless Steel Set Screw Collar. Traditional cost effective collar design.



[Drawing](#) | [Specifications](#) | [Regulation & Compliance](#)

Drawing

Dimensional Drawing



Set Screw Collar

Specifications

Need Help?

Bore	9/16 in
OD	1 in
Width	7/16 in
Style	Set Screw
Material	Stainless Steel, ASTM A582
Finish	Plain
Set Screw	Hex Socket Set Screw, 3A Thread, Stainless Steel, ASTM F880: 1/4-20 x 1/4
Approximate Weight	1.00 oz
UPC Code	044861634844

Regulation & Compliance

[REACH Compliance Statement](#)

[RoHS 3 Compliance Statement](#)

[Disclosure of Conflict Minerals and Materials](#)

[California Proposition 65 Warning](#)

[Toxic Substances Control Act TSCA](#)

[DFARS Compliance Statement](#)

[Safety Data Sheet](#)

[ISO Certificate](#)