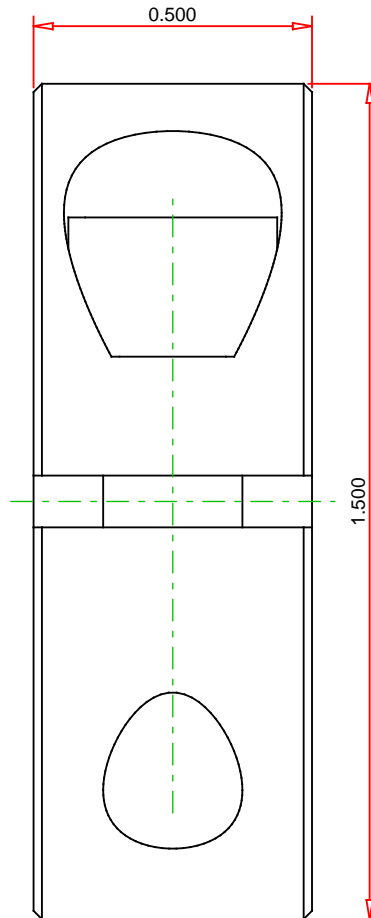
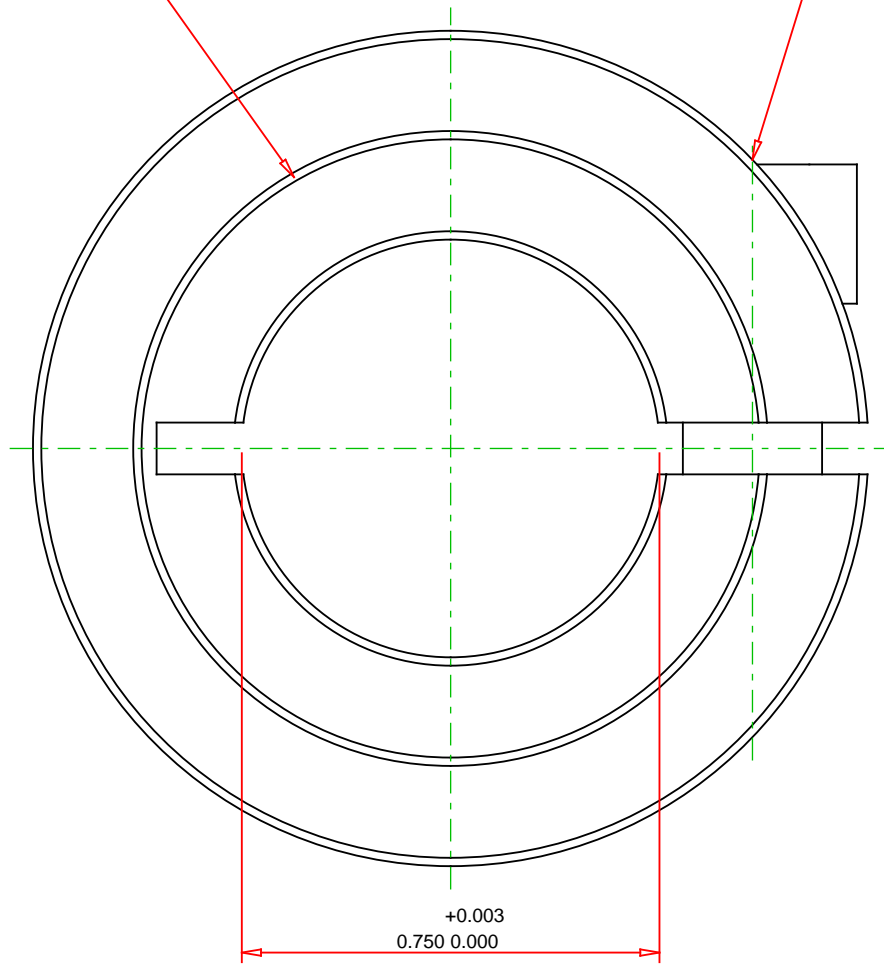


Identification Groove

1/4-28



Screw : Hex Socket Cap Screw, 3A Thread, Steel, ASTM A574: 1/4-28 x 5/8

Note :  
- Drawing not to Scale

Part No. :  
G1SC-075-B

Material :  
Steel, ASTM A108

Finish :  
Black Oxide

Description :  
One-Piece Clamping Collar G1SC-Series

CLIMAXMETAL

Address : 8141 Tyler Boulevard  
Mentor, OH 44060

Phone : 800.542.6552 Fax: 800.860.5553

Email : sales@climaxmetal.com

Web : www.climaxmetal.com