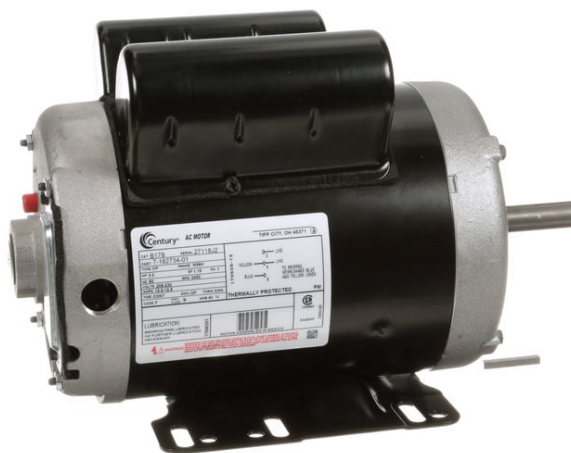


# PRODUCT INFORMATION PACKET



Model No: B178  
Catalog No: B178

General Purpose Motor, 3.0 HP, 1 Ph, 60 Hz, 208-230 V, 3600 RPM, M56H Frame, DP



Regal and Century are trademarks of Regal Rexnord Corporation or one of its affiliated companies.

©2023 Regal Rexnord Corporation, All Rights Reserved. MC017097E





**Nameplate Specifications**

Phase	1	Output HP	3.0 Hp
Output KW	2.2 kW	Voltage	208-230 V
Speed	3450 rpm	Service Factor	1.15
Frame	M56H	Enclosure	Drip Proof
Thermal Protection	Thermally Protected	Ambient Temperature	40 °C
Frequency	60 Hz	Current	13.5-12.5 A
Duty	Continuous	Insulation Class	B
UL	Recognized	CSA	Y
CE	N	Number of Speeds	1

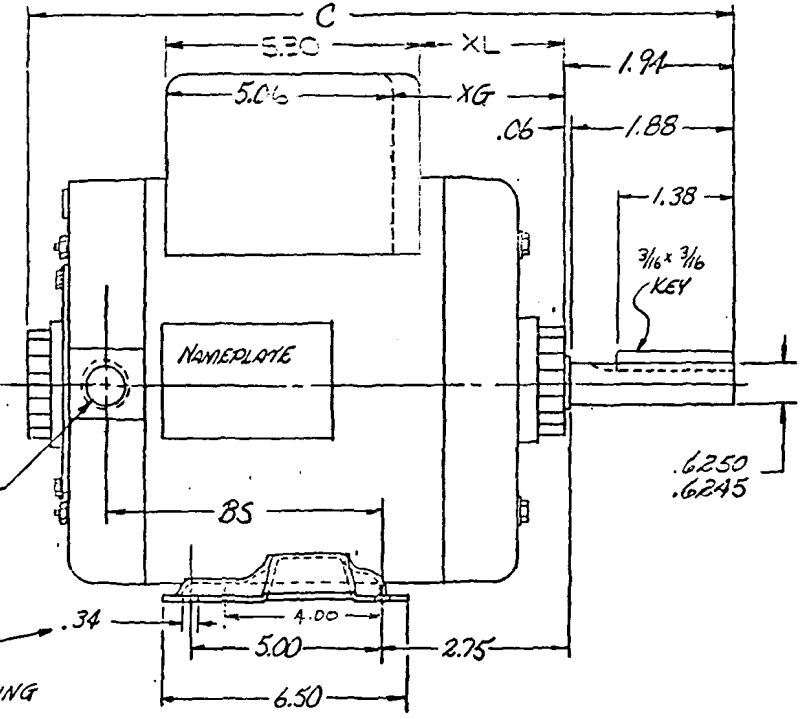
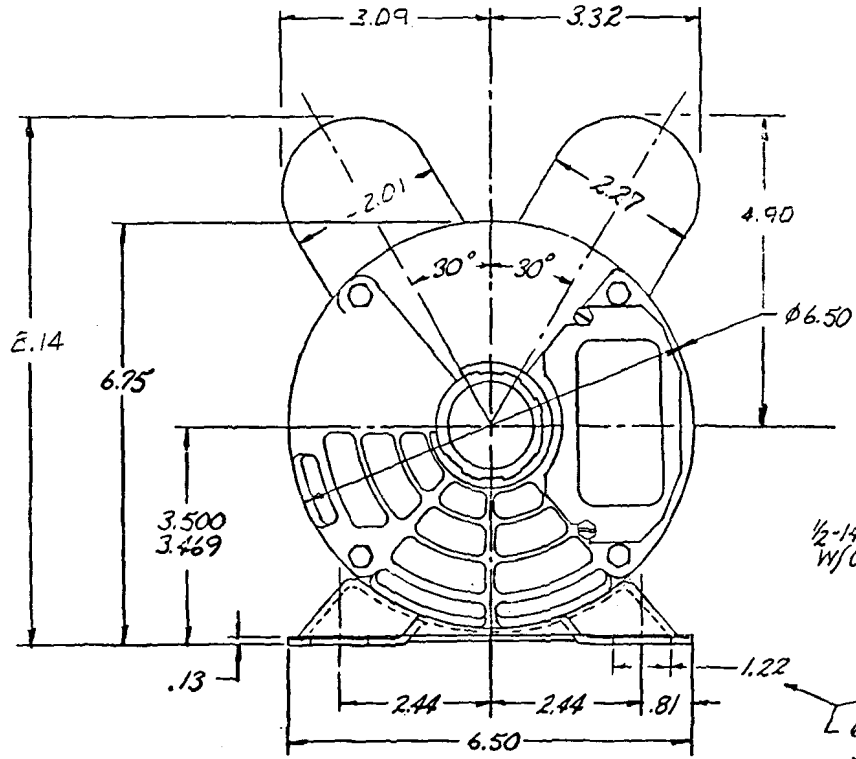
**Technical Specifications**

Electrical Type	Capacitor Start, Capacitor Run, Single Or Dual Voltage	Starting Method	Across The Line
Poles	2	Rotation	Reversible Counterclockwise
Mounting	Rigid Base	Drive End Bearing	Ball
Opp Drive End Bearing	Ball	Frame Material	Rolled Steel
Shaft Type	Keyed	Overall Length	12.69 in
Frame Length	6.75 in	Shaft Diameter	0.625 in
Shaft Extension	1.94 in		
Connection Drawing	17050512.PCX	Outline Drawing	17044902

This is an uncontrolled document once printed or downloaded and is subject to change without notice. Date Created:09/27/2023

DO NOT SCALE DRAWING

DJS	GP NO	TYPE	FRAME SIZE	FORM	C	BS	XG	XL			
1	01	CP	N56H	KHH	13.19	7.12	3.96	3.72			
1	02	CP	N56H	KHH	12.69	6.62	3.46	3.22			



SM TO 162951 & 154994 SPEC. 58867

REVISIONS	DATE	DESCRIPTION
1	8-16-58	08-00
2	2-15-59	COVER DIM. 69.34 RH 12.1.58
3	5/16/59	ADDED GRP. D. 02 CS 175417
4	5/16/59	0190 IN. CHG LENGTH OF CAP COVER 374 12/5/90

THIRD ANGLE PROJECTION		Century Electric, Inc. 1831 Chestnut Street, St. Louis, Missouri 63168		CENTURY	
TITLE 0056 DWG O-LINE BB OP/ENCL					
DRN. P.M. 2-20-58	CKD. M.L.K. 2-25-58	CONT. CODE	DRG. NO.	SIZE	CLASS NO.
APPD.	SCALE	5	170449	B	1920