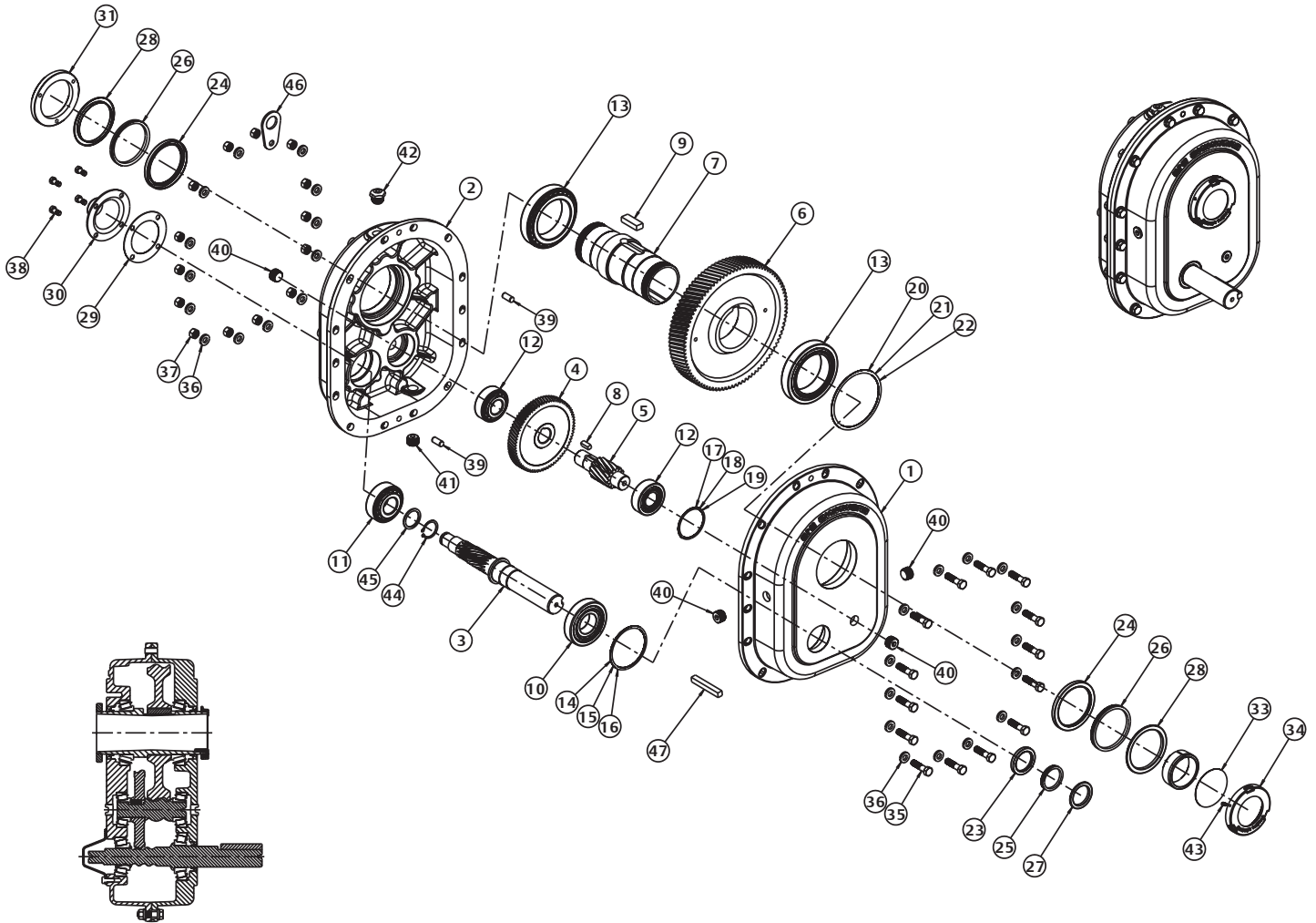


**Browning**

**TorqTaper® Plus**  
**Helical Shaft Mount - Speed Reducers**  
**Parts Lists: 215SMTP**

**Power Transmission Solutions**  
Regal Beloit America, Inc.  
7120 New Buffington Road  
Florence, KY 41042  
Application Engineering: 800 626 2093  
www.RegalPTS.com

**FORM**  
**8884E**  
**Revised**  
**October 2015**



A Regal Brand

**REGAL**

## 215 SMTP PARTS LIST

Index	Part No.	Description	Qty.
1	HF0001	215 SMTP HSG FRONT	1
2	HF0003	215 SMTP HSG BACK	1
3		SEE TABLE FOR RATIO CHANGE	
4		SEE TABLE FOR RATIO CHANGE	
5	* HF0199	215 SMTP LS PINION	1
6	HF0299	215 SMTP LS GEAR	1
7	HF0300	215 SMTP QUILL	1
8	* FH1064	KEY 3/8 SQ x 1 HD	1
9	FH1059	KEY 3/4 x 1/2 x 2.15 HD	1
10	FF2232	BRG TAPER 30310A	1
11	FF2328	BRG TAPER 32308A	1
12	* FF2327	BRG TAPER 32307A	2
13	FF2280	BRG TAPER 32020X	2
14	FI2051	4.316 x 3.889 x .003 SHIM	1
15	FI2052	4.316 x 3.889 x .007 SHIM	1
16	FI2053	4.316 x 3.889 x .010 SHIM	1
17	* FI2026	3.127 x 2.818 x .003 SHIM	1
18	* FI2027	3.127 x 2.818 x .007 SHIM	1
19	* FI2028	3.127 x 2.818 x .010 SHIM	1
20	FI2081	5.883 x 5.299 x .003 SHIM	1
21	FI2082	5.883 x 5.299 x .007 SHIM	1
22	FI2083	5.883 x 5.299 x .010 SHIM	1
23	FG0338	1.938 x 2.625 x .313 OIL SEAL	1
24	FG0339	3.875 x 4.750 x .375 OIL SEAL	2
25	FG1090	V-RING SEAL 400500	1
26	FG1093	V-RING SEAL 401000	2
27	HF0030	215 SMTP SHIELD HS SEAL	1
28	HF0031	215 SMTP SHIELD LS SEAL	2
29	HF0021	SMTP GASKET HS CVR	1
30	HF0020	215 SMTP CVR INPUT	1
31	HF0310	215 SMTP BUSH RING	1
32	HF0342	215 SMTP STAB RING	1
33	HF0322	215 SMTP DIRT COVER	1
34	HF0320	215 SMTP END CAP	1
35	FJ4670	1/2-13x2 HXHD CS	14
36	FJ9724	WSH 1/2x1x.188	27
37	FJ9114	1/2-13 HEX NUT	14
38	FJ4564	3/8-16x7/8 HXHD CS	4
39	FI1586	1/2 x 1 1/8 DOWEL PIN	2
40	FK0510	3/4 SOC HD SOLID PP	4
41	FK0357	3/4 NPT MAG PIPE PLUG	1
42	FK3027	SMTP 3/4 NPT BREATHER	1
43	FJ1472	SET SCREW 1/4-20x3/8 BT	1
44		SEE TABLE FOR RATIO CHANGE	
45		SEE TABLE FOR RATIO CHANGE	
46	HR0001	LL-203	1
47	FH0382	1/2 x 1/2 x 3.75 KEY	1

Model No.	Description
PF0003	215SMTP05

Index	Part Number	Description	Qty.
3	HF0105	215 SMTP5 HS PINION	1
4	-	-	-
44	-	-	-
45	-	-	-

\* Index numbers 4, 5, 8, 12, 17, 18 and 19 not used in 5:1 ratio.

Model No.	Description
PF0004	215SMTP09

Index	Part Number	Description	Qty.
3	HF0109	215 SMTP9 HS PINION	1
4	HF0209	215 SMTP9 HS GEAR	1
44	-	-	-
45	-	-	-

Model No.	Description
PF0005	215SMTP15

Index	Part Number	Description	Qty.
3	HF0115	215 SMTP15 HS PINION	1
4	HF0215	215 SMTP15 HS GEAR	1
44	-	-	-
45	-	-	-

Model No.	Description
PF0006	215SMTP25

Index	Part Number	Description	Qty.
3	HF0125	215 SMTP25 HS PINION	1
4	HF0225	215 SMTP25 HS GEAR	1
44	-	-	-
45	-	-	-

Model No.	Description
PF0007	215SMTP35

Index	Part Number	Description	Qty.
3	HF0135	215 SMTP35 HS PINION	1
4	HF0235	215 SMTP35 HS GEAR	1
44	FI1277	TRUARC 5100-156 SNAP	1
45	FI1425	TRUARC 5900-157 WASHER	1

	<b>WARNING</b> High voltage and rotating parts may cause serious or fatal injury. Turn off power to install or service. Operate with guards in place. Read and follow all instructions.	
--	---	--

**WARNING** Disconnect all power before adjusting units.

A Regal Brand



www.regalbeloit.com