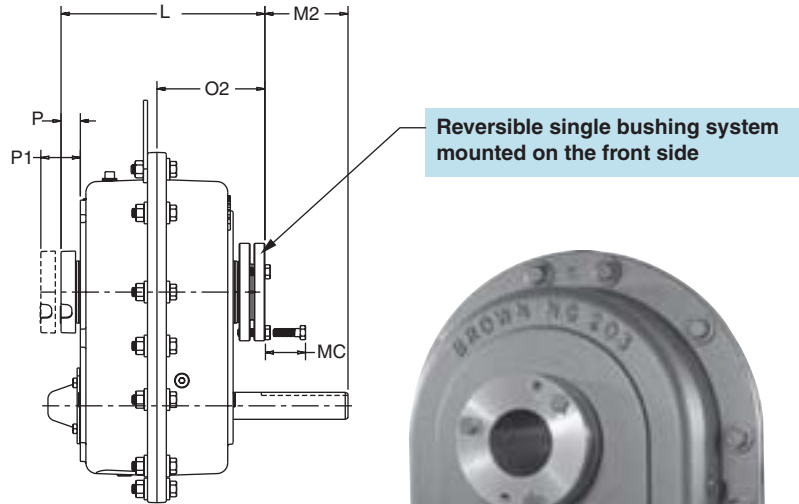
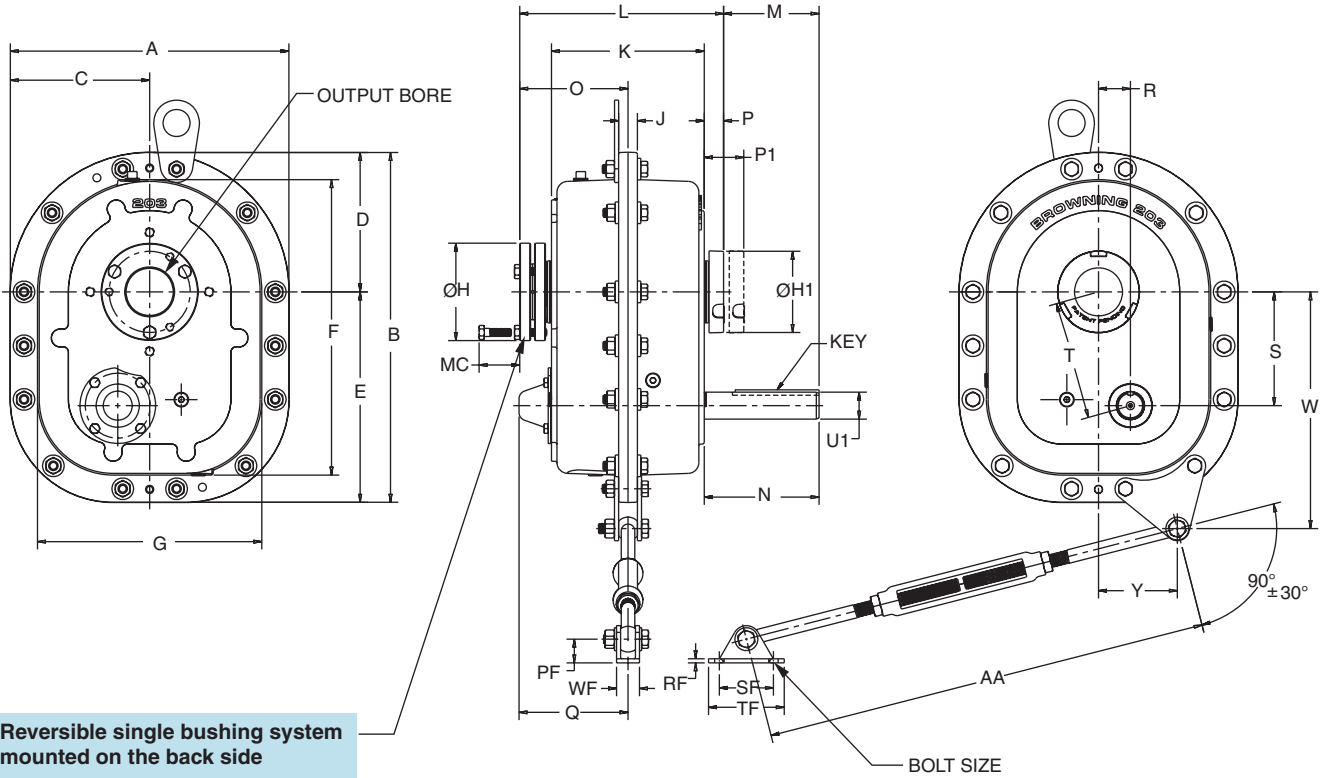
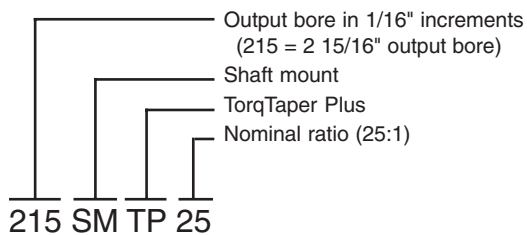


### Type SMTP TorqTaper Plus Unit Sizes 107-315



#### Part Number Explanation



## Type SMTP TorqTaper Plus Unit Sizes 107-315

Table No. 3

PART NO. ★	DIMENSIONS IN INCHES									
	A	B	C	D	E	F	G	H	H1	J
107SMTP	9.76	12.07	4.88	4.88	7.19	10.07	7.75	3.25	3.00	0.63
115SMTP	11.00	14.08	5.50	5.50	8.58	11.78	8.69	4.13	3.50	0.75
203SMTP	12.88	16.16	6.44	6.44	9.72	13.66	10.38	4.50	3.75	0.87
207SMTP	14.50	18.47	7.25	7.25	11.22	15.73	11.76	4.88	4.25	1.01
215SMTP	16.25	20.88	8.13	8.13	12.76	18.07	13.44	5.31	4.75	1.07
307SMTP	19.04	24.37	9.52	9.52	14.85	21.00	15.67	6.44	5.69	1.25
315SMTP	19.90	26.35	9.95	9.95	16.40	23.02	16.57	7.13	6.70	1.25

PART NO. ★	DIMENSIONS IN INCHES									
	K	L	M	M2	MC	N	O	O2	P	P1
107SMTP	5.52	7.89	3.18	2.61	1.75	4.08	4.25	4.21	0.90	1.84
115SMTP	5.99	8.36	3.34	2.77	1.88	4.24	4.48	4.45	0.90	1.83
203SMTP	7.07	9.43	4.42	3.84	1.88	5.31	5.01	4.99	0.89	1.83
207SMTP	7.39	9.75	4.23	3.65	1.88	5.12	5.14	5.19	0.89	1.86
215SMTP	8.24	10.85	4.85	4.28	1.88	5.87	5.69	5.74	1.02	1.96
307SMTP	9.27	12.57	6.09	5.47	2.25	7.45	6.58	6.61	1.36	2.75
315SMTP	10.51	14.50	6.59	5.96	2.75	8.32	7.51	7.61	1.73	3.25

PART NO. ★	DIMENSIONS IN INCHES									
	PF	Q	R	RF	S	SF	T	TF	U1	W
107SMTP	1.09	4.24	1.18	0.19	3.77	2.50	3.95	3.50	0.75	7.88
115SMTP	1.09	4.51	1.35	0.19	4.36	2.50	4.56	3.50	1.12	9.14
203SMTP	1.09	5.04	1.48	0.19	5.26	2.50	5.46	3.50	1.25	10.94
207SMTP	1.25	5.57	1.63	0.19	6.08	3.00	6.29	4.25	1.44	12.68
215SMTP	1.25	6.24	2.12	0.19	7.01	3.00	7.32	4.25	1.87	14.19
307SMTP	1.56	6.79	2.25	0.25	7.78	4.00	8.10	5.50	2.00	17.00
315SMTP	2.00	8.05	2.63	0.25	8.53	4.75	8.93	6.25	2.13	18.12

PART NO. ★	DIMENSIONS IN INCHES						MAX. OUTPUT BORE	WT. LBS.
	WF	Y	AA		BOLT SIZE	KEY		
			MIN.	MAX.				
107SMTP	1.06	2.73	24.00	30.00	3/8	.188 x .188 x 2.88	1 7/16	53
115SMTP	1.06	3.12	24.00	30.00	3/8	.250 x .250 x 2.75	1 15/16	75
203SMTP	1.06	3.64	24.00	30.00	3/8	.250 x .250 x 3.88	2 3/16	112
207SMTP	1.19	4.16	27.00	33.00	7/16	.375 x .375 x 3.75	2 7/16	155
215SMTP	1.19	4.65	27.00	33.00	7/16	.500 x .500 x 3.75	2 15/16	226
307SMTP	1.44	5.58	29.00	35.00	1/2	.500 x .500 x 6.50	3 7/16	367
315SMTP	2.69	6.20	29.50	35.50	5/8	.500 x .500 x 7.50	3 15/16	480

★ Complete part number by adding ratio symbol, for example, "107SMTP05".  
 NOTE — "05" is symbol for 5:1 nominal ratio; see page 13 for exact ratios and ratio symbols.  
 Dimension "MC" is minimum clearance for bushing removal.  
 Order bushings from pages 70 thru 72 for shaft size required.

SMTP/SMFP