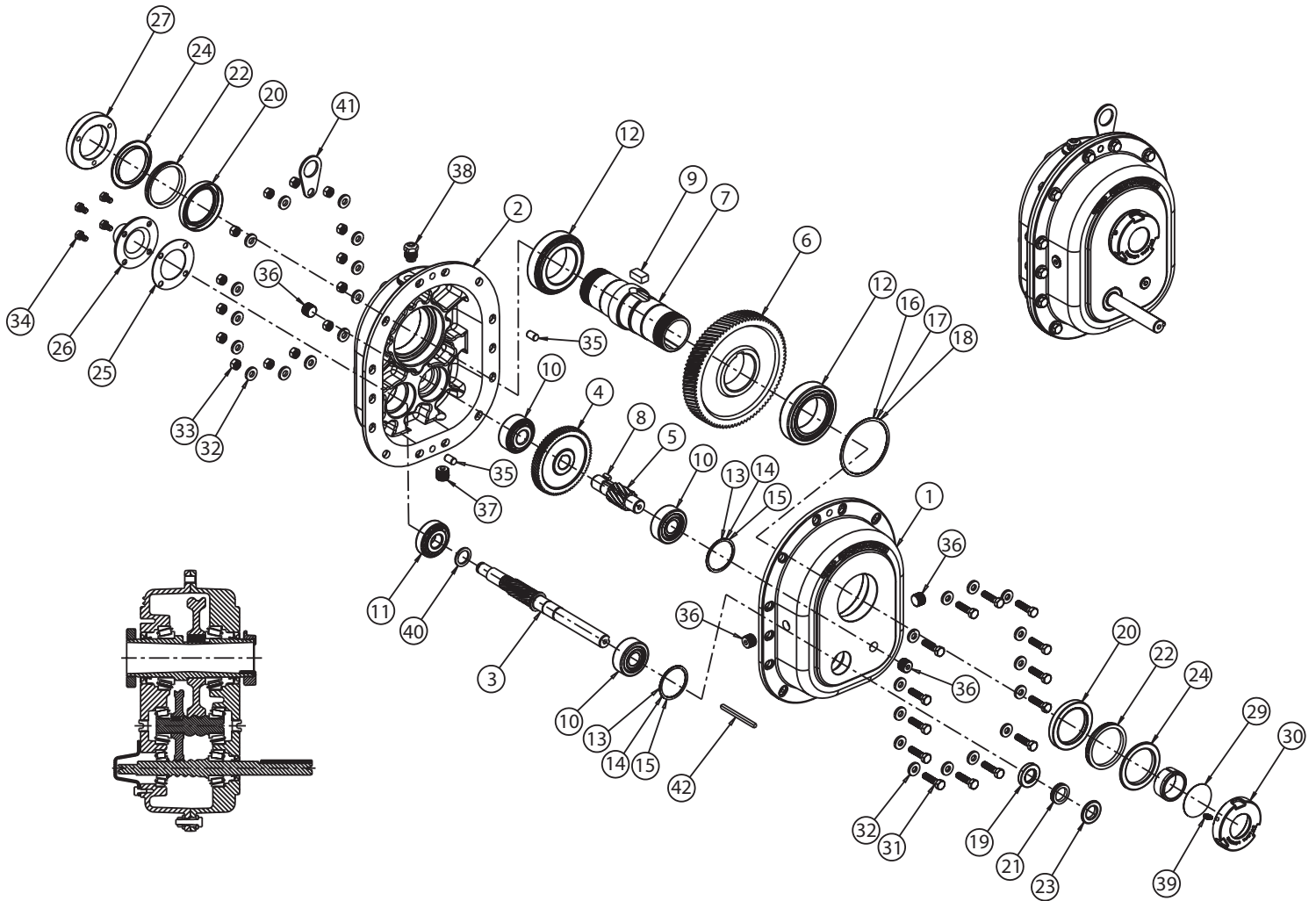


Browning

TorqTaper® Plus
Helical Shaft Mount - Speed Reducers
Parts Lists: 107SMTF

Power Transmission Solutions
Regal Beloit America, Inc.
7120 New Buffington Road
Florence, KY 41042
Application Engineering: 800 626 2093
www.RegalPTS.com

FORM
8880E
Revised
October 2015



A Regal Brand

REGAL

107 SMTP PARTS LIST

Index	Part No.	Description	Qty.
1	HB0001	107 SMTP HSG FRONT	1
2	HB0003	107 SMTP HSG BACK	1
3		SEE TABLE FOR RATIO CHANGE	
4		SEE TABLE FOR RATIO CHANGE	
5	* HB0199	107 SMTP LS PINION	1
6	HB0299	107 SMTP LS GEAR	1
7	HB0300	107 SMTP QUILL	1
8	* FH0362	3/16 x 3/16 x .47 KEY	1
9	FH1056	1/2W x 3/8H x .98L KEY	1
10	* FF2324	BRG TAPER 32304A	3
11	FF2226	BRG TAPER 30304A	1
12	FF2271	BRG TAPER 32011XA	2
13	* FI1996	2.024 x 1.755 x .003 SHIM	2
14	* FI1997	2.024 x 1.755 x .007 SHIM	2
15	* FI1998	2.024 x 1.755 x .010 SHIM	2
16	FI2036	3.520 x 3.212 x .003 SHIM	1
17	FI2037	3.520 x 3.212 x .007 SHIM	1
18	FI2038	3.520 x 3.212 x .010 SHIM	1
19	FG0336	.781 x 1.375 x .250 OIL SEAL	1
20	FG0342	2.125 x 2.875 x .375 OIL SEAL	2
21	FG1086	V-RING SEAL 400220	1
22	3215993	V-RING SEAL 400550	2
23	HB0030	107 SMTP SHIELD HS SEAL	1
24	HB0031	107 SMTP SHIELD LS SEAL	2
25	HB0021	SMTP GASKET HS CVR	1
26	HB0020	107 SMTP CVR INPUT	1
27	HB0310	107 SMTP BUSH RING	1
29	HB0322	107 DIRT COVER	1
30	HB0320	107 SMTP END CAP	1
31	FJ4517	5/16-18x1 1/4HXHD CS	14
32	FJ9721	WSH 5/16x3/4x.125	27
33	FJ8802	5/16-18 HEX NUT	14
34	FJ4458	1/4-20x1/2 HXHD CS	4
35	FI1519	3/8 x 5/8 DOWEL PIN	2
36	FK0506	3/8 SOC HD SOLID PP	4
37	4061883	A4061883 3/8 MAG PLG	1
38	FK3025	3/8 NPT BREATHER AV53	1
39	FJ1472	SET SCREW 1/4-20x3/8 BT	1
40		SEE TABLE FOR RATIO CHANGE	
41	2026789	LL-107 LIFTING LUG	1
42	FH0857	3/16x3/16x2.875 KEY	1

Model No.	Description		
PB0001	107SMTP05		
Index	EPT Part No.	Description	Qty.
3	HB0105	107 SMTP5 HS PINION	1
4	-	-	-
40	-	-	-

* Index numbers 4, 5, 8, 10, 13, 14 & 15 not used in 5:1 ratio.

Model No.	Description		
PB0002	107SMTP09		
Index	EPT Part No.	Description	Qty.
3	HB0109	107 SMTP9 HS PINION	1
4	HB0209	107 SMTP9 HS GEAR	1
40	-	-	-

Model No.	Description		
PB0003	107SMTP15		
Index	EPT Part No.	Description	Qty.
3	HB0115	107 SMTP15 HS PINION	1
4	HB0215	107 SMTP15 HS GEAR	1
40	-	-	-

Model No.	Description		
PB0004	107SMTP25		
Index	EPT Part No.	Description	Qty.
3	HB0125	107 SMTP25 HS PINION	1
4	HB0225	107 SMTP25 HS GEAR	1
40	-	-	-

Model No.	Description		
PB0005	107SMTP35		
Index	EPT Part No.	Description	Qty.
3	HB0135	107 SMTP35 HS PINION	1
4	HB0235	107 SMTP35 HS GEAR	
40	FI1409	TRUARC 5900-78	1

	<p>⚠ WARNING</p> <p>High voltage and rotating parts may cause serious or fatal injury.</p> <p>Turn off power to install or service.</p> <p>Operate with guards in place.</p> <p>Read and follow all instructions.</p>	
--	------------------------------------------------------------------------------------------------------------------------------------------------------------------------------------------------------------------------------	--

⚠ WARNING Disconnect all power before adjusting units.

A Regal Brand



www.regalbeloit.com