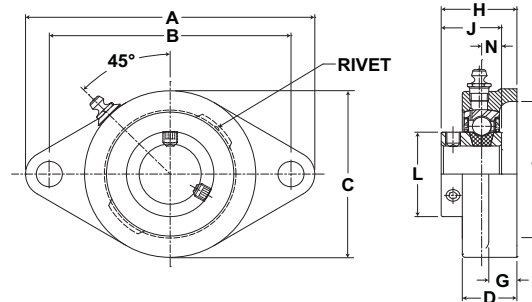


# Browning<sup>®</sup> Mounted Ball Bearings



**Duty:** Intermediate  
**Rolling Elements:** Ball  
**Housing:** Cast Iron Two Bolt Flange  
**Self Alignment:** +/- 1.5 Degrees  
**Lock:** Setscrew  
**Seal:** Contact  
**Temperature:** -20° to 200°F



## VF2S 100 Series Intermediate Duty Two Bolt Flanges - Setscrew Locking

Bore Diameter inch	Part No.	Bearing Insert No.	Basic Dynamic Rating lb/N	Dimensions inch / mm										Bolt Size	Unit Wt. lb/kg
				A	B	C	D	G	H	J	L	N	T Cored		
1/2	VF2S-108	VS-108	2108	3 7/8	3	2 1/8	23/32	3/8	1 5/64	15/16	31/32	5/16	1 3/4	3/8	.8 .36
5/8	VF2S-110	VS-110	9377	98.4	76.2	54.0	18.3	9.5	27.4	23.8	24.6	7.9	44.5		
3/4	VF2S-112	VS-112	2611 11614	4 13/32	3 17/32	2 1/2	57/64	7/16	1 9/32	1 1/16	1 3/16	11/32	2	3/8	.9 .41
				111.9	89.7	63.5	22.6	11.1	32.5	27.0	30.2	8.7	50.8		
7/8	VF2S-114	VS-114	2801 12459	4 7/8	3 57/64	2 3/4	61/64	1/2	1 25/64	1 7/64	1 3/8	11/32	2 5/16	7/16	1.0 .45
15/16	VF2S-115	VS-115		4 7/8	98.8	69.9	24.2	12.7	35.3	28.2	34.9	8.7	58.7		
1	VF2S-116	VS-116		123.8	98.8	69.9	24.2	12.7	35.3	28.2	34.9	8.7	58.7		
1 1/8	VF2S-118	VS-118	4381 19487	5 9/16	4 19/32	3 1/8	1 5/64	17/32	1 15/32	1 5/32	1 19/32	3/8	2 3/4	7/16	1.6 .73
1 3/16	VF2S-119	VS-119		141.3	116.7	79.4	27.4	13.5	37.3	29.4	40.5	9.5	69.9		
1 1/4	VF2S-120S	VS-120S		194.3	116.7	79.4	27.4	13.5	37.3	29.4	40.5	9.5	69.9		
1 1/4	VF2S-120	VS-120	5782 25718	6 1/8	5 1/8	3 5/8	1 5/32	19/32	1 39/64	1 9/32	1 55/64	27/64	3 3/16	1/2	2.6 1.18
1 3/8	VF2S-122	VS-122		155.6	130.2	92.1	29.4	15.1	40.9	32.5	47.2	10.7	81.0		
1 7/16	VF2S-123	VS-123		155.6	130.2	92.1	29.4	15.1	40.9	32.5	47.2	10.7	81.0		
1 1/2	VF2S-124	VS-124	7340 32648	6 3/4	5 21/32	4 1/8	1 19/64	5/8	1 49/64	1 27/64	2 1/16	31/64	3 1/2	1/2	3.4 1.54
			171.5	143.7	104.8	32.9	15.9	44.8	36.1	52.4	12.3	88.9			
1 11/16	VF2S-127	VS-127	7901	7 1/16	5 27/32	4 3/8	1 21/64	5/8	1 13/16	1 7/16	2 19/64	31/64	3 3/4	9/16	3.5 1.59
1 3/4	VF2S-128	VS-128	35144	179.4	148.4	111.1	33.7	15.9	46.0	36.5	58.3	12.3	95.3		
1 15/16	VF2S-131	VS-131	7889	7 7/16	6 3/16	4 9/16	1 23/64	5/8	1 59/64	1 35/64	2 15/32	1/2	4	9/16	4.4 2.00
2	VF2S-132S	VS-132S	35090	188.9	157.2	115.9	34.5	15.9	48.8	39.3	62.7	12.7	101.6		
2	VF2S-132	VS-132	9752	8 1/2	7 1/4	5 1/4	1 33/64	13/16	2 7/64	1 21/32	2 23/32	35/64	4 1/4	5/8	5.7 2.59
2 3/16	VF2S-135	VS-135	43377	215.9	184.2	133.4	38.5	20.6	53.6	42.1	69.1	13.9	108.0		

Metric dimensions for reference only.

Not all parts are available from stock. Please contact customer service for availability (800) 626-2120.

For more information on bearing capabilities outside of our standard offering, please contact Application Engineering (800) 626-2093.