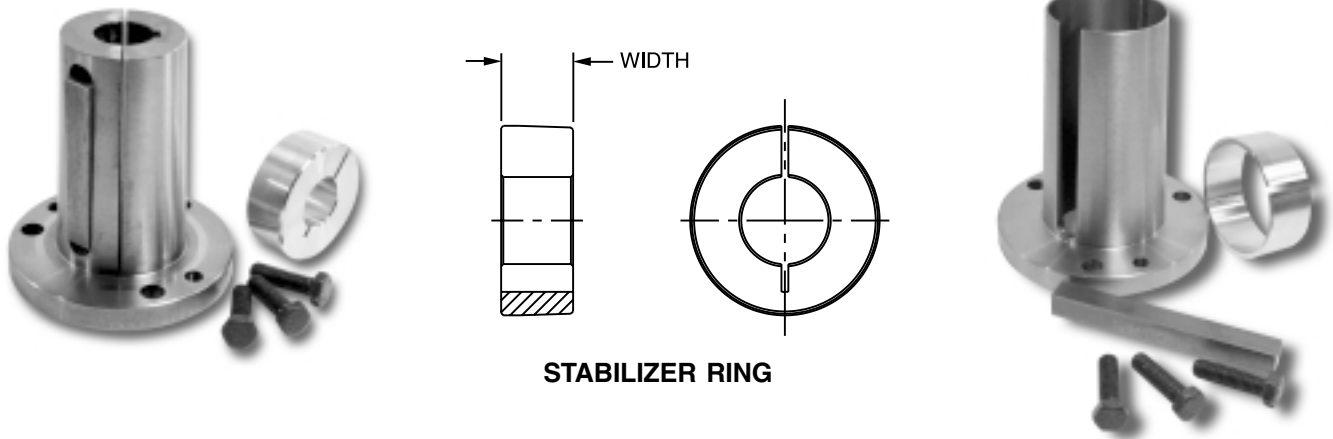


Type SMTP TorqTaper® Plus Bushing Kits



STABILIZER RING

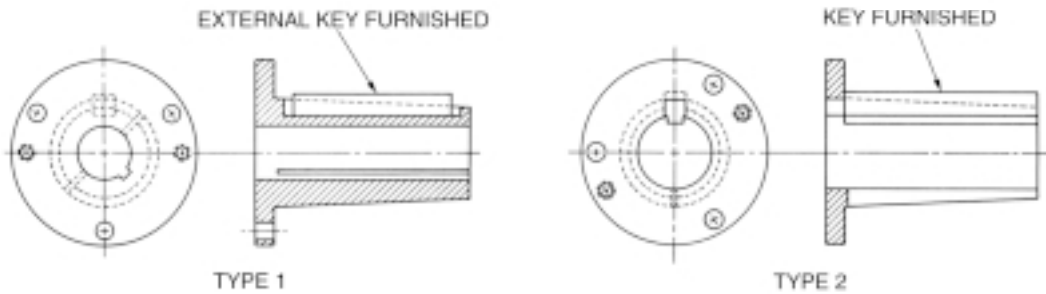


Table No. 12

REDUCER SIZE	BUSHING NO.	BORE SIZE	SHAFT KEYSEAT REQUIRED	TYPE	STABILIZER RING WIDTH	BOLT TORQUE		WEIGHT
						BOLT SIZE	FT.LBS.	
107SMTP	107TBP012	3/4	3/16 x 3/32 x 3 7/8	1	0.793	5/16-18 x 1 1/4	16	2.6
	107TBP014	7/8	3/16 x 3/32 x 3 7/8	1				2.5
	107TBP015	15/16	1/4 x 1/8 x 3 7/8	2				2.4
	107TBP100	1	1/4 x 1/8 x 3 7/8	2				2.3
	107TBP101	1 1/16	1/4 x 1/8 x 3 7/8	2				2.1
	107TBP102	1 1/8	1/4 x 1/8 x 3 7/8	2				2.0
	107TBP103	1 3/16	1/4 x 1/8 x 3 7/8	2				1.9
	107TBP104	1 1/4	1/4 x 1/8 x 3 7/8	2				1.8
	107TBP105	1 5/16	5/16 x 5/32 x 3 7/8	2				1.6
	107TBP106	1 3/8	5/16 x 5/32 x 3 7/8	2				1.5
107TBP107	1 7/16	3/8 x 3/16 x 3 7/8	2	1.5				
115SMTP	115TBP015	15/16	1/4 x 1/8 x 4 1/8	1	0.855	3/8-16 x 1 1/4	29	6.0
	115TBP100	1	1/4 x 1/8 x 4 1/8	1				5.9
	115TBP101	1 1/16	1/4 x 1/8 x 4 1/8	1				5.7
	115TBP102	1 1/8	1/4 x 1/8 x 4 1/8	1				5.6
	115TBP103	1 3/16	1/4 x 1/8 x 4 1/8	1				5.4
	115TBP104	1 1/4	1/4 x 1/8 x 4 1/8	1				5.3
	115TBP105	1 5/16	5/16 x 5/32 x 4 1/8	2				5.1
	115TBP106	1 3/8	5/16 x 5/32 x 4 1/8	2				4.8
	115TBP107	1 7/16	3/8 x 3/16 x 4 1/8	2				4.7
	115TBP108	1 1/2	3/8 x 3/16 x 4 1/8	2				4.4
	115TBP110	1 5/8	3/8 x 3/16 x 4 1/8	2				4.0
	115TBP111	1 11/16	3/8 x 3/16 x 4 1/8	2				3.7
	115TBP112	1 3/4	3/8 x 3/16 x 4 1/8	2				3.5
	115TBP115	1 15/16	1/2 x 1/4 x 4 1/8	2				2.7

Note: When using shafts smaller than the largest bushing bore shown for a specific reducer, shaft stress based on the transmitted load must always be checked.

Type SMTP TorqTaper® Plus Bushing Kits

Table No. 12 (Continued)

REDUCER SIZE	BUSHING NO.	BORE SIZE	SHAFT KEYSEAT REQUIRED	TYPE	STABILIZER RING WIDTH	BOLT TORQUE		WEIGHT
						BOLT SIZE	FT.LBS.	
203SMTP	203TBP103	1 3/16	1/4 x 1/8 x 4 5/8	1	0.980	3/8-16 x 1 1/4	29	7.5
	203TBP104	1 1/4	1/4 x 1/8 x 4 5/8	1				7.3
	203TBP105	1 5/16	5/16 x 5/32 x 4 5/8	1				7.1
	203TBP106	1 3/8	5/16 x 5/32 x 4 5/8	1				6.9
	203TBP107	1 7/16	3/8 x 3/16 x 4 5/8	1				6.6
	203TBP108	1 1/2	3/8 x 3/16 x 4 5/8	2				6.1
	203TBP110	1 5/8	3/8 x 3/16 x 4 5/8	2				5.9
	203TBP111	1 11/16	3/8 x 3/16 x 4 5/8	2				5.6
	203TBP112	1 3/4	3/8 x 3/16 x 4 5/8	2				5.4
	203TBP114	1 7/8	1/2 x 1/4 x 4 5/8	2				4.8
	203TBP115	1 15/16	1/2 x 1/4 x 4 5/8	2				4.4
	203TBP200	2	1/2 x 1/4 x 4 5/8	2				4.2
	203TBP203	2 3/16	1/2 x 1/4 x 4 5/8	2				3.1

207SMTP	207TBP106	1 3/8	5/16 x 5/32 x 5 1/8	1	1.040	3/8-16 x 1 1/4	29	9.6
	207TBP107	1 7/16	3/8 x 3/16 x 5 1/8	1				9.3
	207TBP108	1 1/2	3/8 x 3/16 x 5 1/8	1				9.1
	207TBP110	1 5/8	3/8 x 3/16 x 5 1/8	2				8.5
	207TBP111	1 11/16	3/8 x 3/16 x 5 1/8	2				8.3
	207TBP112	1 3/4	3/8 x 3/16 x 5 1/8	2				7.9
	207TBP114	1 7/8	1/2 x 1/4 x 5 1/8	2				7.3
	207TBP115	1 15/16	1/2 x 1/4 x 5 1/8	2				6.9
	207TBP200	2	1/2 x 1/4 x 5 1/8	2				6.6
	207TBP202	2 1/8	1/2 x 1/4 x 5 1/8	2				5.9
	207TBP203	2 3/16	1/2 x 1/4 x 5 1/8	2				5.5
	207TBP204	2 1/4	1/2 x 1/4 x 5 1/8	2				5.1
	207TBP207	2 7/16	5/8 x 5/16 x 5 1/8	2				3.9

215SMTP	215TBP107	1 7/16*	3/8 x 3/16 x 5 5/8	1	1.140	3/8-16 x 1 3/8	29	14.9
	215TBP108	1 1/2	3/8 x 3/16 x 5 5/8	1				14.5
	215TBP111	1 11/16	3/8 x 3/16 x 5 5/8	1				13.6
	215TBP112	1 3/4	3/8 x 3/16 x 5 5/8	1				13.2
	215TBP114	1 7/8	1/2 x 1/4 x 5 5/8	2				12.6
	215TBP115	1 15/16	1/2 x 1/4 x 5 5/8	2				12.2
	215TBP200	2	1/2 x 1/4 x 5 5/8	2				11.9
	215TBP203	2 3/16	1/2 x 1/4 x 5 5/8	2				10.7
	215TBP204	2 1/4	1/2 x 1/4 x 5 5/8	2				9.80
	215TBP207	2 7/16	5/8 x 5/16 x 5 5/8	2				8.90
	215TBP208	2 1/2	5/8 x 5/16 x 5 5/8	2				8.50
	215TBP211	2 11/16	5/8 x 5/16 x 5 5/8	2				7.00
	215TBP215	2 15/16	3/4 x 3/8 x 5 5/8	2				5.00

Note: When using shafts smaller than the largest bushing bore shown for a specific reducer, shaft stress based on the transmitted load must always be checked.