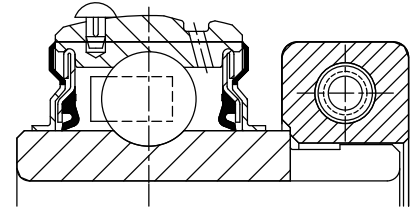
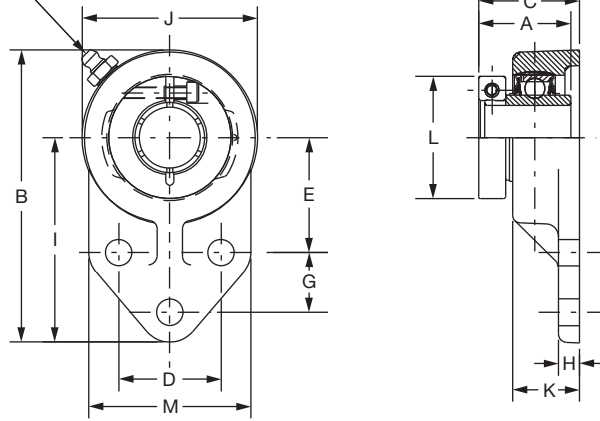


SELECTION/DIMENSIONS



D-LOK® Ball Bearings DL FB NORMAL DUTY 3-BOLT FLANGE BRACKET BEARINGS

Lube fitting thread size
1/8 - 27 NPT



Series	Shaft Size	Part No.	Description
204	3/4	128796	FB-DL-012
205	7/8	128797	FB-DL-014
	15/16	128798	FB-DL-015
	1	128799	FB-DL-100
206	1-1/8	128800	FB-DL-102
	1-3/16	128801	FB-DL-103
	1-1/4	128802	FB-DL-104S
207	1-1/4	128803	FB-DL-104
	1-3/8	128804	FB-DL-106
	1-7/16	128805	FB-DL-107
210	1-15/16	128806	FB-DL-115
	2	128807	FB-DL-200

@ Assembled to order

Series	Shaft Size	Weight lbs	A	B	C	D	E	F Bolt Dia.	G	H	I	J	K	L	M
204	3/4	0.80	1.28	4.25	1.39	1.50	1.69	3/8	0.88	0.31	3.00	2.50	0.98	1.71	2.38
205	7/8	0.95	1.44	4.75	1.60	1.63	1.81	3/8	1.13	0.38	3.38	2.75	1.11	1.99	2.50
	15/16	0.90													
	1	0.85													
206	1-1/8	1.50	1.56	5.38	1.69	1.88	2.06	3/8	1.25	0.38	3.75	3.25	1.13	2.22	2.75
	1-3/16	1.45													
	1-1/4	1.40													
207	1-1/4	1.85	1.75	6.13	1.91	2.00	2.37	1/2	1.25	0.50	4.25	3.75	1.31	2.69	3.25
	1-3/8	1.80													
	1-7/16	1.75													
210	1-15/16	5.7	2.01	7.50	2.14	2.75	2.94	1/2	1.63	0.50	5.19	4.63	1.50	3.24	4.00
	2	5.6													

FEATURES/BENEFITS PAGE B6-3	HOW TO ORDER/NOMENCLATURE PAGE B6-5	SELECTION/DIMENSIONS PAGE B6-10	ACCESSORIES PAGE B6-62
--------------------------------	--	------------------------------------	---------------------------