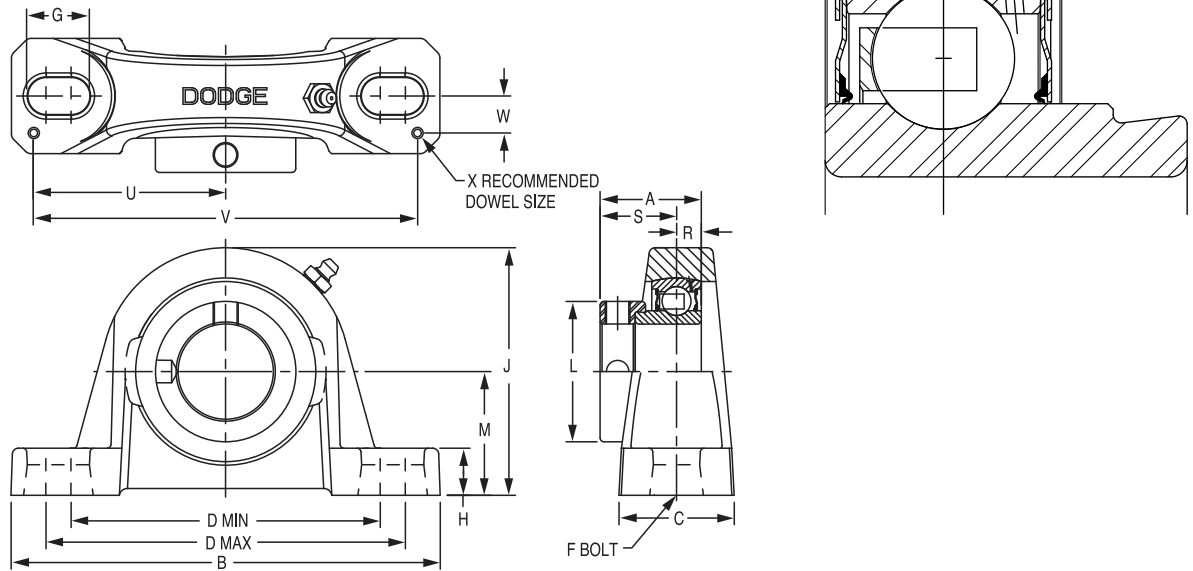




SELECTION/DIMENSIONS

Eccentric SXV Collar Ball Bearings SXV AND SXVU INTERMEDIATE DUTY PILLOW BLOCKS



Series	Shaft Size	Standard		No Lube/Sealed for Life (-NL)	
		Part No.	Description	Part No.	Description
203	1/2	130310	P2B-SXV-008	130276	P2B-SXV-008-NL
	5/8	130311	P2B-SXV-010	@	P2B-SXV-010-NL
	17mm	@	P2B-SXV-17M	@	P2B-SXV-17M-NL
203 (SXVU)	1/2	130324	P2B-SXVU-008	@	P2B-SXVU-008-NL
	5/8	130325	P2B-SXVU-010	@	P2B-SXVU-010-NL
	17mm	125711	P2B-SXVU-17M	@	P2B-SXVU-17M-NL
204	3/4	131970	P2B-SXV-012	131589	P2B-SXV-012-NL
	20mm	125712	P2B-SXV-20M	@	P2B-SXV-20M-NL
205	7/8	131971	P2B-SXV-014	053047	P2B-SXV-014-NL
	15/16	131972	P2B-SXV-015	@	P2B-SXV-015-NL
	1	131973	P2B-SXV-100	131996	P2B-SXV-100-NL
	25mm	125713	P2B-SXV-25M	@	P2B-SXV-25M-NL
206	1-1/16	131974	P2B-SXV-101	@	P2B-SXV-101-NL
	1-1/8	131975	P2B-SXV-102	@	P2B-SXV-102-NL
	1-3/16	131976	P2B-SXV-103	@	P2B-SXV-103-NL
	1-1/4	131977	P2B-SXV-104S	@	P2B-SXV-104S-NL
	30mm	@	P2B-SXV-30M	@	P2B-SXV-30M-NL
206 (SXVU)	1-1/16	131082	P2B-SXVU-101	@	P2B-SXVU-101-NL
	1-1/8	131083	P2B-SXVU-102	@	P2B-SXVU-102-NL
	1-3/16	131084	P2B-SXVU-103	053008	P2B-SXVU-103-NL
	1-1/4	131085	P2B-SXVU-104S	053042	P2B-SXVU-104S-NL
	30mm	125714	P2B-SXVU-30M	@	P2B-SXVU-30M-NL
207	1-1/4	131978	P2B-SXV-104	@	P2B-SXV-104-NL
	1-5/16	131979	P2B-SXV-105	@	P2B-SXV-105-NL
	1-3/8	131980	P2B-SXV-106	@	P2B-SXV-106-NL
	1-7/16	131981	P2B-SXV-107	058275	P2B-SXV-107-NL
	35mm	125715	P2B-SXV-35M	@	P2B-SXV-35M-NL

@ Assembled to order

FEATURES/BENEFITS PAGE B9-2	SELECTION PAGE B9-6	HOW TO ORDER/NOMENCLATURE PAGE B7-5	MODIFICATIONS/ACCESSORIES PAGE B9-36
--------------------------------	------------------------	--	---

SELECTION/DIMENSIONS



Eccentric SXV Collar Ball Bearings SXV AND SXVU INTERMEDIATE DUTY PILLOW BLOCKS

Eccentric Collar Ball Bearing

Setscrew YSC Ball Bearing

Eccentric SXV Collar Ball Bearing

Series	Shaft Size	Weight lbs. kg.	A	B	C	D		F Bolt Dia.	G	H	J	L	M	R	S	U	V	W	X	
						min.	max.													
203	1/2	1.20	1.13	5.00	1.20	3.25	4.06	3/8	0.84	0.47	2.14	1.13	1.06	0.26	0.87	2.25	4.50	0.38	0.12	
	5/8	1.10																		
	17mm	0.50	28.7	127.0	30.5	82.6	103.1	M10	21.3	11.9	54.4	28.7	27.0	6.6	22.1	57.2	114.3	9.7	3.0	
203 (SXVU)	1/2	1.40	1.13	5.00	1.20	3.25	4.06	3/8	0.84	0.59	2.27	1.13	1.19	0.26	0.87	2.25	4.50	0.38	0.12	
	5/8	1.20																		
	17mm	0.60	28.7	127.0	30.5	82.6	103.1	M10	21.3	15.0	57.7	28.7	30.2	6.6	22.1	57.2	114.3	9.7	3.0	
204	3/4	1.40	1.22	5.25	1.34	3.38	4.19	3/8	0.85	0.53	2.56	1.31	1.31	0.30	0.92	2.25	4.50	0.50	0.12	
	20mm	0.60	31.0	133.4	34.0	85.9	106.4	M10	21.6	13.5	65.0	33.3	33.3	7.6	23.4	57.2	114.3	12.7	3.0	
205	7/8	1.90	1.22	5.50	1.40	3.69	4.50	3/8	0.85	0.58	2.77	1.50	1.44	0.30	0.92	2.50	5.00	0.50	0.12	
	15/16	1.80																		
	1	1.70																		
206	25mm	0.80	31.0	139.7	35.6	93.7	114.3	M10	21.6	14.7	70.4	38.1	36.5	7.6	23.4	63.5	127.0	12.7	3.0	
	1-1/16	2.90	1.41	6.25	1.75	4.25	5.00	1/2	0.94	0.68	3.25	1.75	1.63	0.35	1.05	2.88	5.76	0.56	0.12	
	1-1/8	2.80																		
	1-3/16	2.70																		
	1-1/4	2.60																		
30mm	1.20	35.8	158.8	44.5	108.0	127.0	M12	23.9	17.3	82.6	44.5	41.3	8.9	26.7	73.2	146.3	14.2	3.0		
206 (SXVU)	1-1/16	3.00	1.41	6.25	1.75	4.25	5.00	1/2	0.94	0.75	3.31	1.75	1.69	0.35	1.05	2.88	5.76	0.56	0.12	
	1-1/8	2.90																		
	1-3/16	2.80																		
	1-1/4	2.70																		
	30mm	1.20	35.8	158.8	44.5	108.0	127.0	M12	23.9	19.1	84.1	44.5	42.9	8.9	26.7	73.2	146.3	14.2	3.0	
207	1-1/4	4.40	1.53	6.50	1.75	4.68	5.44	1/2	0.94	0.71	3.75	2.13	1.88	0.37	1.16	2.91	5.82	0.56	0.12	
	1-5/16	4.30																		
	1-3/8	4.30																		
	1-7/16	4.20																		
	35mm	1.90	38.9	165.1	44.5	118.9	138.2	M12	23.9	18.0	95.3	54.1	47.6	9.4	29.5	73.9	147.8	14.2	3.0	

Take-Up Frames

Engineering

Part Number Index

Keyword Index

FEATURES/BENEFITS PAGE B9-2	SELECTION PAGE B9-6	HOW TO ORDER/NOMENCLATURE PAGE B7-5	MODIFICATIONS/ACCESSORIES PAGE B9-36
--------------------------------	------------------------	--	---