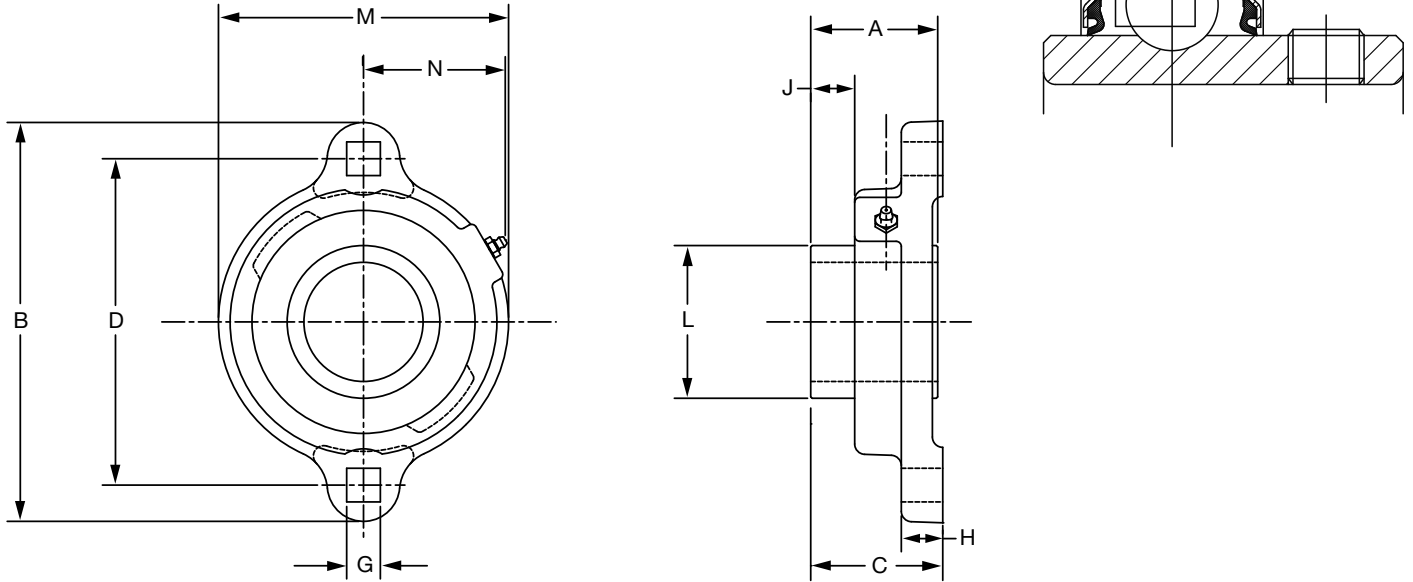


SELECTION/DIMENSIONS



Setscrew Ball Bearings SC LFT DUTY 2-BOLT FLANGE BEARINGS



Series	Shaft Size	Standard		Sealed for Life (No Lube)	
		Part No.	Description	Part No.	Description
203	1/2	124640	LFT-SC-008	124660	LFT-SC-008-NL
	5/8	124641	LFT-SC-010	124661	LFT-SC-010-NL
	17mm	130362	LFT-SC-17M	@	LFT-SC-17M-NL
204	3/4	124642	LFT-SC-012	124662	LFT-SC-012-NL
	20mm	130363	LFT-SC-20M	062260	LFT-SC-20M-NL
205	7/8	124643	LFT-SC-014	124663	LFT-SC-014-NL
	15/16	124644	LFT-SC-015	124664	LFT-SC-015-NL
	1	124645	LFT-SC-100	124665	LFT-SC-100-NL
	25mm	130364	LFT-SC-25M	068996	LFT-SC-25M-NL
206	1-1/16	124646	LFT-SC-101	124666	LFT-SC-101-NL
	1-1/8	124647	LFT-SC-102	124667	LFT-SC-102-NL
	1-3/16	124648	LFT-SC-103	124668	LFT-SC-103-NL
	1-1/4	124649	LFT-SC-104S	124669	LFT-SC-104S-NL
	30mm	130365	LFT-SC-30M	@	LFT-SC-30M-NL
207	1-1/4	124650	LFT-SC-104	124670	LFT-SC-104-NL
	1-5/16	124651	LFT-SC-105	124671	LFT-SC-105-NL
	1-3/8	124652	LFT-SC-106	124672	LFT-SC-106-NL
	1-7/16	124653	LFT-SC-107	124673	LFT-SC-107-NL
	35mm	130366	LFT-SC-35M	@	LFT-SC-35M-NL

* No lube fitting required in the SCLFT NoLube

@ Assembled to order.

FEATURES/BENEFITS PAGE B4-3	HOW TO ORDER/NOMENCLATURE PAGE B4-5	SELECTION PAGE B4-6	ACCESSORIES PAGE B4-98
--------------------------------	--	------------------------	---------------------------

SELECTION/DIMENSIONS



Setscrew Ball Bearings SC LFT DUTY 2-BOLT FLANGE BEARINGS

Bearing Reference Guide

ULTRA KLEEN

E-Z KLEEN

Extreme Duty

Setscrew Ball Bearing

GRIP TIGHT

D-LOK Ball Bearing

Series	Shaft Size	Weight lbs. kgs.	A	B	C	D	G	H	J	L	M	N
203	1/2	0.60	1.00	3.19	1.05	2.50	0.28	0.38	0.33	0.96	2.13	1.23
	5/8	0.55										
	17mm	0.27	25.4	81.0	26.7	63.5	7.1	9.7	8.4	24.4	54.1	31.2
204	3/4	0.80	1.02	3.56	1.21	2.81	0.34	0.42	0.36	1.12	2.38	1.34
	20mm	0.36	25.9	90.4	30.7	71.4	8.6	10.7	9.1	28.4	60.5	34.0
205	7/8	0.95	1.06	3.75	1.24	3.00	0.34	0.42	0.37	1.32	2.63	1.44
	15/16	0.90										
	1	0.85										
	25mm	0.43	26.9	95.3	31.5	76.2	8.6	10.7	9.4	33.5	66.8	36.6
206	1-1/16	1.50	1.26	4.44	1.45	3.56	0.41	0.47	0.46	1.57	3.25	1.72
	1-1/8	1.45										
	1-3/16	1.40										
	1-1/4	1.35										
	30mm	0.67	32.0	112.8	36.8	90.4	10.4	11.9	11.7	39.9	82.6	43.7
207	1-1/4	1.85	1.40	4.82	1.59	3.94	0.41	0.50	0.52	1.84	3.50	1.83
	1-5/16	1.80										
	1-3/8	1.75										
	1-7/16	1.70										
	35mm	0.81	35.6	122.4	40.4	100.1	10.4	12.7	13.2	46.7	88.9	46.5

FEATURES/BENEFITS PAGE B4-3	HOW TO ORDER/NOMENCLATURE PAGE B4-5	SELECTION PAGE B4-6	ACCESSORIES PAGE B4-98
--------------------------------	--	------------------------	---------------------------