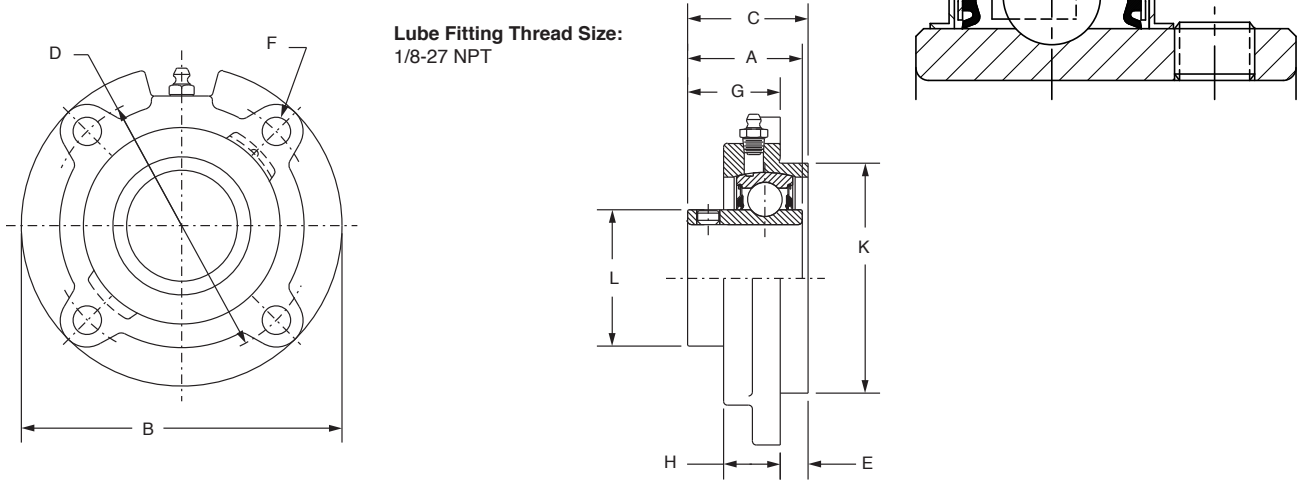


SELECTION/DIMENSIONS



Setscrew Ball Bearings SC NORMAL DUTY PILOTED FLANGE BEARINGS



Series	Shaft Size	Part No.	Description
206	1-1/16	124578	FC-SC-101
	1-1/8	124582	FC-SC-102
	1-3/16	124579	FC-SC-103
	1-1/4	124587	FC-SC-104S
	30mm	125865	FC-SC-30M
207	1-1/4	124224	FC-SC-104
	1-5/16	124237	FC-SC-105
	1-3/8	124235	FC-SC-106
	1-7/16	124236	FC-SC-107
	35mm	125866	FC-SC-35M
208	1-1/2	124225	FC-SC-108
	1-5/8	124226	FC-SC-110
	40mm	125867	FC-SC-40M
209	1-5/8	065644	FC-SC-110L
	1-11/16	124227	FC-SC-111
	1-3/4	124228	FC-SC-112
210	45mm	125868	FC-SC-45M
	1-15/16	124229	FC-SC-115
	2	124230	FC-SC-200
211	50mm	125869	FC-SC-50M
	2	126175	FC-SCM-200
	2-3/16	124231	FC-SC-203
	2-1/4	124232	FC-SC-204
212	55mm	125870	FC-SC-55M
	2-1/4	126177	FC-SCM-204
	2-7/16	124233	FC-SC-207
	60mm	125871	FC-SC-60M
214	2-1/2	126179	FC-SCM-208
	2-11/16	124729	FC-SC-211
	70mm	125872	FC-SC-70M

@ Assembled to order

FEATURES/BENEFITS PAGE B4-3	HOW TO ORDER/NOMENCLATURE PAGE B4-5	SELECTION PAGE B4-6	ACCESSORIES PAGE B4-98
--------------------------------	--	------------------------	---------------------------

SELECTION/DIMENSIONS



Setscrew Ball Bearings SC NORMAL DUTY PILOTED FLANGE BEARINGS

Bearing Reference Guide

ULTRA KLEEN

E-Z KLEEN

Extreme Duty

Setscrew Ball Bearing

GRIP TIGHT

D-LOK Ball Bearing

Series	Shaft Size	Weight lbs. kgs.	A	B	C	D	E	F Bolt Dia.	G	H	K	L
206	1-1/16	3.2	1.52	4.38	1.53	3.63	0.25	3/8	1.28	0.81	3.000/2.998	1.57
	1-1/8	3.1										
	1-3/16	3.0										
	1-1/4	2.9										
	30mm	1.3	38.6	111.3	38.9	92.2	6.4	M10	32.5	20.6	76.20/76.15	39.9
207	1-1/4	4.2	1.71	5.00	1.78	4.13	0.38	3/8	1.40	0.84	3.375/3.373	1.84
	1-5/16	4.1										
	1-3/8	4.0										
	1-7/16	3.9										
	35mm	1.8	43.4	127.0	45.2	104.9	9.7	M10	35.6	21.3	85.73/85.67	46.7
208	1-1/2	4.6	1.94	5.25	1.98	4.38	0.44	7/16	1.54	0.89	3.625/3.623	2.05
	1-5/8	4.5										
	40mm	2.0	49.3	133.4	50.3	111.3	11.2	M12	39.1	22.6	92.08/92.02	52.1
209	1-5/8	5.6	1.94	5.75	1.95	4.75	0.44	1/2	1.51	0.91	4.000/3.998	2.22
	1-11/16	5.5										
	1-3/4	5.4										
	45mm	2.4	49.3	146.1	49.5	120.7	11.2	M12	38.4	23.1	101.60/101.55	56.4
210	1-15/16	6.4	1.94	6.13	1.98	5.13	0.47	1/2	1.51	0.92	4.250/4.248	2.43
	2	6.3										
	50mm	2.9	49.3	155.7	50.3	130.3	11.9	M12	38.4	23.4	107.95/107.90	61.7
211	2	7.3	2.22	6.38	2.35	5.38	0.63	1/2	1.72	1.00	4.500/4.498	2.71
	2-3/16	7.2										
	2-1/4	7.1										
	55mm	3.3	56.4	162.1	59.7	136.7	16.0	M12	43.7	25.4	114.30/114.25	68.8
212	2-1/4	9.6	2.31	7.13	2.54	6.00	0.88	1/2	1.67	1.00	5.000/4.998	2.97
	2-7/16	9.5										
	60mm	4.3	58.7	181.1	64.5	152.4	22.4	M12	42.4	25.4	127.00/126.95	75.4
214	2-1/2	13.0	2.54	7.63	2.80	6.50	1.13	1/2	1.67	1.06	5.500/5.498	3.31
	2-11/16	12.9										
	70mm	5.5	64.5	193.8	71.1	165.1	28.7	M12	42.4	26.9	139.70/139.65	84.1

FEATURES/BENEFITS PAGE B4-3	HOW TO ORDER/NOMENCLATURE PAGE B4-5	SELECTION PAGE B4-6	ACCESSORIES PAGE B4-98
--------------------------------	--	------------------------	---------------------------