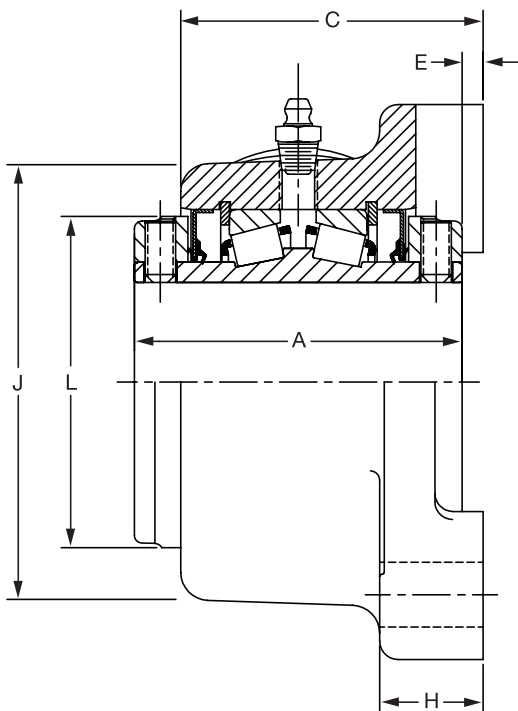
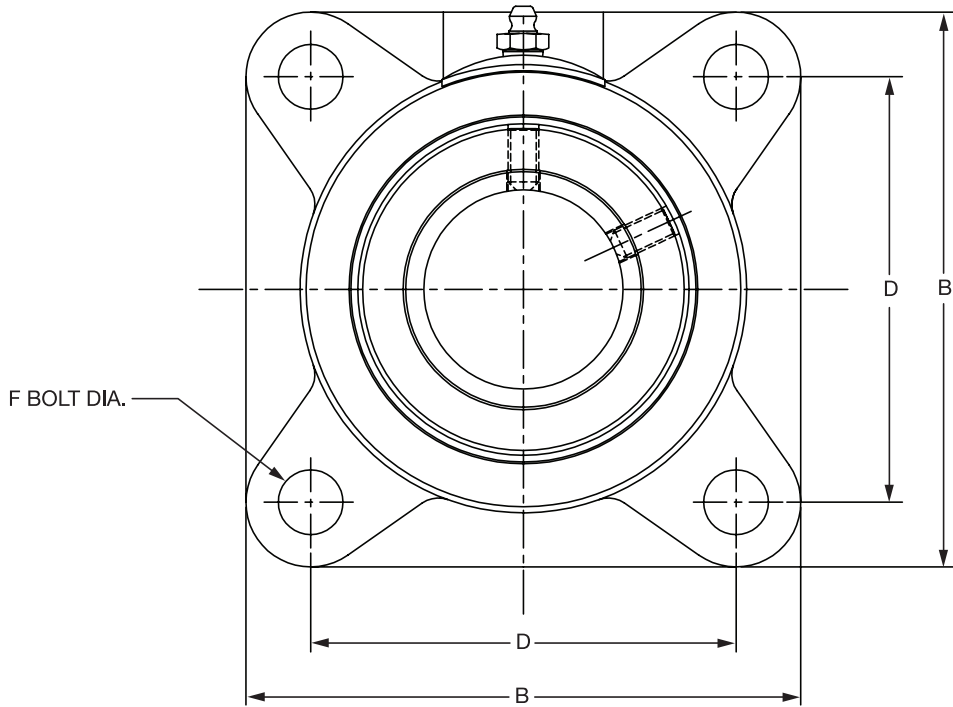


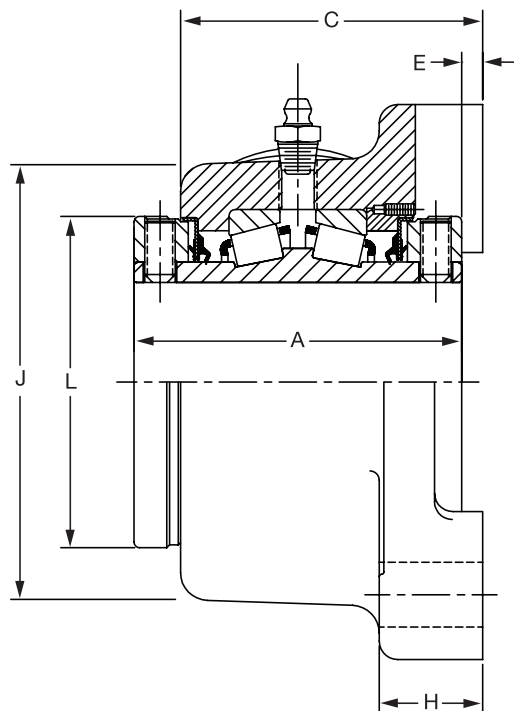
SELECTION/DIMENSIONS



Type E-Xtra Flange Bearing - Inch 4-BOLT BASE



1-3/16" THRU 3" CONSTRUCTION



3-3/16" THRU 4-1/2" CONSTRUCTION

FEATURES/BENEFITS PAGE B10-2	HOW TO ORDER/NOMENCLATURE PAGE B10-9	EASY SELECTION PAGE B10-15	ACCESSORIES PAGE B10-64
---------------------------------	---	-------------------------------	----------------------------

SELECTION/DIMENSIONS



Type E-Xtra Flange Bearing - Inch 4-BOLT BASE

Gray Iron			
Shaft Size Inches #	Part Number	Part Name	Weight Lbs (Approx)
1-3/16	023093	F4B-E-103R	4
1-1/4	023094	F4B-E-104R	4
1-3/8	023095	F4B-E-106R	7
1-7/16	023096	F4B-E-107R	7
1-1/2	023097	F4B-E-108R	11
1-5/8	023098	F4B-E-110R	11
1-11/16	023099	F4B-E-111R	11
1-3/4	023100	F4B-E-112R	12
1-7/8	023101	F4B-E-114R	12
1-15/16	023102	F4B-E-115R	12
2	023103	F4B-E-200R	12
2-3/16	023104	F4B-E-203R	15
2-1/4	023105	F4B-E-204R	21
2-7/16	023106	F4B-E-207R	20
2-1/2	023107	F4B-E-208R	19
2-11/16	023108	F4B-E-211R	28
2-3/4	023109	F4B-E-212R	28
2-15/16	023110	F4B-E-215R	27
3	023111	F4B-E-300R	26
3-3/16	023112	F4B-E-303R	52
3-1/4	023113	F4B-E-304R	51
3-7/16	023114	F4B-E-307R	50
3-1/2	023115	F4B-E-308R	50
3-15/16	023116	F4B-E-315R	75
4	023117	F4B-E-400R	75
4-7/16	023118	F4B-E-407R	90
4-1/2	023119	F4B-E-408R	90

Consult DODGE For Sizes Not Listed.

Shaft Size Inches	A	B	C	D	E	F Bolt Dia.	H	J	L
1-3/16	2.81	3.75	2.34	2.88	0.06	3/8	1.00	2.94	2.25
1-1/4									
1-3/8	3.06	4.63	2.59	3.50	0.06	1/2	1.06	3.50	2.75
1-7/16									
1-1/2	3.50	5.38	2.97	4.13	0.13	1/2	1.19	4.19	3.19
1-5/8									
1-11/16									
1-3/4	3.63	5.63	3.09	4.38	0.13	1/2	1.19	4.44	3.44
1-7/8									
1-15/16									
2									
2-3/16	3.88	6.25	3.28	4.88	0.13	5/8	1.38	4.88	3.75
2-1/4									
2-7/16									
2-1/2									
2-11/16	4.69	7.75	3.94	6.00	0.19	3/4	1.63	6.00	4.72
2-3/4									
2-15/16									
3									
3-3/16	5.25	9.25	4.50	7.00	0.25	3/4	1.88	7.25	5.50
3-1/4									
3-7/16									
3-1/2									
3-15/16	6.50	10.25	5.63	7.75	0.25	7/8	2.13	8.25	6.00
4									
4-7/16	7.09	10.88	5.94	8.75	0.34	7/8	2.44	8.75	6.45
4-1/2									

NOTE: All sizes use a 1/8-27 NPT hydraulic grease fitting

FEATURES/BENEFITS PAGE B10-2	HOW TO ORDER/NOMENCLATURE PAGE B10-9	EASY SELECTION PAGE B10-15	ACCESSORIES PAGE B10-64
---------------------------------	---	-------------------------------	----------------------------